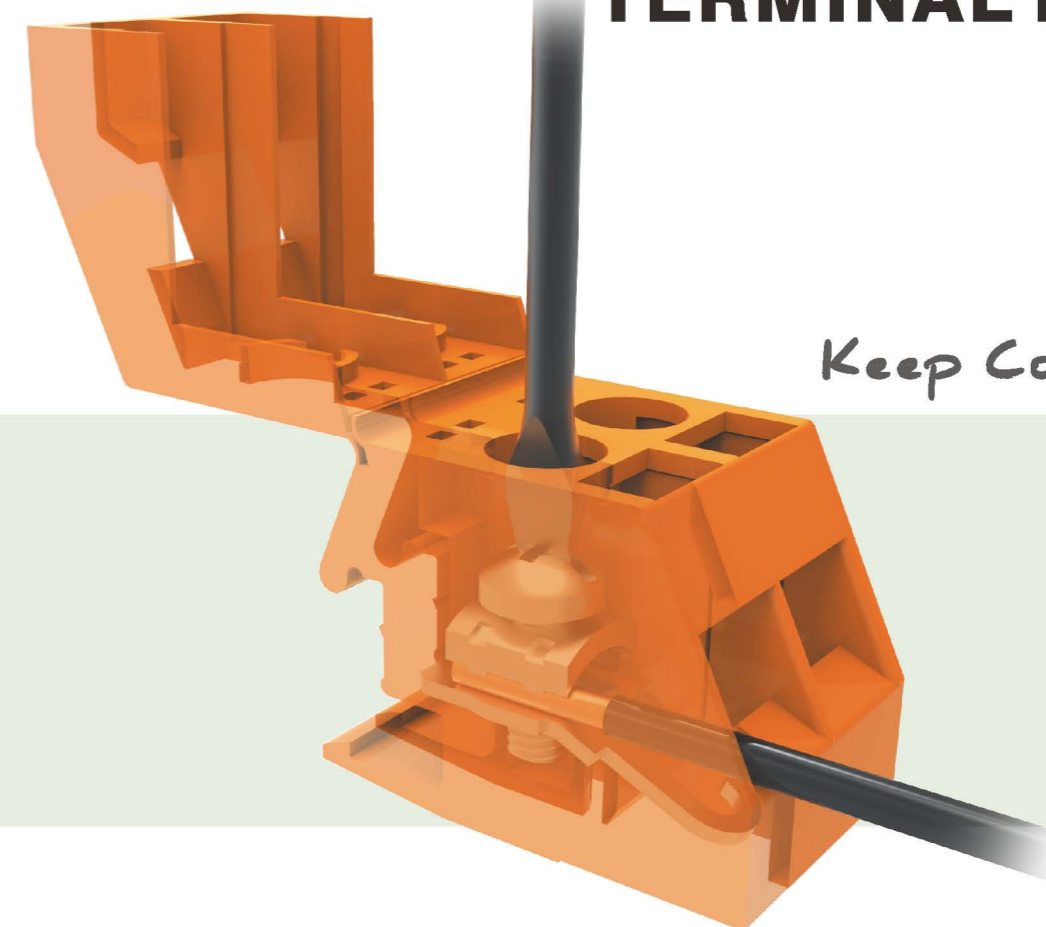


TRANSFORMER TERMINAL BLOCKS



Keep Connecting



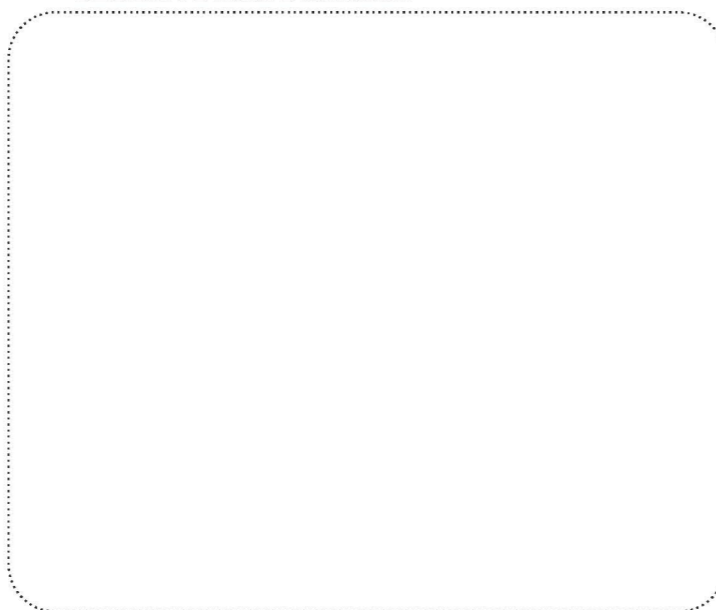
DEGSON ELECTRONICS CO.,LTD.
 Add : No.1585.Xiaolin Road.Cixi.Ningbo China
 P.C. : 315321
 Tel : +86-574-63504333
 Fax : +86-574-63512345
 E-mail : sale@degson.com
 www.degson.com

DEGSON Germany GmbH

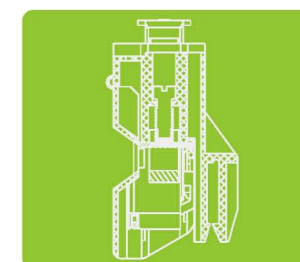
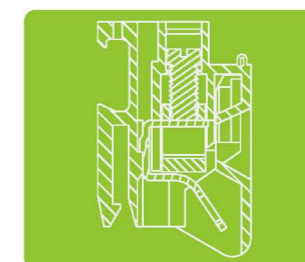
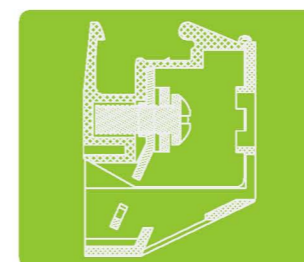
Add : Lindley str. 22-25
 DE-60314 Frankfurt/Main
 Tel : +49(0)6990 43 72 98
 Fax : +49(0)6990 43 72 97
 E-mail : sale.de@degson.com
 www.degson.de



DEGSON Official Distributor:



The catalog is only for reference,and the detail data mustbe based on our company's specification!




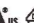


DEGSON ELECTRONICS CO.,LTD.

ISO9001 ISO14001   CE  CB RoHS REACH

IC-14-02
 Edition:T78



Brief Introduction

Founded in 1990, DEGSON Electronics Co., Ltd is one of the biggest manufacturers of terminal blocks and precise moulds in Asia. The headquarter and factory are located in Ningbo which is close to Shanghai. DEGSON has been granted ISO9001 and ISO14001 management system certifications. The comprehensive product line has more than 1000 models and 12000 types which have been approved by     CB RoHS REACH. DEGSON laboratory is first one in Asia which passes UL and VDE approved laboratory certification.

DEGSON produces about 1 billion poles of terminal blocks per year and sells well to USA ,Germany, UK, Japan, South Korea, South Africa.....totally more than 70 countries and regions. We provides good quality products and service to the users of industrial automation, instrument, elevator, power, transportation, new energy, lighting, telecommunication, power supply, security, shipbuilding industries etc.

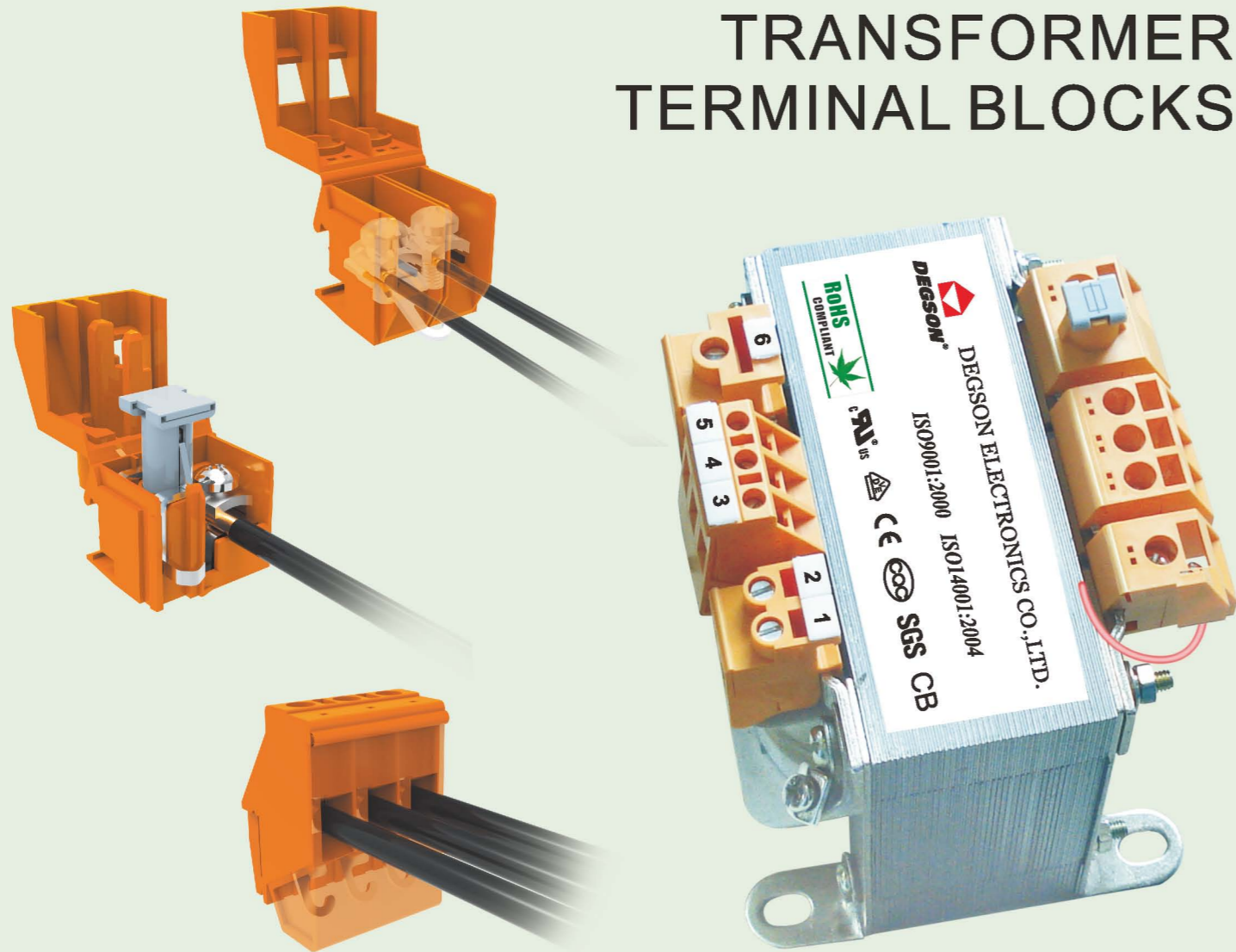
DEGSON sales network covers all over the world , working closely with local distributors to provide faster response, more comprehensive local service and technical support.



- Cixi Xiaolin DengGao Electronics Factory was established in 1990.
- 2000 Settled in No.333 Xiaolin Road . Cixi, Zhejiang, renamed Degson Electronics Co.,Ltd. Degson products have got UL、 VDE、 CE、 CQC、 and so on and exported to more than 70 countries and regions.
- The trade mark of **DEGSON**® has been registered in more than 90 countries and areas all over the world from 2001 to now days. Products made by **DEGSON**® are very famous in China and well sold all over the world.
- DEGSON has been granted ISO9001:2000 management system certification in 2005.
- DEGSON has been granted ISO14001:2004 management system certification in 2006.
- The first VDE external test was well carried out by VDE engineer in 2007.
- Two times of VDE external test were carried out by VDE engineer in 2008.
- DEGSON (Germany) branch company was established in 2009
- VDE formally authorized the certification of "Authorization of VDE" to DEGSON's Lab in 2010.
- DEGSON launched digital management system: CRM,ERP,PDM,OA in 2012.
- In 2013 ,DEGSON laboratory is first one in Asia which passes UL and VDE approved laboratory certification.

Capital Asset	\$12 million
Turnover	\$50.0 million
Production Area	48,137m ²
Dormitory Area	14,214m ²
Staff	1,100

TRANSFORMER TERMINAL BLOCKS



- Solid block with clamshell for convenient wiring
- Voltage range : 250V-750V
- Current range : 24A-57A
- Available with overload protection function
- RoHS REACH approval



TZB4 → TSB2.5, TSB4, TSC4, TSC6, TSCB4, TSA2.5, TSA4, TSC10, TSCF4, TSCW4

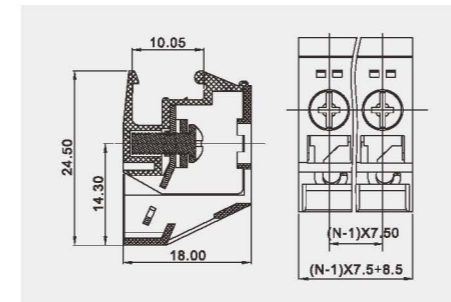


TSZB4 → TS2.5, TS4, TS10, TSF2.5

Instructions:
Set up marks on the connector, to prevent mistake connection. Used on the male & female terminal block.



TS2.5



Pitch: 7.5mm; Poles: 2P,3P

APPROVAL:

※Electrical

IEC/DIN VDE Technical data

Rated current	24A
Rated insulation voltage with pollution degree2	250V
Surge voltage category /pollution degree	— — —
Rated insulation voltage	— — —
Rated surge voltage	— — —
UL/CUL(Approval data) Use Group	B C D
Rated voltage	300V 300V —
Rated current	10A 10A —
Connection capacity	24-14AWG
Solid/stranded	0.5-2.5mm ² /0.5-2.5mm ²
Stranded with ferrule without plastic sleeve	—
Stranded with ferrule with plastic sleeve	—
Multiple connection(2 conductors with same cross section)	—
Solid/stranded	—
Stranded with ferrule without plastic sleeve	—
Stranded with TWIN ferrule with plastic sleeve	—

※Mechanical

Torque	0.5Nm(4.4Lb-In.)
Ambient temperature	-40°C~+105°C
Stripping length	8-10mm

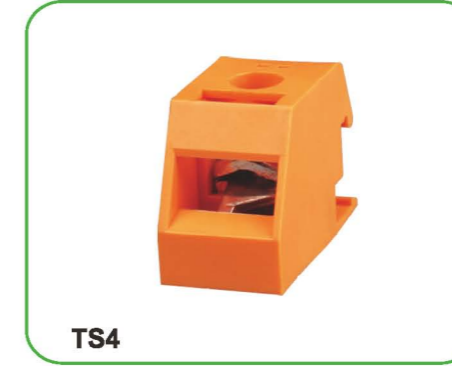
※Dimensions

Pitch	7.5mm(.295")
Poles	2P,3P

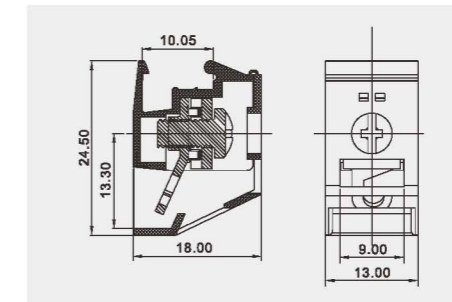
※Material

Housing	PA66,UL94V-0
Contact	Copper alloy
Screws	M3,steel,Cr ³⁺ Zn plated

Product model	Pcs./Pkt.	Product model	Pcs./Pkt.
—	—	—	—
TS2.5-02P	600	—	—
TS2.5-03P	400	—	—
—	—	—	—
—	—	—	—



TS4



Pitch: 13.0mm; Poles: 1P

APPROVAL:

※Electrical

IEC/DIN VDE Technical data

Rated current	32A
Rated insulation voltage with pollution degree2	250V
Surge voltage category /pollution degree	— — —
Rated insulation voltage	— — —
Rated surge voltage	— — —
UL/CUL(Approval data) Use Group	B C D
Rated voltage	300V 300V 300V
Rated current	20A 20A 10A
Connection capacity	20-12AWG
Solid/stranded	0.75-4.0mm ² /0.75-4.0mm ²
Stranded with ferrule without plastic sleeve	—
Stranded with ferrule with plastic sleeve	—
Multiple connection(2 conductors with same cross section)	—
Solid/stranded	—
Stranded with ferrule without plastic sleeve	—
Stranded with TWIN ferrule with plastic sleeve	—

※Mechanical

Torque	1.2Nm(10.5Lb-In.)
Ambient temperature	-40°C~+105°C
Stripping length	8-10mm

※Dimensions

Pitch	13.0mm(.512")
Poles	1P

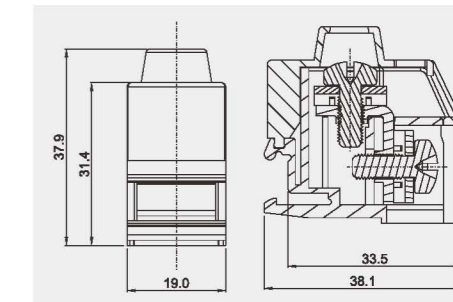
※Material

Housing	PA66,UL94V-0
Contact	Copper alloy
Screws	M4,steel,Cr ³⁺ Zn plated

Product model	Pcs./Pkt.	Product model	Pcs./Pkt.
—	—	—	—
TS4-01P	450	—	—
—	—	—	—
—	—	—	—
—	—	—	—



TS10



Pitch: 19.0mm; Poles: 1P

APPROVAL:

※Electrical

IEC/DIN VDE Technical data

Rated current	57A
Rated insulation voltage with pollution degree2	750V
Surge voltage category /pollution degree	— — —
Rated insulation voltage	— — —
Rated surge voltage	— — —
UL/CUL(Approval data) Use Group	B C D
Rated voltage	300V 300V —
Rated current	55A 55A —
Connection capacity	12-6AWG
Solid/stranded	4.0-10.0mm ² /4.0-10.0mm ²
Stranded with ferrule without plastic sleeve	—
Stranded with ferrule with plastic sleeve	—
Multiple connection(2 conductors with same cross section)	—
Solid/stranded	—
Stranded with ferrule without plastic sleeve	—
Stranded with TWIN ferrule with plastic sleeve	—

※Mechanical

Torque	2.0Nm(17.5Lb-In.)
Ambient temperature	-40°C~+105°C
Stripping length	8-10mm

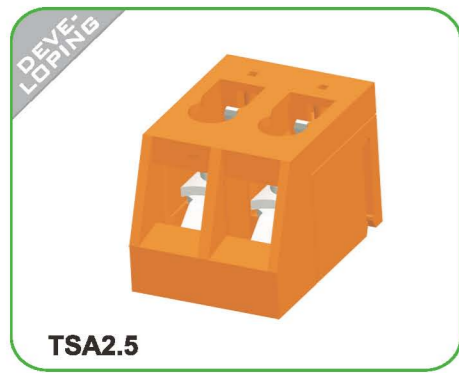
※Dimensions

Pitch	19.0mm(.748")
Poles	1P

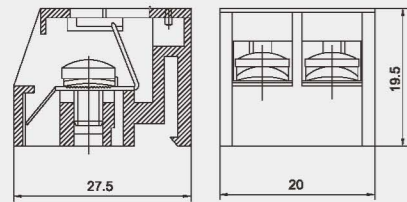
※Material

Housing	PA66,UL94V-0
Contact	Copper alloy
Screws	M5,steel,Cr ³⁺ Zn plated

Product model	Pcs./Pkt.	Product model	Pcs./Pkt.
—	—	—	—
TS10-01P	165	—	—
—	—	—	—
—	—	—	—
—	—	—	—



TSA2.5



Pitch: 9.5mm; Poles: 2P

※Electrical

IEC/DIN VDE Technical data	
Rated current	24 A
Rated insulation voltage with pollution degree2	250 V
Surge voltage category /pollution degree	— — —
Rated insulation voltage	— — —
Rated surge voltage	— — —
UL/CUL(Approval data) Use Group	B C D
Rated voltage	600V — —
Rated current	10A — —
Connection capacity	24-14AWG
Solid/stranded	0.5-2.5mm ² /0.5-2.5mm ²
Stranded with ferrule without plastic sleeve	—
Stranded with ferrule with plastic sleeve	—
Multiple connection(2 conductors with same cross section)	—
Solid/stranded	—
Stranded with ferrule without plastic sleeve	—
Stranded with TWIN ferrule with plastic sleeve	—

※Mechanical

Torque	0.5Nm(4.4Lb-In.)
Ambient temperature	-40°C~+105°C
Stripping length	8-10mm
※Dimensions	
Pitch	9.5mm(.374")
Poles	2P

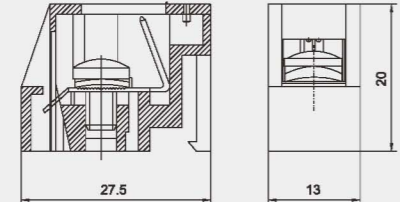
※Material

Housing	PA66,UL94V-0
Contact	Copper alloy
Screws	M3,steel,Cr ³⁺ Zn plated

Product model	Pcs./Pkt.	Product model	Pcs./Pkt.
TSA2.5-02P	—	—	—
—	—	—	—
—	—	—	—
—	—	—	—



TSA4



Pitch: 13.0mm; Poles: 1P

※Electrical

IEC/DIN VDE Technical data	
Rated current	32 A
Rated insulation voltage with pollution degree2	450 V
Surge voltage category /pollution degree	— — —
Rated insulation voltage	— — —
Rated surge voltage	— — —
UL/CUL(Approval data) Use Group	B C D
Rated voltage	600V — —
Rated current	30A — —
Connection capacity	24-10AWG
Solid/stranded	0.5-4.0mm ² /0.5-4.0mm ²
Stranded with ferrule without plastic sleeve	—
Stranded with ferrule with plastic sleeve	—
Multiple connection(2 conductors with same cross section)	—
Solid/stranded	—
Stranded with ferrule without plastic sleeve	—
Stranded with TWIN ferrule with plastic sleeve	—

※Mechanical

Torque	1.2Nm(10.5Lb-In.)
Ambient temperature	-40°C~+105°C
Stripping length	8-10mm
※Dimensions	
Pitch	13.0mm(.512")
Poles	1P

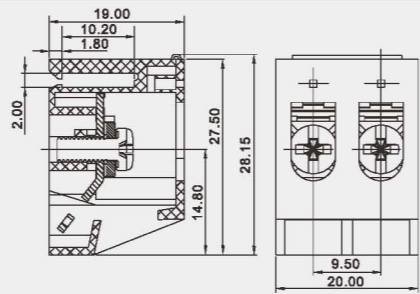
※Material

Housing	PA66,UL94V-0
Contact	Copper alloy
Screws	M4,steel,Cr ³⁺ Zn plated

Product model	Pcs./Pkt.	Product model	Pcs./Pkt.
TSA4-01P	—	—	—
—	—	—	—
—	—	—	—
—	—	—	—



TSB2.5



Pitch: 9.5mm; Poles: 2P,3P

APPROVAL:

※Electrical

IEC/DIN VDE Technical data	
Rated current	24 A
Rated insulation voltage with pollution degree2	250 V
Surge voltage category /pollution degree	— — —
Rated insulation voltage	— — —
Rated surge voltage	— — —
UL/CUL(Approval data) Use Group	B C D
Rated voltage	300V 300V 600V
Rated current	10A 10A 5A
Connection capacity	20-12AWG
Solid/stranded	0.5-2.5mm ² /0.5-2.5mm ²
Stranded with ferrule without plastic sleeve	—
Stranded with ferrule with plastic sleeve	—
Multiple connection(2 conductors with same cross section)	—
Solid/stranded	—
Stranded with ferrule without plastic sleeve	—
Stranded with TWIN ferrule with plastic sleeve	—

※Mechanical

Torque	0.5Nm(4.4Lb-In.)
Ambient temperature	-40°C~+105°C
Stripping length	8-10mm
※Dimensions	
Pitch	9.5mm(.374")
Poles	2P,3P

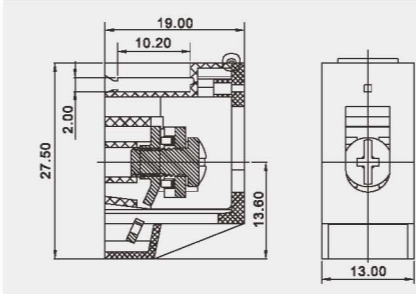
※Material

Housing	PA66,UL94V-0
Contact	Copper alloy
Screws	M3,steel,Cr ³⁺ Zn plated

Product model	Pcs./Pkt.	Product model	Pcs./Pkt.
TSB2.5-02P	450	—	—
TSB2.5-03P	310	—	—
—	—	—	—
—	—	—	—



TSB4



Pitch: 13.0mm; Poles:1P

APPROVAL:

※Electrical

IEC/DIN VDE Technical data	
Rated current	32 A
Rated insulation voltage with pollution degree2	450 V
Surge voltage category /pollution degree	— — —
Rated insulation voltage	— — —
Rated surge voltage	— — —
UL/CUL(Approval data) Use Group	B C D
Rated voltage	600V 600V 600V
Rated current	30A 30A 5A
Connection capacity	20-12AWG
Solid/stranded	0.5-4.0mm ² /0.5-4.0mm ²
Stranded with ferrule without plastic sleeve	—
Stranded with ferrule with plastic sleeve	—
Multiple connection(2 conductors with same cross section)	—
Solid/stranded	—
Stranded with ferrule without plastic sleeve	—
Stranded with TWIN ferrule with plastic sleeve	—

※Mechanical

Torque	1.2Nm(10.5Lb-In.)
Ambient temperature	-40°C~+105°C
Stripping length	8-10mm
※Dimensions	
Pitch	13.0mm(.512")
Poles 极数	1P

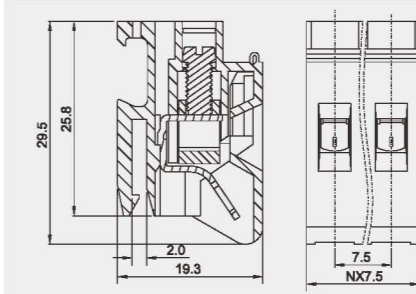
※Material

Housing	PA66,UL94V-0
Contact	Copper alloy
Screws	M4,steel,Cr ³⁺ Zn plated

Product model	Pcs./Pkt.	Product model	Pcs./Pkt.
TSB4-01P	300	—	—
—	—	—	—
—	—	—	—
—	—	—	—



TSC4



Pitch: 7.5mm; Poles: 1P,2P

APPROVAL:

※Electrical

IEC/DIN VDE Technical data	
Rated current	32 A
Rated insulation voltage with pollution degree2	750 V
Surge voltage category /pollution degree	— — —
Rated insulation voltage	— — —
Rated surge voltage	— — —
UL/CUL(Approval data) Use Group	B C D
Rated voltage	300V 300V —
Rated current	20A 20A —
Connection capacity	20-10AWG
Solid/stranded	0.5-4.0mm ² /0.5-4.0mm ²
Stranded with ferrule without plastic sleeve	—
Stranded with ferrule with plastic sleeve	—
Multiple connection(2 conductors with same cross section)	—
Solid/stranded	—
Stranded with ferrule without plastic sleeve	—
Stranded with TWIN ferrule with plastic sleeve	—

※Mechanical

Torque	0.8Nm(7.0Lb-In.)
Ambient temperature	-40°C~+105°C
Stripping length	10-12mm
※Dimensions	
Pitch	7.5mm(.295")
Poles 极数	1P,2P

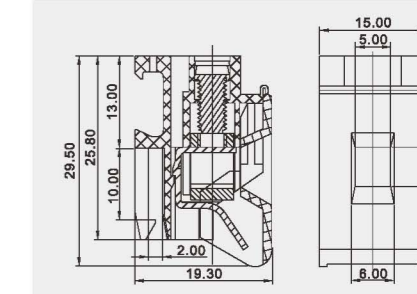
※Material

Housing	PA66,UL94V-0
Contact	Copper alloy
Screws	M3.5,steel,Cr ³⁺ Zn plated

Product model	Pcs./Pkt.	Product model	Pcs./Pkt.
TSC4-01P	500	—	—
TSC4-02P	410	—	—
—	—	—	—
—	—	—	—



TSC6



Pitch: 15.0mm; Poles: 1P

APPROVAL:

※Electrical

IEC/DIN VDE Technical data	
Rated current	41 A
Rated insulation voltage with pollution degree2	750 V
Surge voltage category /pollution degree	— — —
Rated insulation voltage	— — —
Rated surge voltage	— — —
UL/CUL(Approval data) Use Group	B C D
Rated voltage	300V 300V —
Rated current	20A 20A —
Connection capacity	20-10AWG
Solid/stranded	0.5-6.0mm ² /0.5-6.0mm ²
Stranded with ferrule without plastic sleeve	—
Stranded with ferrule with plastic sleeve	—
Multiple connection(2 conductors with same cross section)	—
Solid/stranded	—
Stranded with ferrule without plastic sleeve	—
Stranded with TWIN ferrule with plastic sleeve	—

※Mechanical

Torque	1.2Nm(10.5Lb-In.)
Ambient temperature	-40°C~+105°C
Stripping length	10-12mm
※Dimensions	
Pitch	15.0mm(.591")
Poles 极数	1P

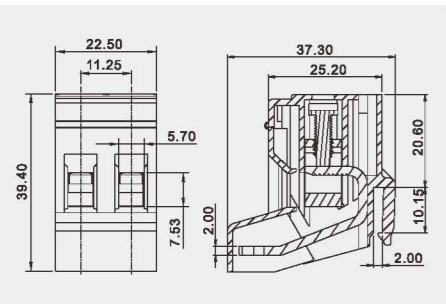
※Material

Housing	PA66,UL94V-0
Contact	Copper alloy
Screws	M4,steel,Cr ³⁺ Zn plated

Product model	Pcs./Pkt.	Product model	Pcs./Pkt.
TSC6-01P	300	—	—
—	—	—	—
—	—	—	—
—	—	—	—



TSC10



Pitch: 11.25mm; Poles: 2P

APPROVAL:

※Electrical

IEC/DIN VDE Technical data

Rated current	57 A
Rated insulation voltage with pollution degree2	750 V
Surge voltage category /pollution degree	— — —
Rated insulation voltage	— — —
Rated surge voltage	— — —
UL/CUL(Approval data) Use Group	B C D
Rated voltage	300V — —
Rated current	55A — —
Connection capacity	12-6AWG
Solid/stranded	4.0-10.0mm ² /4.0-10.0mm ²
Stranded with ferrule without plastic sleeve	—
Stranded with ferrule with plastic sleeve	—
Multiple connection(2 conductors with same cross section)	—
Solid/stranded	—
Stranded with ferrule without plastic sleeve	—
Stranded with TWIN ferrule with plastic sleeve	—

※Mechanical

Torque	1.2Nm(10.53Lb-In.)
Ambient temperature	-40°C~+105°C
Stripping length	12-13mm

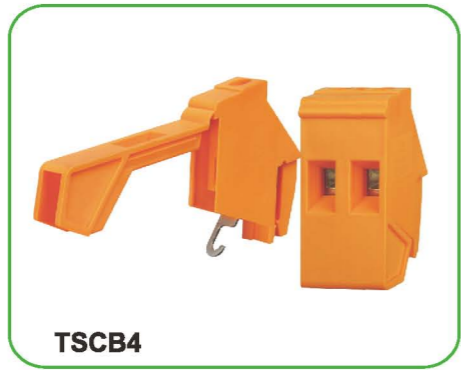
※Dimensions

Pitch	11.25mm(.443")
Poles	2P

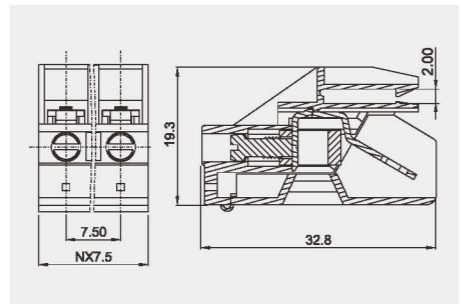
※Material

Housing	PA66,UL94V-0
Contact	Copper alloy
Screws	M4,steel,Cr ³⁺ Zn plated

Product model	Pcs./Pkt.	Product model	Pcs./Pkt.
TSC10-02P	250	—	—
—	—	—	—
—	—	—	—
—	—	—	—
—	—	—	—



TSCB4



Pitch: 7.5mm; Poles: 1P~3P

APPROVAL:

※Electrical

IEC/DIN VDE Technical data

Rated current	32A
Rated insulation voltage with pollution degree2	450 V
Surge voltage category /pollution degree	— — —
Rated insulation voltage	— — —
Rated surge voltage	— — —
UL/CUL(Approval data) Use Group	B C D
Rated voltage	600V 600V 600V
Rated current	30A 30A 5A
Connection capacity	20-10AWG
Solid/stranded	0.5-4.0mm ² /0.5-4.0mm ²
Stranded with ferrule without plastic sleeve	—
Stranded with ferrule with plastic sleeve	—
Multiple connection(2 conductors with same cross section)	—
Solid/stranded	—
Stranded with ferrule without plastic sleeve	—
Stranded with TWIN ferrule with plastic sleeve	—

※Mechanical

Torque	0.5Nm(4.4Lb-In.)
Ambient temperature	-40°C~+105°C
Stripping length	10-12mm

※Dimensions

Pitch	7.5mm(.295")
Poles	1P~3P

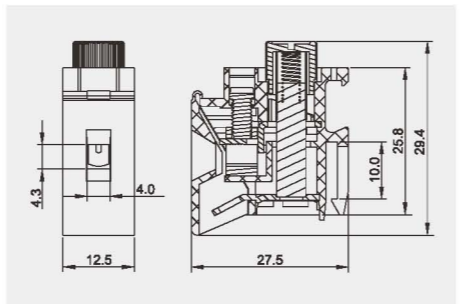
※Material

Housing	PA66,UL94V-0
Contact	Copper alloy
Screws	M3,steel,Cr ³⁺ Zn plated
Cage	Brass,Ni plated

Product model	Pcs./Pkt.	Product model	Pcs./Pkt.
TSCB4-01P	600	—	—
TSCB4-02P	510	—	—
TSCB4-03P	330	—	—
—	—	—	—
—	—	—	—



TSCF4



Pitch: 12.5mm; Poles: 1P

APPROVAL:

※Electrical

IEC/DIN VDE Technical data

Rated current	10A
Rated insulation voltage with pollution degree2	250 V
Surge voltage category /pollution degree	— — —
Rated insulation voltage	— — —
Rated surge voltage	— — —
UL/CUL(Approval data) Use Group	B C D
Rated voltage	300V — —
Rated current	8A — —
Connection capacity	30-10AWG
Solid/stranded	0.5-4.0mm ² /0.5-4.0mm ²
Stranded with ferrule without plastic sleeve	—
Stranded with ferrule with plastic sleeve	—
Multiple connection(2 conductors with same cross section)	—
Solid/stranded	—
Stranded with ferrule without plastic sleeve	—
Stranded with TWIN ferrule with plastic sleeve	—

※Mechanical

Torque	0.8Nm(7.0Lb-In.)
Ambient temperature	-40°C~+105°C
Stripping length	10-12mm

※Dimensions

Pitch	12.5mm(.492")
Poles	1P

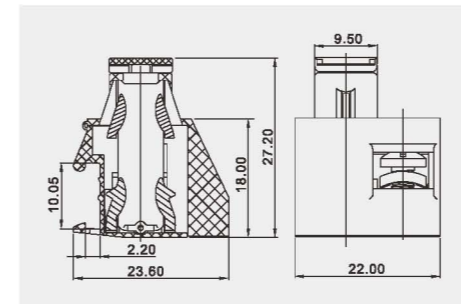
※Material

Housing	PA66,UL94V-0
Contact	Copper alloy
Screws	M3.5,steel,Cr ³⁺ Zn plated
Cage	Brass,Ni plated

Product model	Pcs./Pkt.	Product model	Pcs./Pkt.
TSCF4-01P	400	—	—
—	—	—	—
—	—	—	—
—	—	—	—
—	—	—	—



TSF2.5



Pitch: 22mm; Poles:1P

APPROVAL:

※Electrical

IEC/DIN VDE Technical data

Rated current	6.3A
Rated insulation voltage with pollution degree2	250 V
Surge voltage category /pollution degree	— — —
Rated insulation voltage	— — —
Rated surge voltage	— — —
UL/CUL(Approval data) Use Group	B C D
Rated voltage	250V 250V 250V
Rated current	6.3A 6.3A 10A
Connection capacity	20-14AWG
Solid/stranded	0.5-2.5mm ² /0.5-2.5mm ²
Stranded with ferrule without plastic sleeve	—
Stranded with ferrule with plastic sleeve	—
Multiple connection(2 conductors with same cross section)	—
Solid/stranded	—
Stranded with ferrule without plastic sleeve	—
Stranded with TWIN ferrule with plastic sleeve	—

※Mechanical

Torque	0.8Nm(7.0Lb-In.)
Ambient temperature	-40°C~+105°C
Stripping length	8-10mm

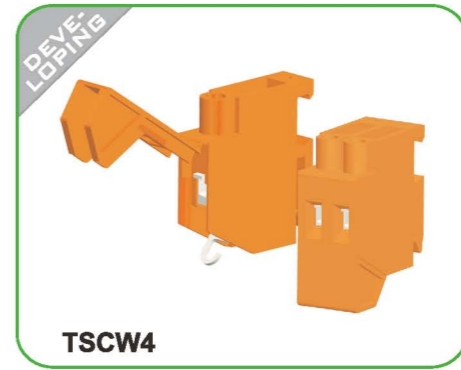
※Dimensions

Pitch	22mm(.866")
Poles	1P

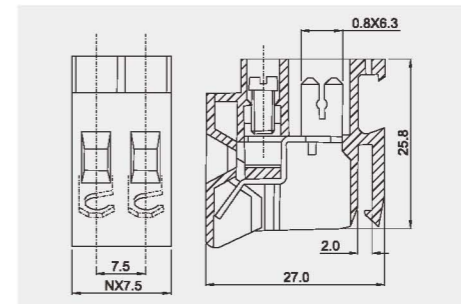
※Material

Housing	PA66,UL94V-0
Contact	Copper alloy
Screws	M3.5,steel,Cr ³⁺ Zn plated

Product model	Pcs./Pkt.	Product model	Pcs./Pkt.
TSF2.5-01P	250	—	—
—	—	—	—
—	—	—	—
—	—	—	—
—	—	—	—



TSCW4



Pitch: 7.5mm; Poles: 1P,2P

APPROVAL:

※Electrical

IEC/DIN VDE Technical data

Rated current	32A
Rated insulation voltage with pollution degree2	750 V
Surge voltage category /pollution degree	— — —
Rated insulation voltage	— — —
Rated surge voltage	— — —
UL/CUL(Approval data) Use Group	B C D
Rated voltage	300V — —
Rated current	20A — —
Connection capacity	20-10AWG
Solid/stranded	0.5-4.0mm ² /0.5-4.0mm ²
Stranded with ferrule without plastic sleeve	—
Stranded with ferrule with plastic sleeve	—
Multiple connection(2 conductors with same cross section)	—
Solid/stranded	—
Stranded with ferrule without plastic sleeve	—
Stranded with TWIN ferrule with plastic sleeve	—

※Mechanical

Torque	0.8Nm(7.0Lb-In.)
Ambient temperature	-40°C~+105°C
Stripping length	10-12mm

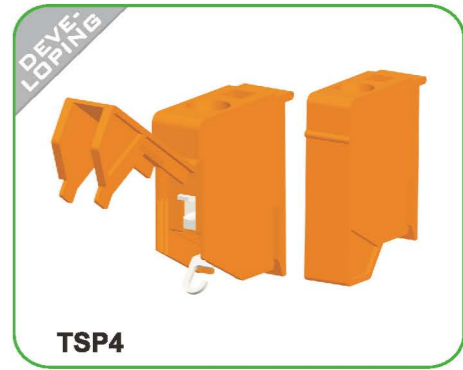
※Dimensions

Pitch	7.5mm(.295")
Poles	1P,2P

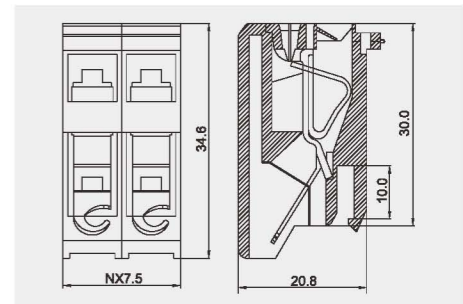
※Material

Housing	PA66,UL94V-0
Contact	Copper alloy
Screws	M3.5,steel,Cr ³⁺ Zn plated
Cage	Brass,Ni plated

Product model	Pcs./Pkt.	Product model	Pcs./Pkt.
TSCW4-01P	—	—	—
TSCW4-02P	—	—	—
—	—	—	—
—	—	—	—
—	—	—	—



TSP4



Pitch: 7.5mm; Poles: 1P

APPROVAL:

※Electrical

IEC/DIN VDE Technical data

Rated current	32A
Rated insulation voltage with pollution degree2	750 V
Surge voltage category /pollution degree	— — —
Rated insulation voltage	— — —
Rated surge voltage	— — —
UL/CUL(Approval data) Use Group	B C D
Rated voltage	300V — —
Rated current	20A — —
Connection capacity	20-10AWG
Solid/stranded	0.5-4.0mm ² /0.5-4.0mm ²
Stranded with ferrule without plastic sleeve	—
Stranded with ferrule with plastic sleeve	—
Multiple connection(2 conductors with same cross section)	—
Solid/stranded	—
Stranded with ferrule without plastic sleeve	—
Stranded with TWIN ferrule with plastic sleeve	—

※Mechanical

Torque	—
Ambient temperature	-40°C~+105°C
Stripping length	8-10mm

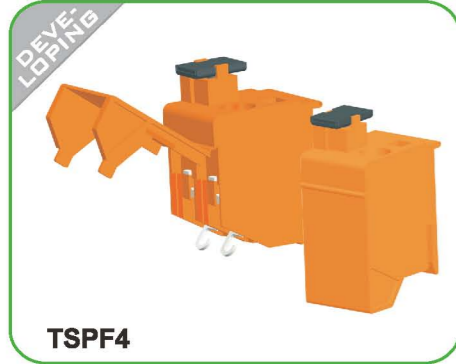
※Dimensions

Pitch	7.5mm(.295")
Poles	1P

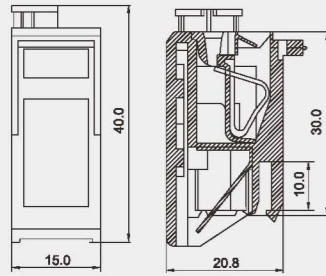
※Material

Housing	PA66,UL94V-0
Contact	Copper alloy
Wire guard	—

Product model	Pcs./Pkt.	Product model	Pcs./Pkt.
TSP4-01P	—	—	—
—	—	—	—
—	—	—	—
—	—	—	—
—	—	—	—



TSPF4



Pitch: 15.0mm; Poles: 1P

※Electrical

IEC/DIN VDE Technical data	
Rated current	10A
Rated insulation voltage with pollution degree2	750V
Surge voltage category /pollution degree	— — —
Rated insulation voltage	— — —
Rated surge voltage	— — —
UL/CUL(Approval data) Use Group	B C D
Rated voltage	300V — —
Rated current	10A — —
Connection capacity	20-10AWG
Solid/stranded	0.5-4.0mm ² /0.5-4.0mm ²
Stranded with ferrule without plastic sleeve	—
Stranded with ferrule with plastic sleeve	—
Multiple connection(2 conductors with same cross section)	—
Solid/stranded	—
Stranded with ferrule without plastic sleeve	—
Stranded with TWIN ferrule with plastic sleeve	—

※Mechanical

Torque	—
Ambient temperature	-40°C~+105°C
Stripping length	8-10mm

※Dimensions

Pitch	15.0mm(.591")
Poles	1P

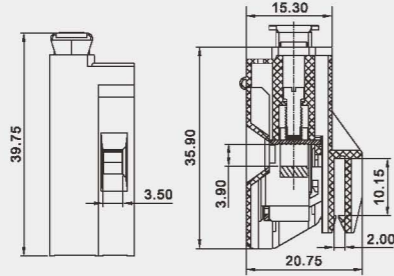
※Material

Housing	PA66,UL94V-0
Contact	Copper alloy
Wire guard	—

Product model	Pcs./Pkt.	Product model	Pcs./Pkt.
TSPF4-01P	—	—	—
—	—	—	—
—	—	—	—
—	—	—	—
—	—	—	—



TSCBF4



Pitch: 7.5mm; Poles: 1P

APPROVAL:

※Electrical

IEC/DIN VDE Technical data	
Rated current	10A
Rated insulation voltage with pollution degree2	750V
Surge voltage category /pollution degree	— — —
Rated insulation voltage	— — —
Rated surge voltage	— — —
UL/CUL(Approval data) Use Group	B C D
Rated voltage	600V 600V —
Rated current	10A 10A —
Connection capacity	30-12AWG
Solid/stranded	0.5-2.5mm ² /0.5-2.5mm ²
Stranded with ferrule without plastic sleeve	—
Stranded with ferrule with plastic sleeve	—
Multiple connection(2 conductors with same cross section)	—
Solid/stranded	—
Stranded with ferrule without plastic sleeve	—
Stranded with TWIN ferrule with plastic sleeve	—

※Mechanical

Torque	0.5Nm(4.4Lb-In.)
Ambient temperature	-40°C~+105°C
Stripping length	8-10mm

※Dimensions

Pitch	7.5mm(.295")
Poles	1P

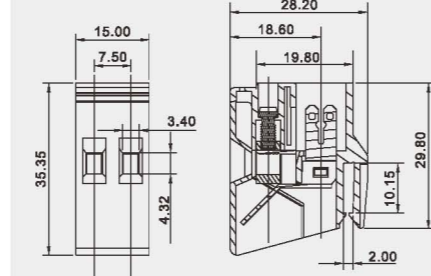
※Material

Housing	PA66,UL94V-0
Contact	Copper alloy
Screws	M3.5,steel,Cr ³⁺ Zn plated
Cage	Brass,Ni plated

Product model	Pcs./Pkt.	Product model	Pcs./Pkt.
TSCBF4-01P	600	—	—
TSCBF4-02P	510	—	—
TSCBF4-03P	330	—	—
—	—	—	—
—	—	—	—



TSCK4



Pitch: 7.5mm; Poles: 1P,2P

APPROVAL:

※Electrical

IEC/DIN VDE Technical data	
Rated current	30A
Rated insulation voltage with pollution degree2	690V
Surge voltage category /pollution degree	— — —
Rated insulation voltage	— — —
Rated surge voltage	— — —
UL/CUL(Approval data) Use Group	B C D
Rated voltage	600V — —
Rated current	30A — —
Connection capacity	30-10AWG
Solid/stranded	0.2-4mm ² /0.2-4mm ²
Stranded with ferrule without plastic sleeve	—
Stranded with ferrule with plastic sleeve	—
Multiple connection(2 conductors with same cross section)	—
Solid/stranded	—
Stranded with ferrule without plastic sleeve	—
Stranded with TWIN ferrule with plastic sleeve	—

※Mechanical

Torque	0.8Nm(7.02Lb-In.)
Ambient temperature	-40°C~+105°C
Stripping length	8-10mm

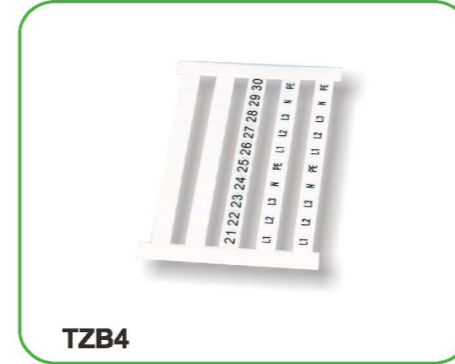
※Dimensions

Pitch	7.5mm(.295")
Poles	1P,2P

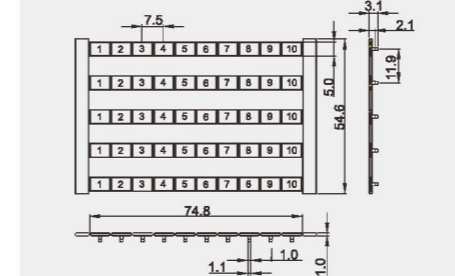
※Material

Housing	PA66,UL94V-0
Contact	Copper alloy
Screws	M3.5,steel,Cr ³⁺ Zn plated
Cage	Brass,Ni plated

Product model	Pcs./Pkt.	Product model	Pcs./Pkt.
TSCK4-01P	500	—	—
TSCK4-02P	410	—	—
—	—	—	—
—	—	—	—
—	—	—	—



TZB4



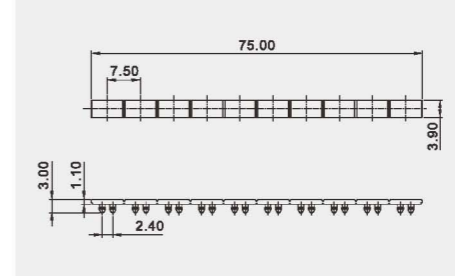
Pitch: 7.5mm; Poles: 50P

※Mechanical

Ambient temperature	-40°C~+105°C
※Dimensions	
Pitch	7.5mm(.295")
Poles	50P
※Material	
Housing	PA66,UL94V-0
Product model	Pcs./Pkt.
TZB4-50P	400



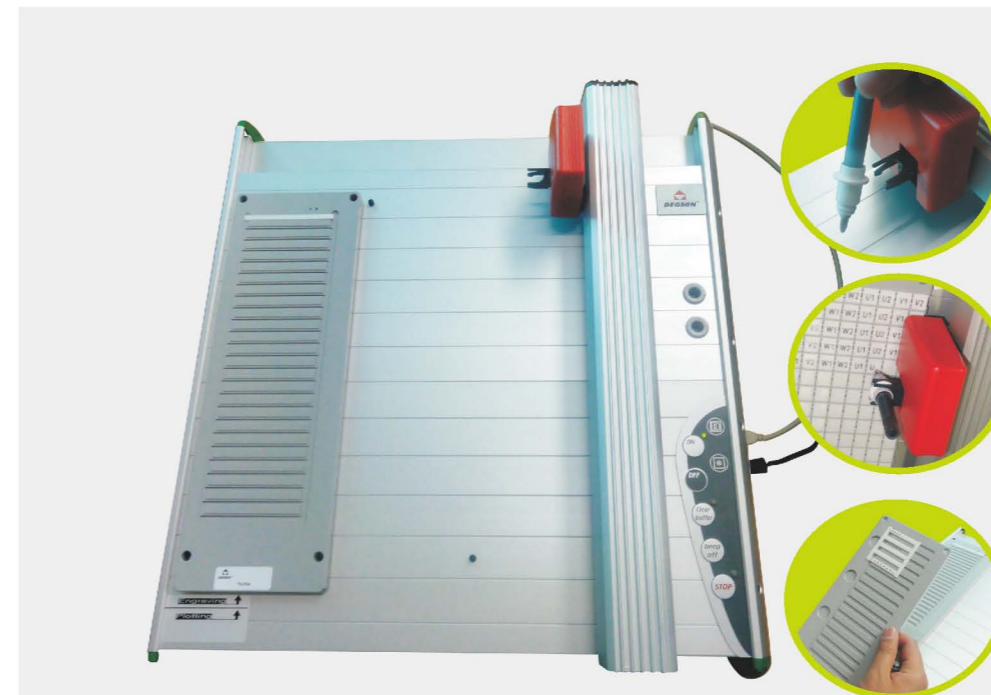
TSZB4



Pitch: 7.5mm; Poles: 10P

※Mechanical

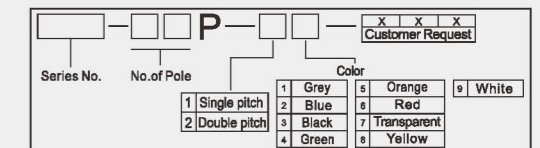
Ambient temperature	-40°C~+105°C
※Dimensions	
Pitch	7.5mm(.295")
Poles	10P
※Material	
Housing	PA66,UL94V-0
Product model	Pcs./Pkt.
TSZB4-50P	3000

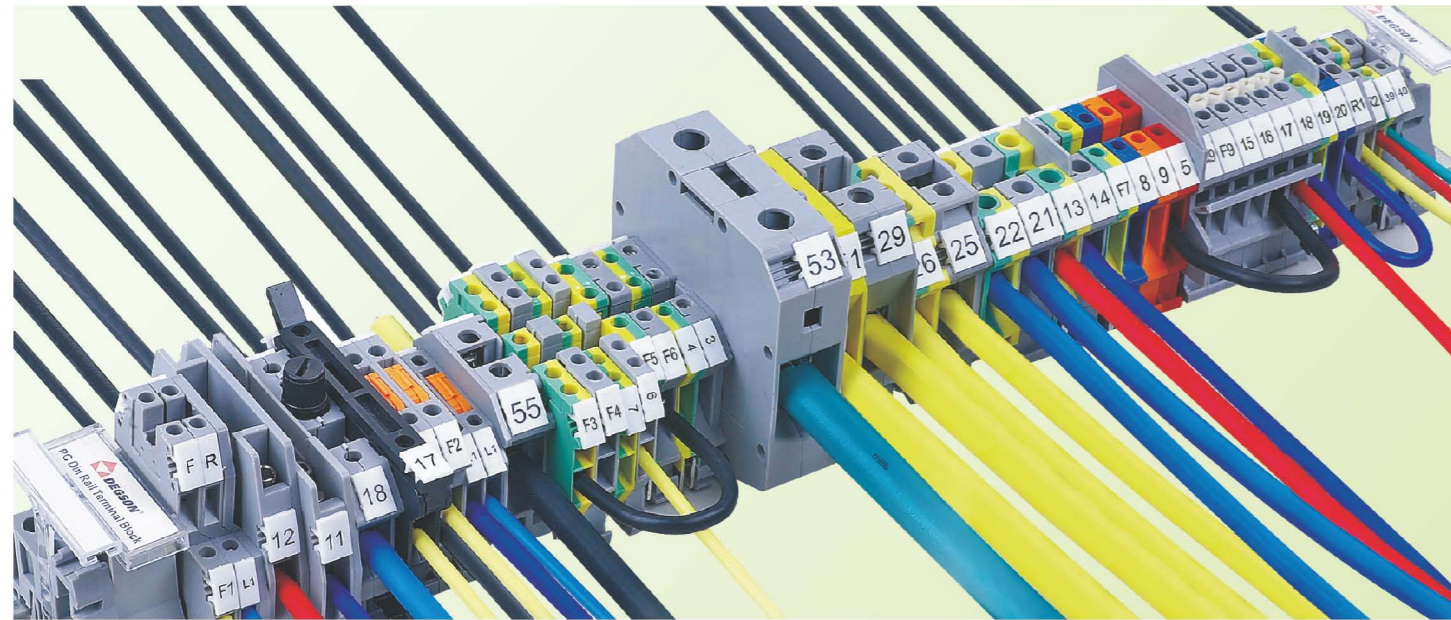


Model: DG100

DG 100 → TZB4, TSZB4, ZB4, ZB5, ZB6, ZB8, ZB10, DEK4, DEK5, DEK6, ZW5...

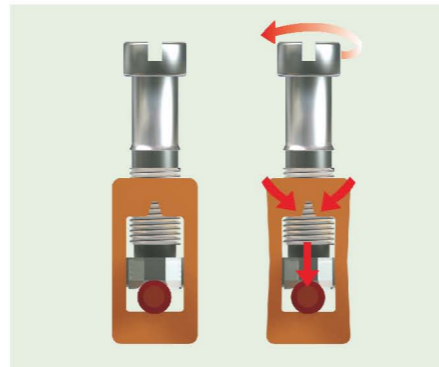
How to order :





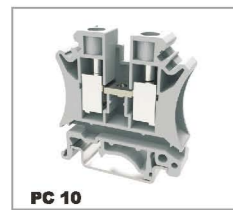
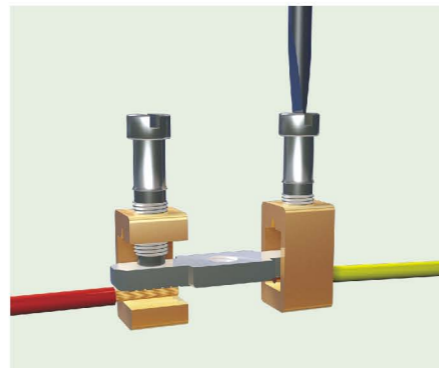
PC copper alloy pressure clamp connection

- The insulator is made from PA66 , with excellent pliability and fire resistance.
- The blocks adopt copper alloy pressure clamp connection system with advantages of long-term protection from bad circumstance such as high humidity, salt spray.
- The unique pressure clamp connection with self-locking and loosening protection.
- The connect capacity ranges from 0.02 to 150 mm² with terminals of test, disconnection, fuse types etc.
- Low voltage drop.
- High ratio of quality and price.



Self-locking

When the clamping screw is tightened, the clamping parts with cages, the screws resecured on the upper side of the cage. When the screw is tightened with a bigger torque, an elastic deformation occurs in the cage. In conjunction with the thread friction and the inherent elasticity of the cage material, this deformation effectively and progressively prevents the screw loosening, thus causing a locking action to be exerted on the screw. Once the conductor is tightened, it won't loose even under shaking, this keeps you free from maintenance in your long-term usage.



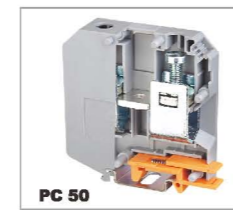
PC 10
 800V/57A 0.2-10mm²
 600V/85A 20-8AWG
 T/W/End plate 10.2/42.5/1.6mm



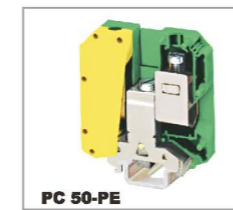
PC 16
 800V/76A 0.2-16mm²
 600V/85A 12-4AWG
 T/W/End plate 12.2/42.5/1.5mm



PC 35
 1000V/125A 0.2-35mm²
 600V/150A 18-1/0AWG
 T/W/End plate 15.2/50/-mm



PC 50
 1000V/150A 25-50mm²
 600V/125A 6-1/0AWG
 20/70.5/-mm



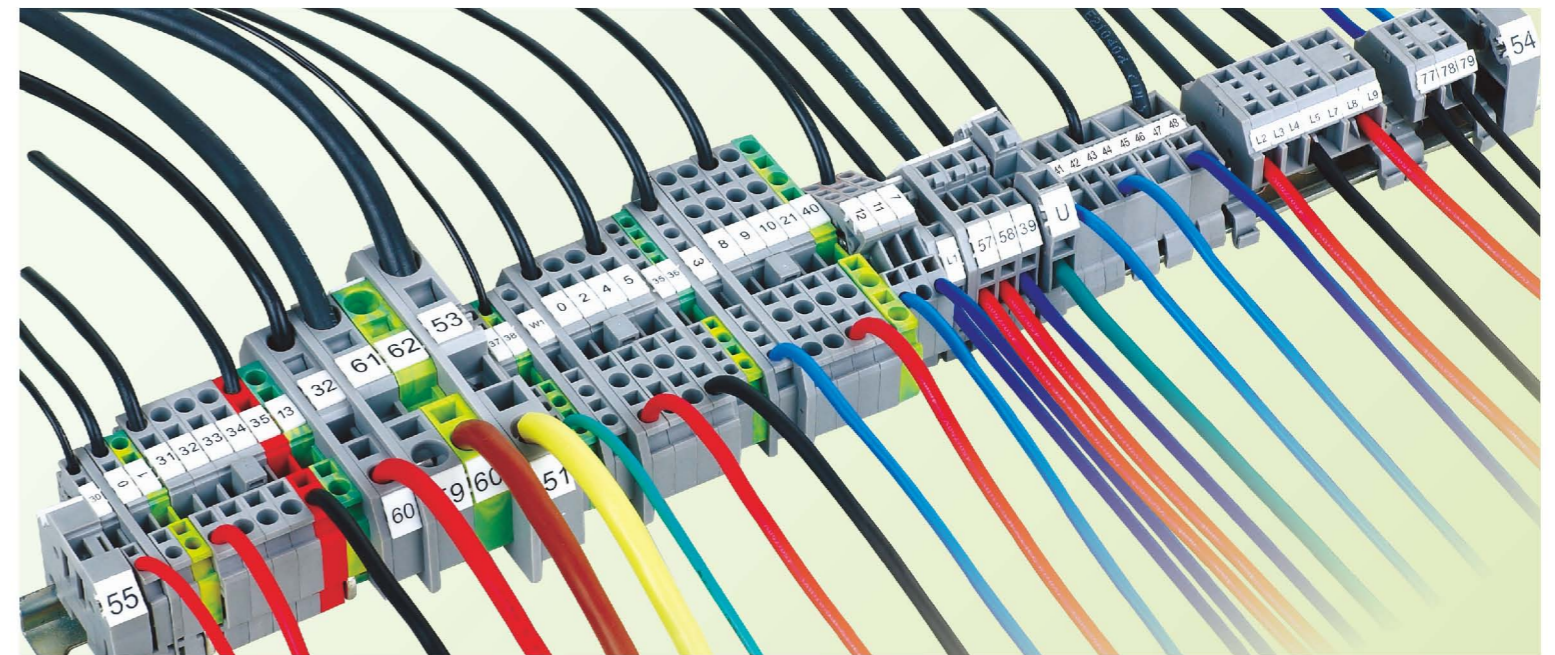
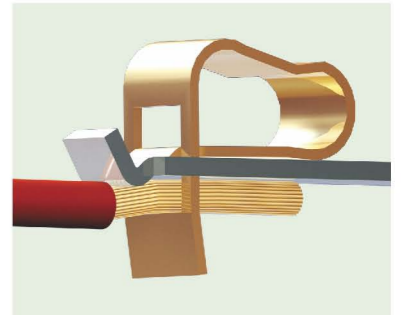
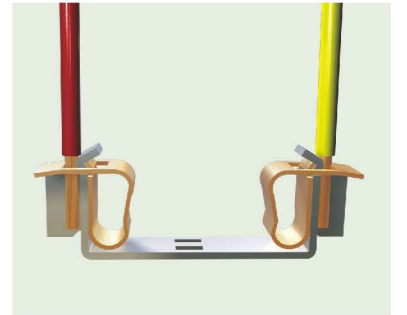
PC 50-PE
 IEC — 25-50mm²
 UL — 6-1/0AWG
 20/70.5/-mm

WS cage clamp

Is suitable for direct connection of solid, Stranded or fine stranded machine tool wire as well as with crimped ferrules, pin terminals or tip bonded wire from 0.2mm² to 16mm². (It is used extensively in electrical and electrical application in a wide range of industries.)

Features:

Apart from the wire stripper, the only tool required is a flat-bladed screwdriver. Once the conductor is inserted, the stainless steel CAGE CLAMP automatically provides the correct clamping force for a totally secure connection. The flat clamping face of the CAGE CLAMP presses the wire against the current bar, without risk of damage to the conductor. Concentration of the high clamping force (N) over the small cross-sectional area (mm²) results in a high specific contact pressure (N/mm²).



WS6
 800V/41A 0.2-6mm²
 600V/30A 24-10AWG
 T/W/End plate 8/74.5/2.5mm



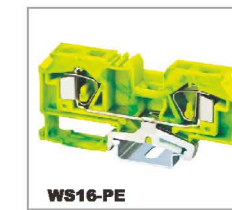
WS10
 800V/57A 0.2-10mm²
 UL 600V/50A 24-8AWG
 T/W/End plate 10/78/2.5mm



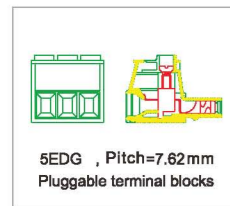
WS16
 800V/76A 0.2-16mm²
 600V/85A 24-6AWG
 T/W/End plate 12/94.5/2.5mm



WS10-PE
 — 0.2-10mm²
 — 24-8AWG
 T/W/End plate 10/78/2.5mm



WS16-PE
 — 0.2-16mm²
 — 24-6AWG
 T/W/End plate 12/94.5/2.5mm



5EDG , Pitch=7.62mm
Pluggable terminal blocks



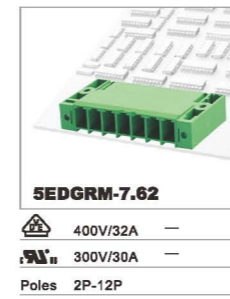
5EDGK-7.62
400V/32A 4mm²
300V/30A 24-10AWG
Poles 2P-12P



5EDGKM-7.62
400V/32A 4mm²
300V/30A 24-10AWG
Poles 2P-12P



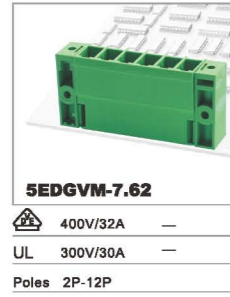
5EDGRC-7.62
400V/32A —
300V/30A —
Poles 2P-12P



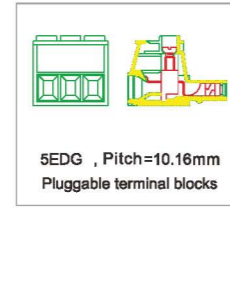
5EDGRM-7.62
400V/32A —
300V/30A —
Poles 2P-12P



5EDGVC-7.62
400V/32A —
300V/30A —
Poles 2P-12P



5EDGVM-7.62
400V/32A —
UL 300V/30A —
Poles 2P-12P



5EDG , Pitch=10.16mm
Pluggable terminal blocks



5EDGK-10.16
600V/57A 0.5-10.0mm²
300V/52A 20-6AWG
Poles 2P-9P



5EDGKM-10.16
600V/57A 0.5-10.0mm²
300V/52A 20-6AWG
Poles 2P-9P



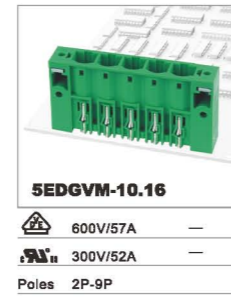
5EDGRC-10.16
600V/57A —
300V/52A —
Poles 2P-9P



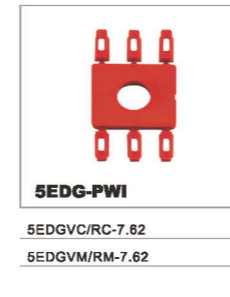
5EDGRM-10.16
600V/57A —
300V/52A —
Poles 2P-9P



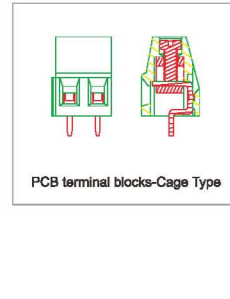
5EDGVC-10.16
600V/57A —
300V/52A —
Poles 2P-9P



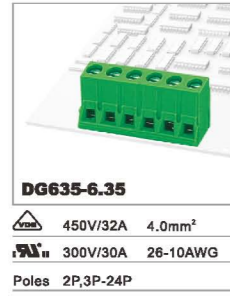
5EDGVM-10.16
600V/57A —
300V/52A —
Poles 2P-9P



5EDG-PWI
5EDGVC/RM-7.62
5EDGVM/RM-7.62



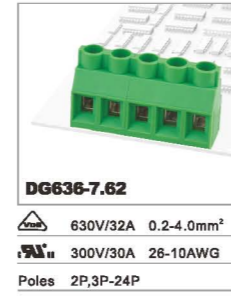
PCB terminal blocks-Cage Type



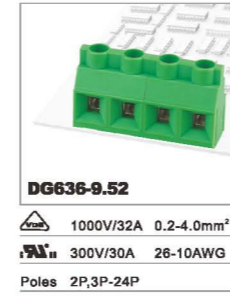
DG635-6.35
450V/32A 4.0mm²
300V/30A 26-10AWG
Poles 2P,3P-24P



DG636-6.35
450V/24A 4.0mm²
300V/30A 26-10AWG
Poles 2P,3P-24P



DG636-7.62
630V/32A 0.2-4.0mm²
300V/30A 26-10AWG
Poles 2P,3P-24P



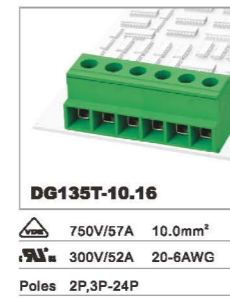
DG636-9.52
1000V/32A 0.2-4.0mm²
300V/30A 26-10AWG
Poles 2P,3P-24P



DG637-6.35
IEC 1000V/32A 4.0mm²
600V/30A 28-10AWG
Poles 1P-XXP



DG950-9.5
750V/26A 4.0mm²
300V/30A 26-10AWG
Poles 2P,3P-24P



DG135T-10.16
750V/57A 10.0mm²
300V/52A 20-6AWG
Poles 2P,3P-24P



DG136T-10.16
1000V/65A 2.5-16.0mm²
300V/60A 20-6AWG
Poles 2P,3P-24P



DG136HT-10.16
1000V/65A 2.5-16mm²
300V/60A 20-6AWG
Poles 2P,3P-24P



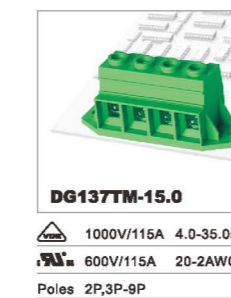
DG136HT-12.70
1000V/65A 2.5-16.0mm²
600V/60A 20-6AWG
Poles 2P,3P-24P



DG138T-10.16
1000V/76A 0.5-16.0mm²
600V/60A 20-6AWG
Poles 1P-XXP



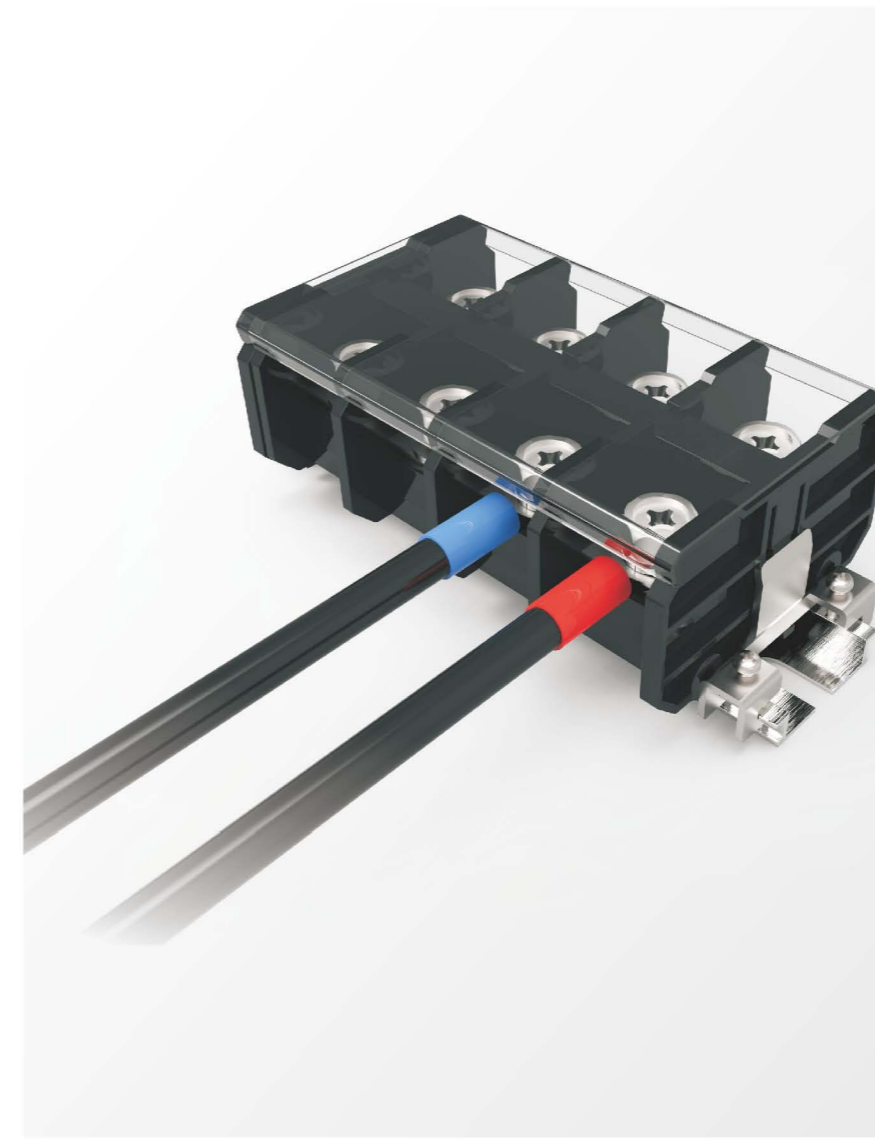
DG137T-15.0
1000V/115A 4.0-35.0mm²
600V/115A 20-2AWG
Poles 2P,3P-9P



DG137TM-15.0
1000V/115A 4.0-35.0mm²
600V/115A 20-2AWG
Poles 2P,3P-9P

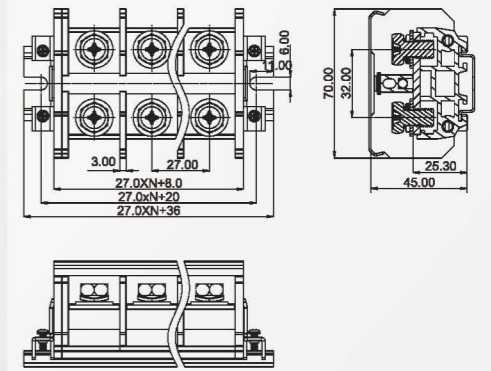


DG137TM-15.0-10A
1000V/115A 4.0-35.0mm²
600V/115A 20-2AWG
Poles 1P



DGR150

- Barrier terminal block simple structure, easy and firm connection.
- Wire range: 0.5mm²-150mm².
- Max. load current 155A.
- Product design conforms to IEC, UL.



DGR60 H=38.0mm
600V/60A 25mm²
600V/80A 20-4AWG
Poles 1P-XXP



DGR60-20A H=38.0mm
600V/60A 25mm²
600V/80A 20-4AWG
Poles 1P-XXP



DGR100 H=43.5mm
800V/100A 35mm²
UL 600V/101A 20-2AWG
Poles 1P-XXP



DGR100-20A H=43.5mm
800V/100A 35mm²
UL 600V/101A 20-2AWG
Poles 1P-XXP



DGR150 H=46.0mm
800V/155A 50mm²
600V/155A 20-2/0AWG
Poles 1P-XXP



DGR150-20A H=46.0mm
1000V/155A 70mm²
600V/155A 20-2/0AWG
Poles 1P-XXP



DGR200 H=58.0mm
800V/200A 95mm²
600V/200A 20-4/0AWG
Poles 1P-XXP



DGR200-20A H=58.0mm
800V/200A 95mm²
600V/200A 20-4/0AWG
Poles 1P-XXP



DGR300 H=63.0mm
800V/300A 150mm²
UL 600V/300A 20-300kcmil
Poles 1P-XXP



DGR300-20A H=63.0mm
800V/300A 150mm²
UL 600V/300A 20-300kcmil
Poles 1P-XXP