

1 2 3 4 5 6 7

A

B

C

D

E

F

A

B

C

D

E

F

NOTES:

MATERIAL

- 1. Insulator Material: PBT+30%G.F, (UL94V-0), Grey
- 2. Contact Material : Brass

ELECTRICAL

- 1. Current Rating : 3.0AMP
- 2. Withstand Voltage : 1000V AC/minute
- 3. Contact Resistance : 20mΩ max
- 4. Insulation Resistance: 1000MΩ min

ENVIRONMENTAL

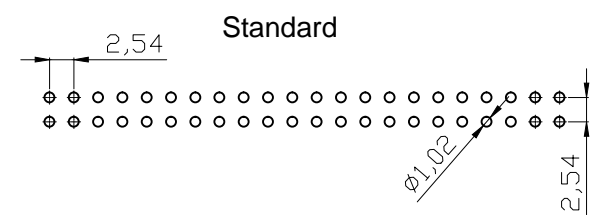
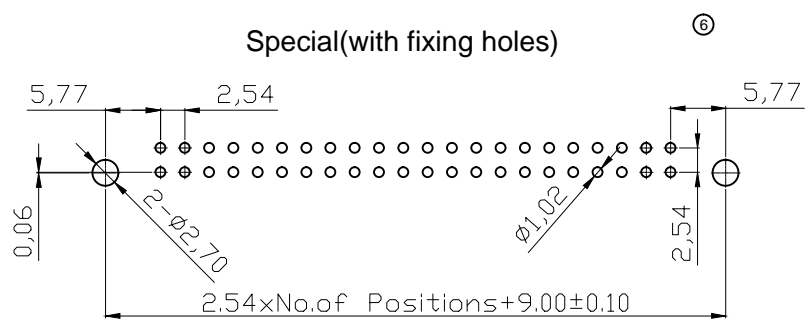
- 1. Operation Temperature: -40°C to +105°C
- 2. Packing : Tray
- 3. Without side slot "A" and "B" for 06-18P

- ⑩ Without side slot "A" and with slot "B" for 20-58P
- With slot "A" and "B" for 60-64P

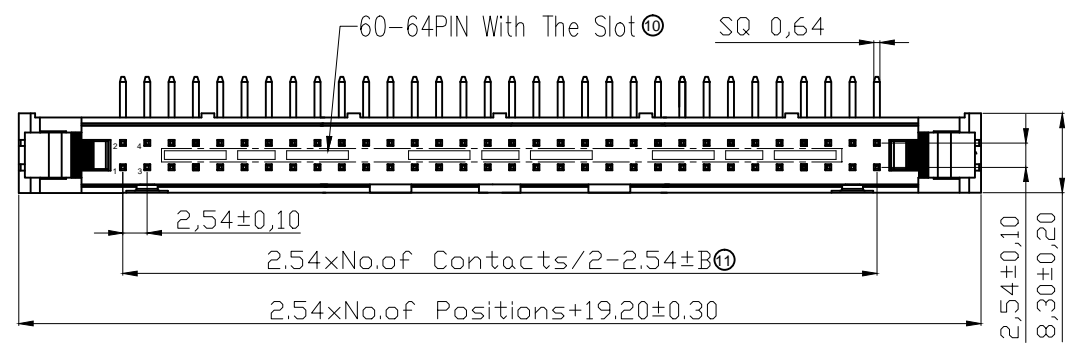
Ordering Information

⑨ AWH xxA-0xx2-T

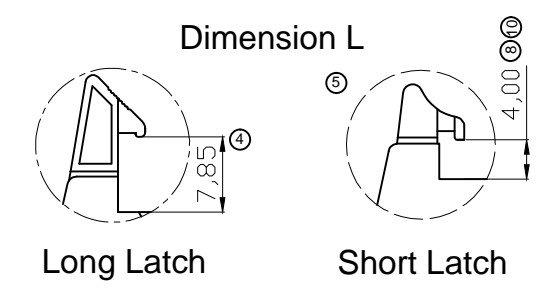
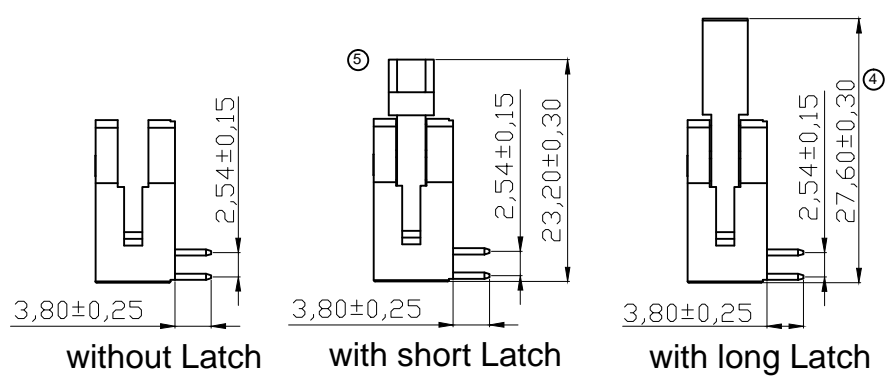
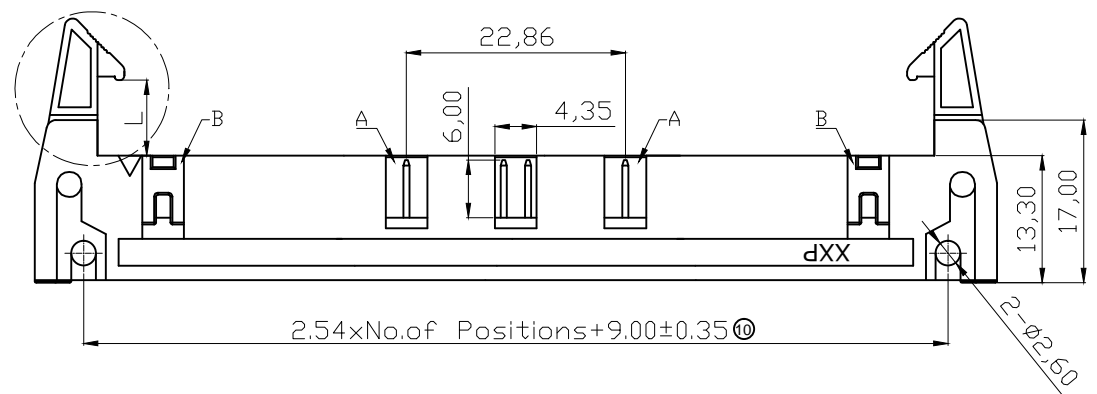
⑫ ⑬ No. of Contacts	⑭ Latch Type
06 08	0(w/o latch)
10 12	2(with short latch)
14 16	3(with long latch)
18 20	
24 26	
30 40	
50 60	
64	



Recommended P.C.B Layout(Top Side)
(PCB BOARD TOLERANCE±0.05)



⑪ Pin	TOL B
6-40P	±0.20
42-64P	±0.30



RoHS compliant
Unit: mm



File No.: E198287

Scale	Free
TOLERANCE	
X.X	±0.40
X.XX	±0.25
X.XXX	±0.15
Angle	±3°

⑫	Remove the 34Pin version	22.04.2026	Peter		Date	Name	Customer-No.
⑪	Update tolerance and add PN	11.01.2022	Daniel	Drawn	25.01.2006	Alex	
⑩	Update tolerance and notes	28.01.2019	Xavier	Approved	22.04.2026	Peter	
⑨	Add UL file no.	12.12.2013	Amy				
⑧	Add the fulfilled Tinned version	11.11.2013	Winnie				
⑦	Update	29.03.2013	Winnie				
Id.	Modification	Date	Name				



ASSMANN WSW-No. AWH xxA-0xx2-T	
Drawing-No. ASS 2311 CO	rev12
Replace	Sheet 1/1

1 2 3 4 5 6 7

G

H