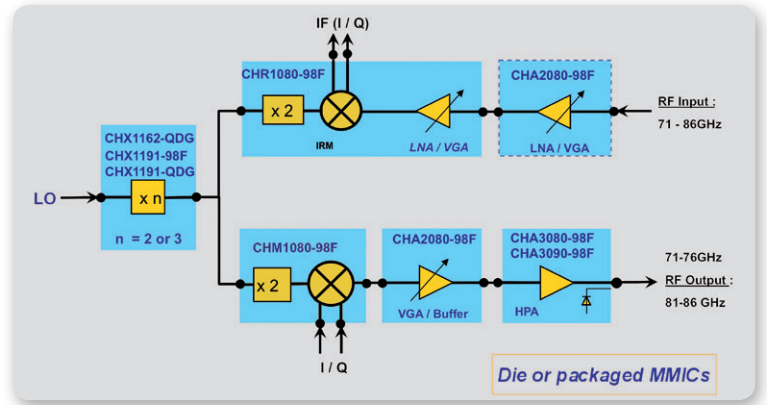


A complete UMS E-Band radio chipset for high data rate millimeter-wave wireless backhaul

- Very low noise
- Smart PA's with on chip detector
- Highly integrated mixer



Low Noise Amplifier

Very low noise / Gain control

Part Number	Frequency range (GHz)	Gain (dB)	Noise Figure (dB)	Gain Control (dB)	Pout-1 dB (dBm)	Power Consumption V@mA
CHA2080-98F	71-86	22	3.5	12	10	3.5@75

Power Amplifiers

Power detector on-chip / Excellent Match

Part Number	Frequency range (GHz)	Gain (dB)	OIP3 (dBm)	Psat (dBm)	Power Consumption V@mA
CHA3080-98F	71-76	16	28	21	3.5@280
CHA3090-98F	81-86	13	26	19	3.5@280

Multipliers

QFN packaged / Low consumption

Part Number	Input Frequency (GHz)	Output Frequency (GHz)	Output Power (dBm)	Harmonic Rejection (dBc)	Power Consumption V@mA
CHX1162-QDG	17.5-21.5	35-43	8	40	5@50
CHX1191-98F	11.25-14.5	33.75-43.5	6	35	5@80
CHX1191-QDG	11-14.5	33-43.5	6	35	5@80

Down-Converter

High integration with LO Buffer and Low Noise Amplifier

Part Number	RF Frequency Range (GHz)	LO Frequency Range (GHz)	IF Frequency Range (GHz)	Conversion Gain (dB)	Noise figure (dB)	Image reject (dBc)	Power Consumption V@mA
CHR1080-98F	71-86	34.5-44	DC-12	6	5	16	3.5@175

Single side band Up converter / Image Reject Mixer

LO Buffer inside

Part Number	RF Frequency Range (GHz)	LO Frequency Range (GHz)	IF Frequency Range (GHz)	Conversion Gain (dB)	LO Input Power (dBm)	Image reject (dBc)	Power Consumption V@mA
CHM1080-98F	71-86	34.5-44	DC-12	-11	2	15	3.5@90

Build your own solution with UMS



**United Monolithic
Semiconductors**

Contact us:

UMS SAS - Europe,
Ph: +33 1 69 86 32 00
mktsales@ums-gaas.com

UMS USA, Inc. - America,
Ph: +1 781 791 5078
philippe.labasse@us.ums-gaas.com

UMS GmbH - Germany,
Ph: +49 731 505 30 80
klaus.beilenhoff@ums-ulm.de

UMS - Asia,
Ph: +86 21 6103 1703
xavier.taltasse@ums-gaas.com

Worldwide distributor: Arrow RF & Power - www.arrow.com/rfpower

www.ums-gaas.com