



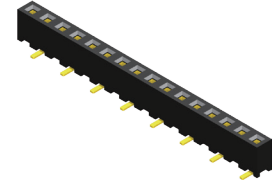
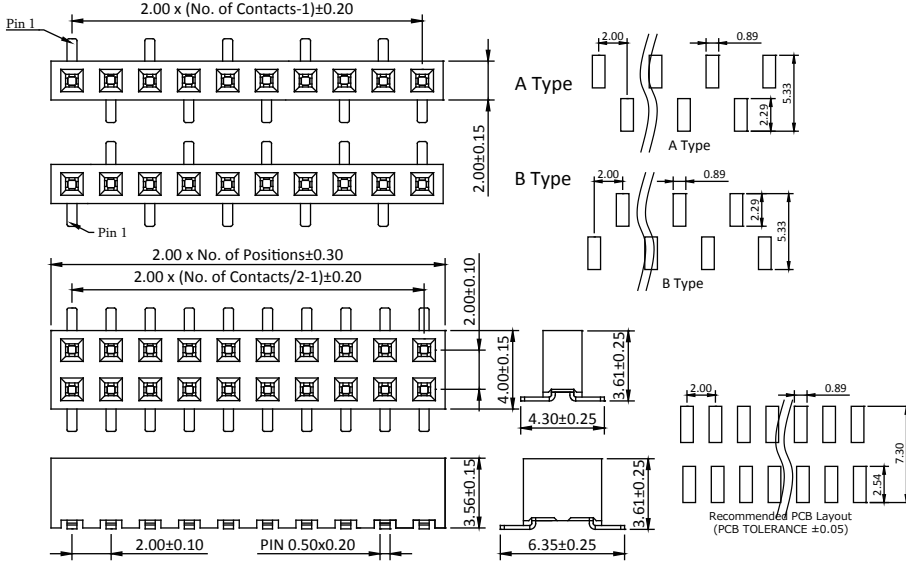
Female Header 2.0mm 1 & 2 Row H=3.56mm SMT Type

Specifications

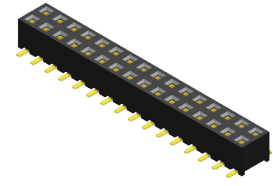
Current Rate: 2 AMP
 Insulation Resistance: 1000MΩ Min.
 Contact Resistance: 20mΩ Max.
 Dielectric Voltage: 500V AC for one minute
 Operation Temperature: -40°C to +105°C

Material

Insulator: Hi-Temp. Thermoplastic, UL 94V-0
 Terminal: Copper Alloy
 Standard Plating: Gold Flash



P/N.: 5PS2MSA35-1XXU



P/N.: 5PS2MSA35-2XXU

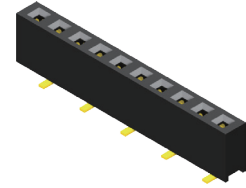
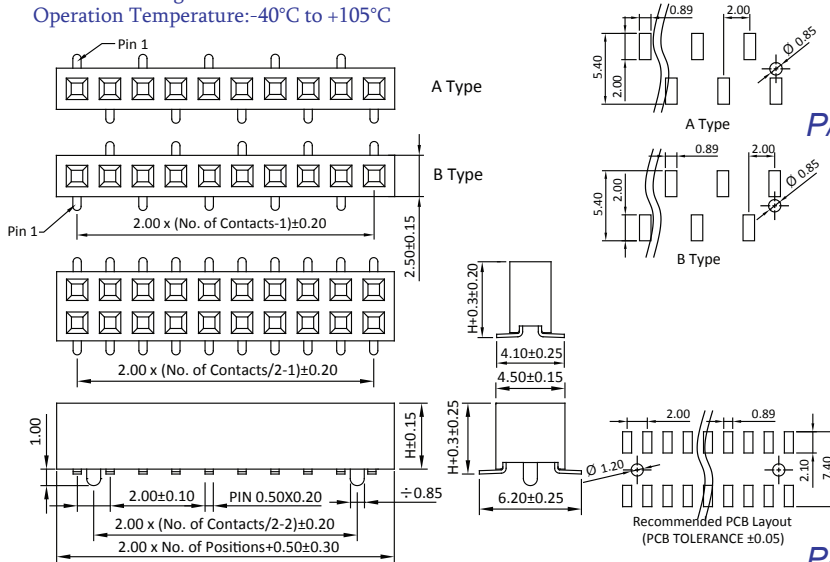
Female Header 2.0mm 1 & 2 Row H=4.0/4.3/4.6mm SMT Type

Specifications

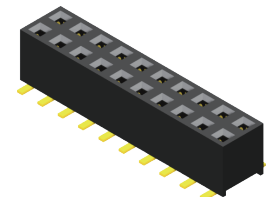
Current Rate: 2 AMP
 Insulation Resistance: 1000MΩ Min.
 Contact Resistance: 20mΩ Max.
 Dielectric Voltage: 500V AC for one minute
 Operation Temperature: -40°C to +105°C

Material

Insulator: Hi-Temp. Thermoplastic, UL 94V-0
 Terminal: Copper Alloy
 Standard Plating: Gold Flash



P/N.: 5PS2MSA40/43/46-1XXU



P/N.: 5PS2MSA40/43/46-2XXU

ORDER INFORMATION

5 P S 2 M S A X X - X X X X X

MS: SMT

No. of Contact Per Row (02~40)

1: Single Row
 2: Dual Row

Plastic Height
 35: H=3.5mm
 40: H=4.0mm
 43: H=4.3mm
 46: H=4.6mm

◎G0: Gold Flash	S0: Selective
GA: Gold 5u"	SA: Selective 5u"
GB: Gold 10u"	SB: Selective 10u"
GC: Gold 20u"	SC: Selective 20u"
GD: Gold 30u"	SD: Selective 30u"
T0: Tin Plated	
TE: Tin 200u"	
Sel. plating for H: 40/43/46 Only	

N X X X U
 N: W/O Bump
 X: N: N/O Peg
 X: P: Inner Peg (For Dual Row Only)
 X: ◎T: Tube, W/O Cap
 X: C: Tube, With Cap
 U: R: Tape & Reel, W/O Cap
 U: R: Tape & Reel, With Cap

N: Non Type (For Dual Row Only)
 A: A TYPE
 B: B TYPE (For Single Row Only)

◎: Standard Recommend
 Tube package is not available for under 1*5 & 2*5 pin counts

Old P/N: PS2M35-1/2
 PS2M40/43/46-1/2

Female Header 2.0mm



ROHS