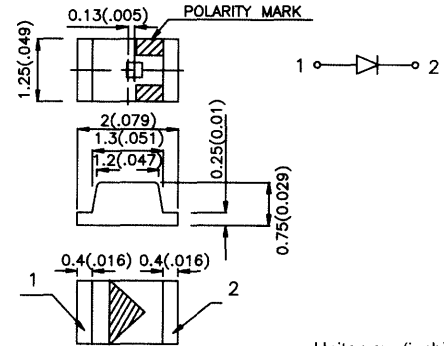


Part No.	Emitting Color + Material	λ D (n m)	Lens Type	Iv (mcd) @20mA		Viewing Angle 2θ1/2	Dimension
				Min.	Typ.		

APT2012EC	GaAsP/GaP	625	water clear	5	12	120°
APT2012NW	GaAsP/GaP	610	white diffused	5	12	120°
APT2012SGC	GaP	568	water clear	3	12	120°
APT2012QGW	GaP	565	white diffused	3	12	120°
APT2012PGW	GaP	555	white diffused	2	5	120°
APT2012QYW	GaP	568	white diffused	3	12	120°
APT2012YC	GaAsP/GaP	588	water clear	2	8	120°
APT2012PYW	GaAsP/GaP	585	white diffused	3	8	120°
APT2012SRCPRV	GaAlAs	640	water clear	20	80	120°
APT2012SURC	InGaAlP	628	water clear	70	150	120°
APT2012SURCK	InGaAlP	630	water clear	50	100	120°
APT2012SEC	InGaAlP	601	water clear	40	200	120°
APT2012SECK	InGaAlP	601	water clear	40	160	120°
APT2012SEW/E	InGaAlP	621	white diffused	40	200	120°
APT2012SYC	InGaAlP	588	water clear	40	80	120°
APT2012SYCK	InGaAlP	590	water clear	30	50	120°
APT2012MBC	GaN	455	water clear	2	8	120°
APT2012MBCK	GaN	455	water clear	2.6	6	120°
APT2012PBC	InGaN	465	water clear	20	45	120°

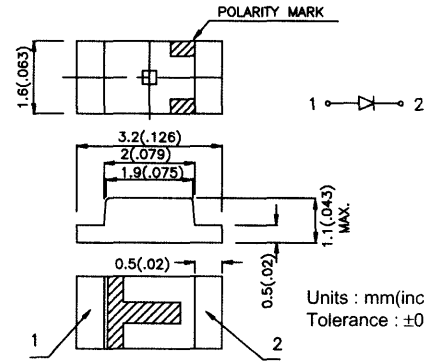
2.0mm x 1.2mm x 0.75mm (0805 Super Thin)



Units : mm(inch)  
Tolerance : ±0.1(0.004)

AP3216EC	GaAsP/GaP	625	water clear	5	12	120°
AP3216SGC	GaP	568	water clear	3	12	120°
AP3216YC	GaAsP/GaP	588	water clear	2	8	120°
AP3216SRCPRV	GaAlAs	640	water clear	20	70	120°
AP3216SURC	InGaAlP	628	water clear	70	180	120°
AP3216SURCK	InGaAlP	630	water clear	50	150	120°
AP3216SEC	InGaAlP	601	water clear	40	200	120°
AP3216SECK	InGaAlP	601	water clear	40	160	120°
AP3216MGC	InGaAlP	568	water clear	20	50	120°
AP3216SYC	InGaAlP	588	water clear	40	80	120°
AP3216SYCK	InGaAlP	590	water clear	30	50	120°
AP3216MBC	GaN	455	water clear	2	8	120°
AP3216MBCK	GaN	455	water clear	2.6	5	120°
AP3216VGC	InGaN	520	water clear	50	90	120°
AP3216PBC	InGaN	465	water clear	20	45	120°

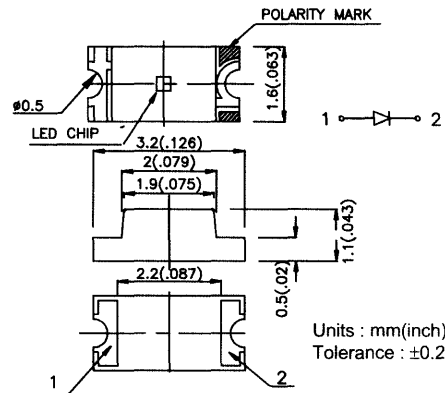
3.2mm x 1.6mm x 1.1mm (1206)



Units : mm(inch)  
Tolerance : ±0.2(0.0079)

APC3216EC	GaAsP/GaP	625	water clear	5	12	120°
APC3216SGC	GaP	568	water clear	3	12	120°
APC3216YC	GaAsP/GaP	588	water clear	2	8	120°
APC3216SRCPRV	GaAlAs	640	water clear	20	70	120°
APC3216SURC	InGaAlP	628	water clear	70	180	120°
APC3216SURCK	InGaAlP	630	water clear	50	150	120°
APC3216SEC	InGaAlP	601	water clear	40	200	120°
APC3216SECK	InGaAlP	601	water clear	40	160	120°
APC3216MGC	InGaAlP	568	water clear	20	50	120°
APC3216SYC	InGaAlP	588	water clear	40	80	120°
APC3216SYCK	InGaAlP	590	water clear	30	50	120°
APC3216MBC	GaN	455	water clear	2	8	120°
APC3216MBCK	GaN	455	water clear	2.6	6	120°
APC3216PBC	InGaN	465	water clear	20	45	120°

3.2mm x 1.6mm x 1.1mm (1206)



Units : mm(inch)  
Tolerance : ±0.2(0.0079)

**NOTE :**

1. AP series custom-made is available upon request.