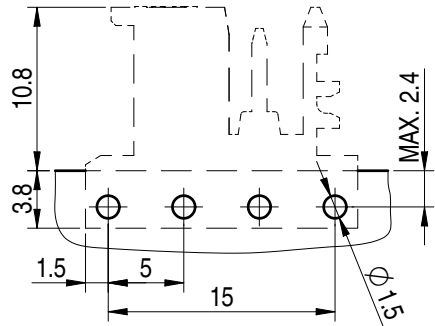
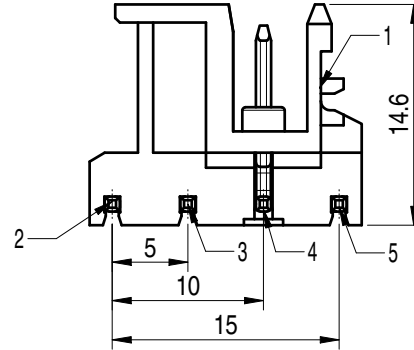
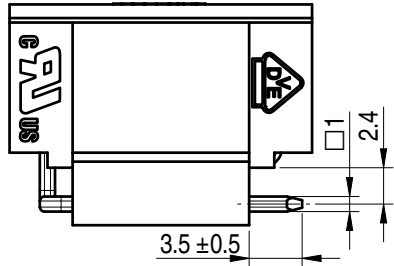
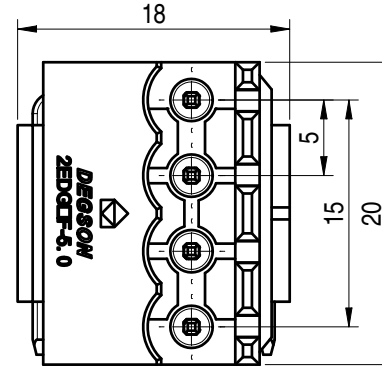


PCB LAYOUT



未注公差/General tolerances (mm)											0.1/10			
0	>3	>6	>10	>18	>30	>50	>80	>120	>180	>250		>315	>400	>500
±0.12	±0.18	±0.22	±0.26	±0.31	±0.37	±0.57	±0.80	±0.93	±1.05	±1.15	±1.60	±2.20	±2.50	±2°



ITEM	NAME OF PART	MATERIAL	NOTES
5	Pin2	Copper	Sn Plated
4	Pin1	Copper	Sn Plated
3	Pin3	Copper	Sn Plated
2	Pin4	Copper	Sn Plated
1	Housing	PA66	UL94V-0

UL 标准/UL Standard:	B	C	D
额定电压/电流/Rated Voltage(V)/Current(A)	300/15	/	300/10
IEC 标准/IEC Standard:			
过压类别/Overvoltage Category/污染等级/Pollution Degree	III/3	III/2	II/2
额定电压/电流/Rated Voltage(V)/Current(A)	/	320/20	/
额定脉冲电压(KV)/Rate Impulse Voltage(KV)	/	4	/
使用温度范围/Operating temperature(°C)	-40~+105		
符合RoHS环保要求/Conform to RoHS	Yes		
标准颜色编号/Standard color number: PANTONE / RAL	/		

**DEGSON**

APPD: 兰春华 2022.11.07  
 CHKD: 龚耀志 2022.11.04  
 DRFT: 方哲盛 2022.11.04

MATERIAL:	SURFACE/COLOR:		
MAT NO./REV:	/	MAT STATUS: 批量	
NAME 2EDGRF-5.0-04P-1Y-00L(H)			
DRAWING NO.	TYPE	DRAWING STATUS	SCALE
200019381	CUSTOMER DRAWING	已发布	2:1
SHEET		1/1	

REV	ECN	DESCRIPTION	DRFT	DATE
01		PCB板视图变更	方哲盛	2022.11.04

Transfer or duplication of this document as well as the utilization or communication of its contents are prohibited unless authorized in writing by the copyright owner. All rights reserved for patent. 除专利声明外，其他内容均受法律保护。未经许可，不得复制或传播。如有侵权，必究。