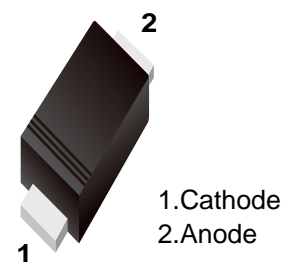


## Switching Diodes

### ■ Features

- Small surface mounting type
- High Speed
- High reliability with high surge current handing capability



■ Simplified outline(SOD-723)

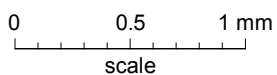
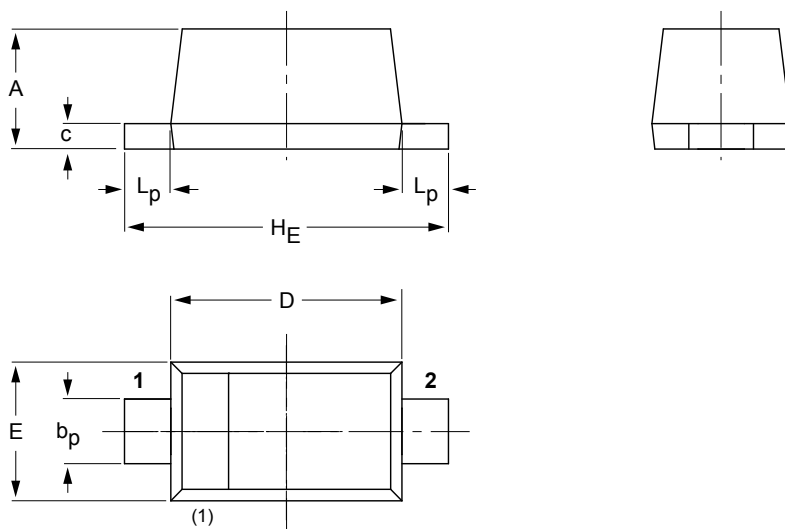
### ■ Absolute Maximum Ratings Ta = 25°C

Parameter	Symbol	Rating	Unit
Peak reverse voltage	$V_{RM}$	90	V
DC reverse voltage	$V_R$	80	V
Average forward current	$I_o$	100	mA
Peak forward current	$I_{FM}$	225	mA
Surge current (1s)	$I_{surge}$	500	mA
Junction temperature	$T_j$	125	°C
Storage temperature	$T_{stg}$	-55 to +125	°C

### ■ Electrical Characteristics Ta = 25°C

Parameter	Symbol	Test Conditions	Min	Typ	Max	Unit
Forward voltage	$V_F$	$I_F=100mA$			1.2	V
Reverse current	$I_R$	$V_R=80V$			0.1	$\mu A$
Total Capacitance	$C_T$	$V_R=0.5V, f=1MHz$			3.0	pF
Reverse recovery time	$t_{rr}$	$V_R=6V, I_F=10mA, R_L=100 \Omega$			4	ns

■ SOD-723



**DIMENSIONS (mm are the original dimensions)**

UNIT	A	$b_p$	c	D	E	$H_E$	$L_p$
mm	0.55 0.49	0.32 0.25	0.15 0.08	1.05 0.95	0.65 0.55	1.45 1.35	0.27 0.13