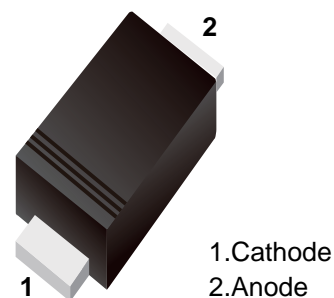


## Schottky Barrier Diode

### ■ Features

- Small package
- Low forward voltage
- Low reverse current



### ■ Simplified outline(SOD-523)



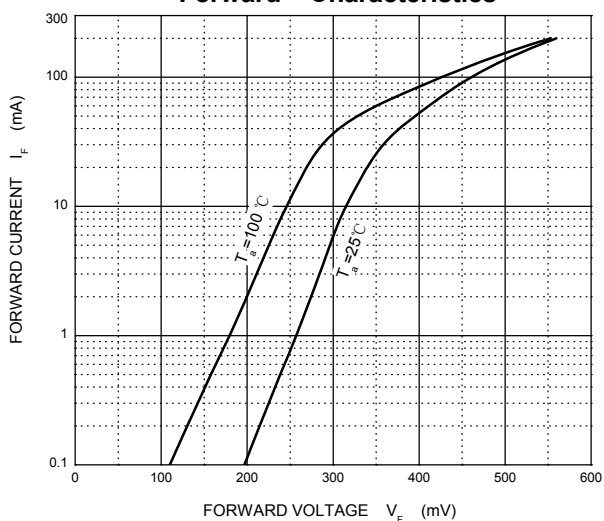
### ■ Maximum Ratings and Electrical Characteristics, Single Diode Ta = 25°C

Parameter	Symbol	Limit	Unit
Peak reverse voltage	$V_{RM}$	45	V
DC reverse voltage	$V_R$	40	V
Maximum (peak) forward current	$I_{FM}$	300	mA
Average forward current	$I_O$	100	mA
Non-repetitive Peak Forward Surge Current@t=8.3ms	$I_{FSM}$	1000	mA
Power dissipation	$P_D$	150	mW
Junction temperature	$T_j$	125	°C
Storage temperature	$T_{stg}$	-55~+150	°C

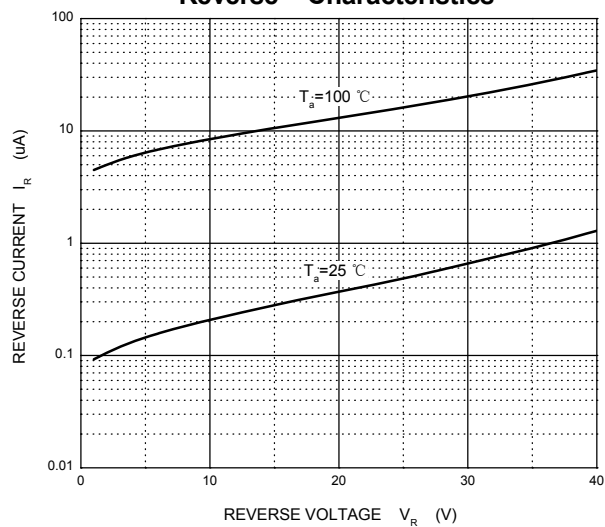
### ■ Electrical Ratings Ta = 25°C

Parameter	Symbol	Min	Typ	Max	Unit	Conditions
Forward voltage	$V_{F1}$		0.28		V	$I_F=1mA$
	$V_{F2}$		0.36		V	$I_F=10mA$
	$V_{F3}$		0.54	0.60	V	$I_F=50mA$
Reverse current	$I_R$			5	$\mu A$	$V_R=10V$
Total capacitance	$C_T$		18	25	pF	$V_R=0, f=1MHz$

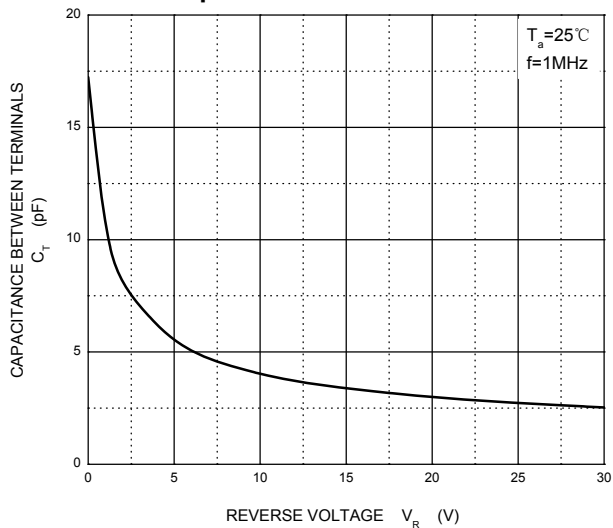
### Forward Characteristics



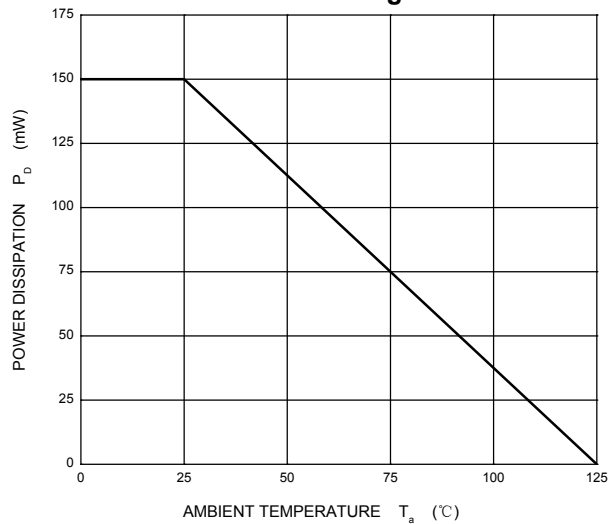
### Reverse Characteristics



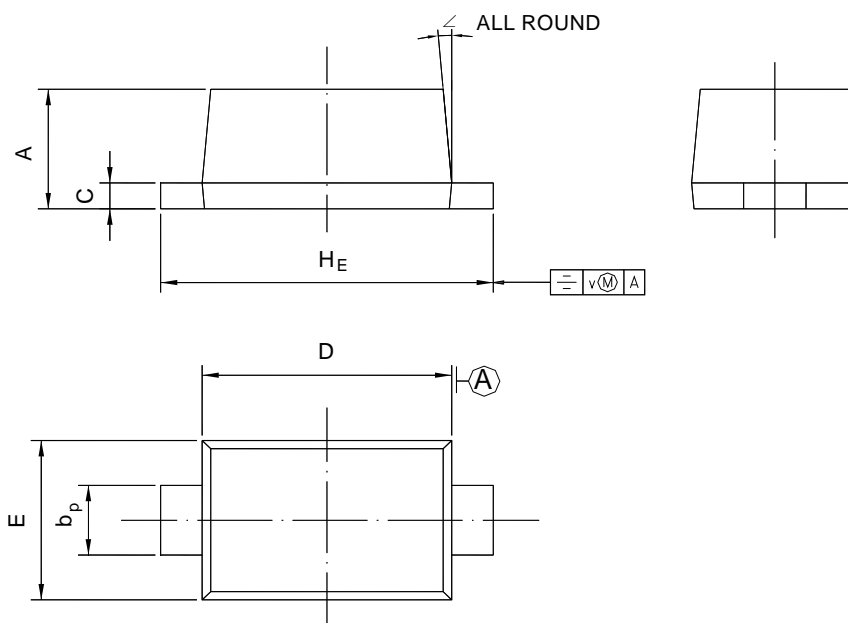
### Capacitance Characteristics



### Power Derating Curve



■ SOD-523



UNIT	A	$b_p$	C	D	E	$H_E$	V	$\angle$
mm	0.70 0.60	0.4 0.3	0.135 0.100	1.25 1.15	0.85 0.75	1.7 1.5	0.1	$5^\circ$