

64 Push-to-Close Latch

Pull-to-open · Paddle latch · Miniature

- Single hole installation
- Concealed mounting
- Plastic slide

Material and Finish

Stainless steel, passivated and brushed finish and glass-filled reinforced nylon, black

Performance Details

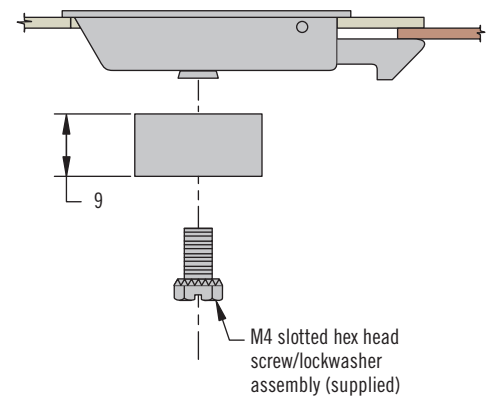
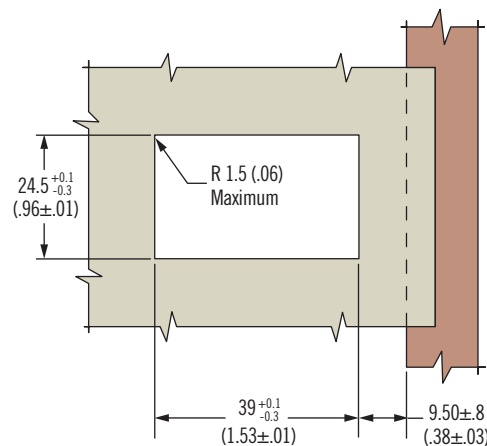
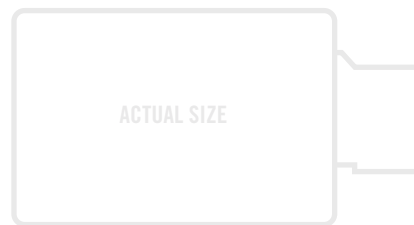
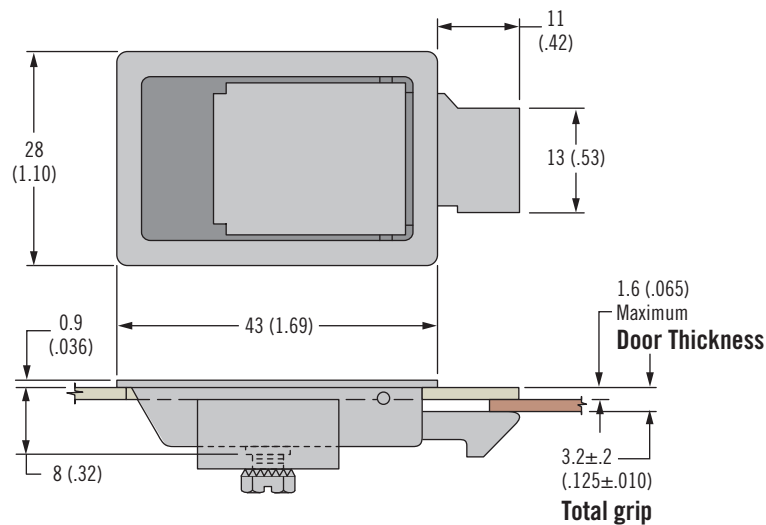
Max. working load: 90 N (20 lbf)

Operating temperature range:
-18°C (0°F) to 100°C (210°F)

Flammability rating: UL94-V0

Installation Notes

Maximum tightening torque on mounting screws: 0.9 N·m (8 in·lbf)



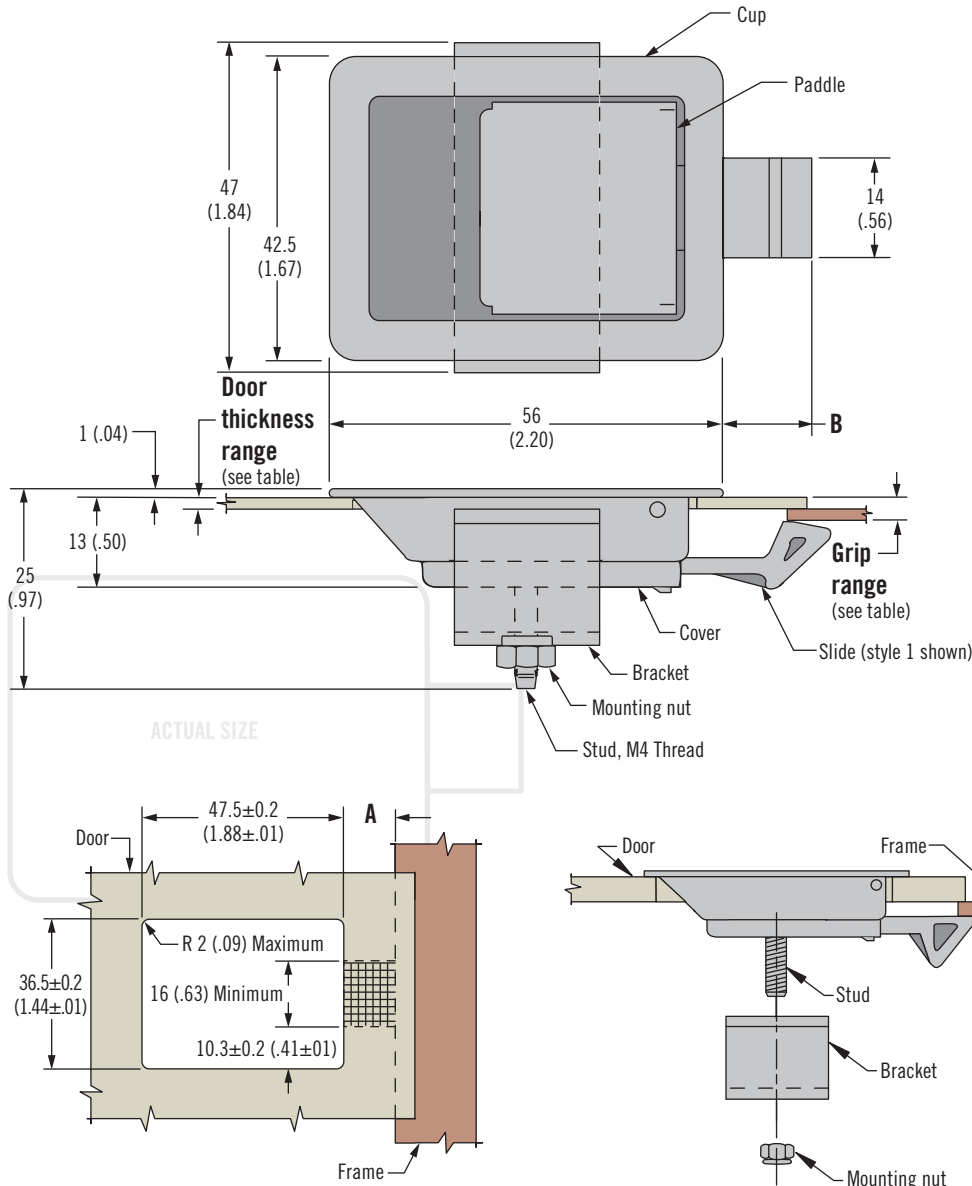
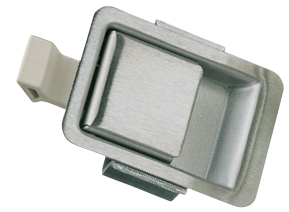
Part Number

See table

Part Number
64-01-10

64 Push-to-Close Latch

Pull-to-open · Paddle latch · Small



- Single hole installation
- Concealed mounting
- Plastic slide

Material and Finish

Stainless steel, passivated and brushed or black powder coated and glass-filled reinforced nylon, natural

Performance Details

Max. working load:

Style	Max. Static Load N
1	130 (30)
2	110 (25)
3	90 (20)
4	70 (15)
5	55 (12)

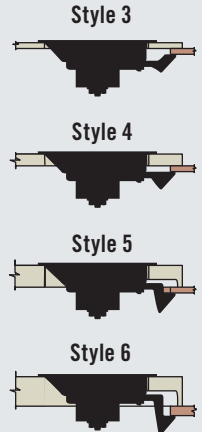
Operating temperature range:
-18°C (0°F) to 100°C (210°F)

Flammability rating: UL94-V0

Installation Notes

Door thickness must not exceed T dimension (see table) in area through which slide will operate. It may be necessary to reduce thickness of door in area indicated by grid.

Slide styles:



Grip Range		Slide Style	A		B	T (See Notes)	Part Number Brushed Finish			
Min.	Max.		Min.	Max.			Door Thickness Range			
							3.7 (.144) Maximum	3.9 - 7.3 (.154 - .288)	11.1 - 14.6 (.437 - .576)	18.6 - 22 (.734 - .868)
1.2 (.05)	2 (.08)	1	10.4 (.41)	12.7 (.50)	12.4 (.49)	1.6 (.063)	64-10-111-50	~	~	~
2.8 (.11)	3.6 (.14)	3	11.9 (.47)	14.2 (.56)	14.2 (.56)	3.2 (.125)	64-10-113-50	64-10-133-50	~	~
6 (.23)	6.7 (.27)	4				6.4 (.250)	64-10-124-50	64-10-114-50	~	~
12.3 (.48)	13.1 (.52)	5				7.1 (.281)	64-10-125-50	64-10-135-50	64-10-115-50	64-10-115-50
18.6 (.73)	19.4 (.77)	6				7.1 (.281)	64-10-126-50	~	64-10-116-50	64-10-116-50

Notes

For an assembly with black powder coated finish change last digit from 0 to 5 - Example: 64-10-111-55



64 Push-to-Close Latch

Pull-to-open · Paddle latch · Small

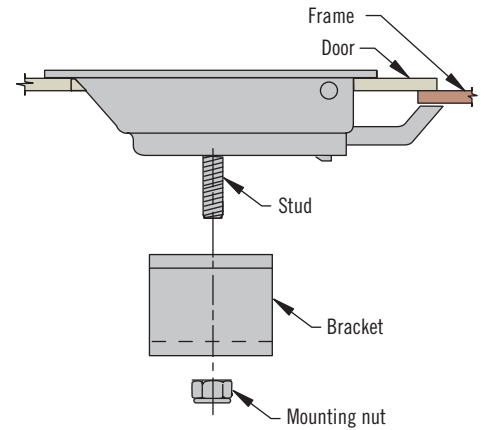
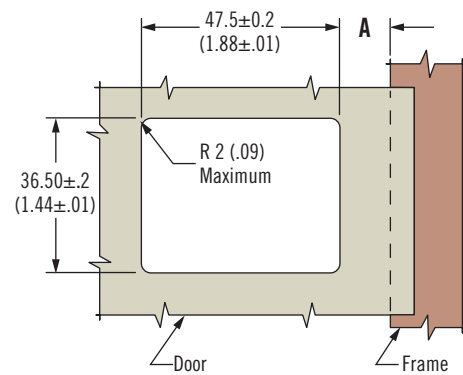
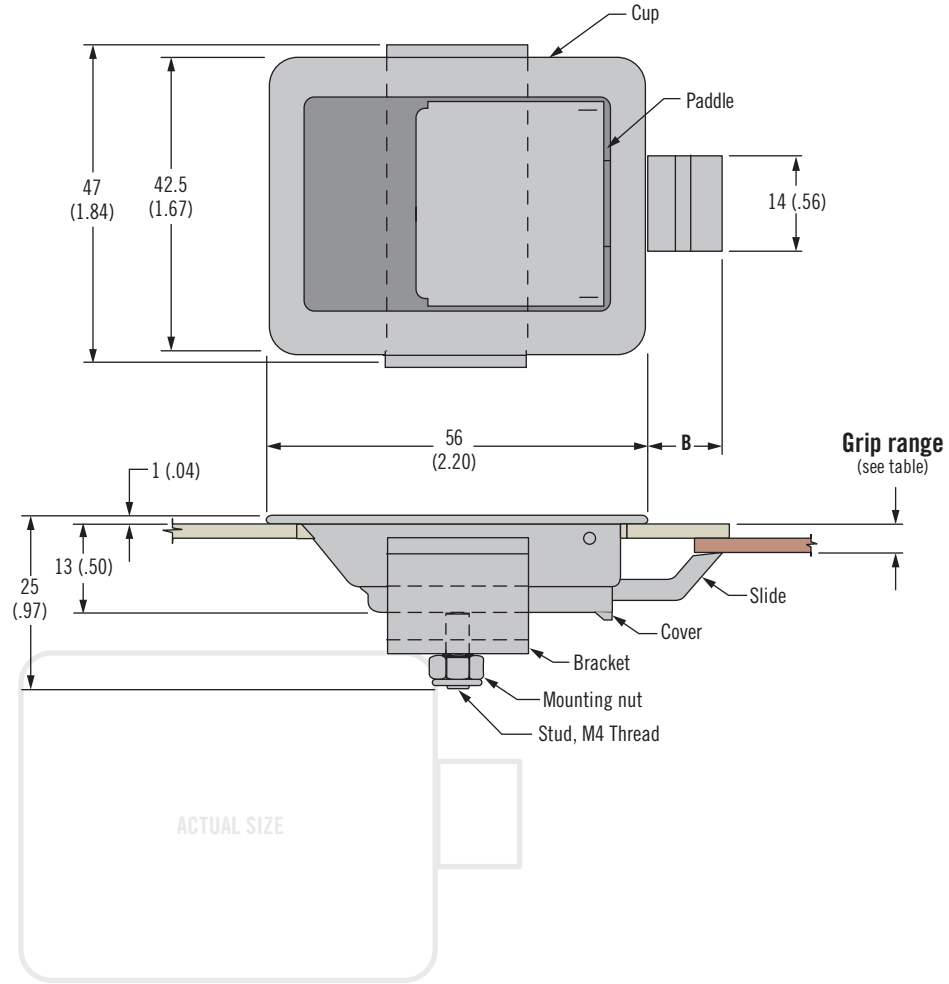
- Single hole installation
- Concealed mounting
- Metal slide

Material and Finish

Stainless steel passivated and brushed or black powder coated, steel, chrome plated

Performance Details

Max. working load: 222 N (50 lbf)



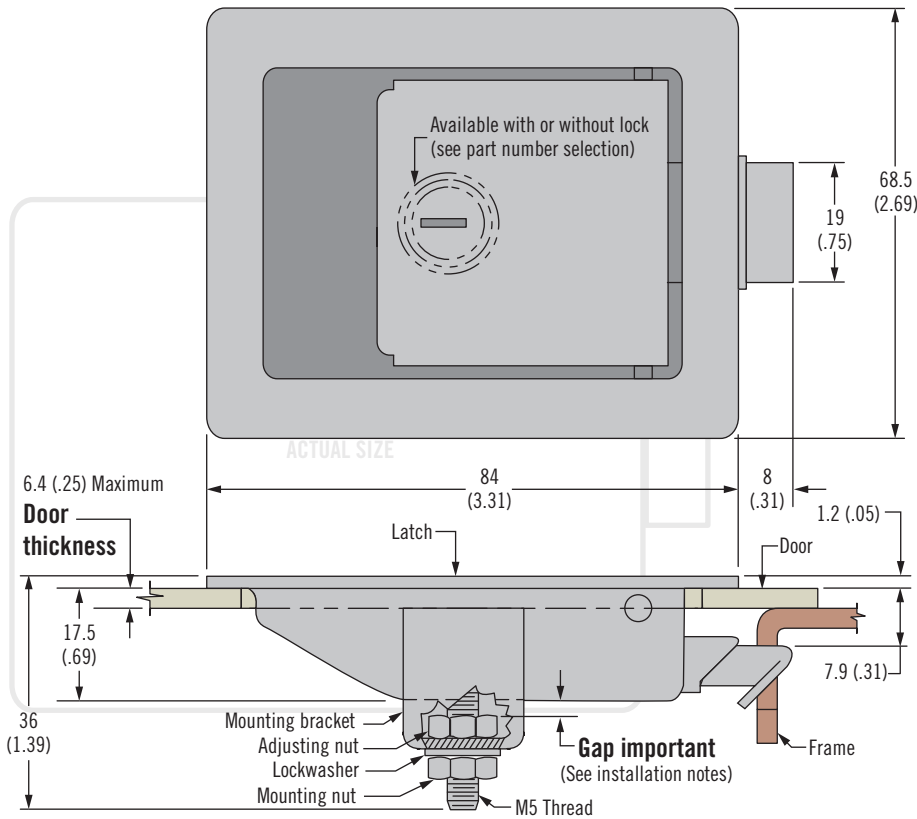
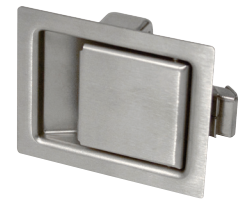
Part Number

See table

Grip Range		Part Number		A		B
Min.	Max.	Stainless Steel, Brushed	Stainless Steel Black Powder coated	Min.	Max.	
1.2 (.05)	2 (.08)	64-11-10	64-11-12	10.4 (.41)	12.7 (.50)	11.5 (.45)
2 (.08)	2.8 (.11)	64-11-20	64-11-22	11.2 (.44)	13.5 (.53)	11.9 (.47)
2.8 (.11)	3.6 (.14)	64-11-30	64-11-32	11.9 (.47)	14.2 (.56)	12 (.48)

64 Push-to-Close Latch

Pull-to-open · Paddle latch · Medium



- Single hole installation
- Concealed mounting
- Metal slide

Material and Finish

Stainless steel brushed, steel, zinc plated or steel, black powder coated or silver

Performance Details

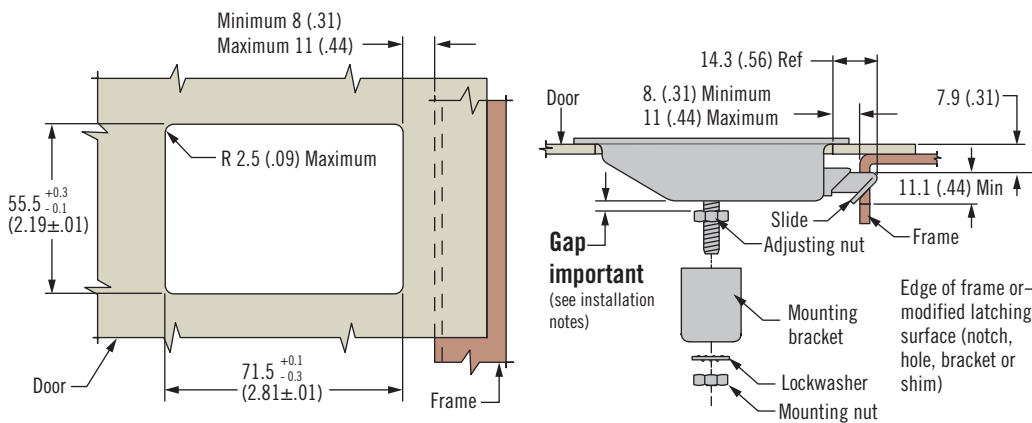
Max. working load: 570 N (125 lbf)

Installation Notes

Measure your door thickness and set adjusting nut so that GAP is equal to door thickness within plus 0.8 (.03), minus 0.0 (.00)

Accessories

Flat key, keyed alike H571
(2 keys per ring)
Part number: 64-0-33578



Part Number Selection

64 - 2 **L** - 1 **M**

- L** Lock style
- 1 Non-locking
 - 2 Key-locking keyed alike H571 (2 Flat keys supplied)

- M** Material
- 0 Stainless steel, brushed
 - 1 Steel, black powder coated
 - 3 Steel, zinc plated
 - 5 Steel, powder coated silver



64 Push-to-Close Latch

Pull-to-open · Paddle latch · Large

- Single hole installation
- Concealed mounting
- Metal slide

Material and Finish

Stainless steel, brushed, steel, zinc plated or steel, black powder coated

Performance Details

Max. working load: 1110 N (250 lbf)

Installation Notes

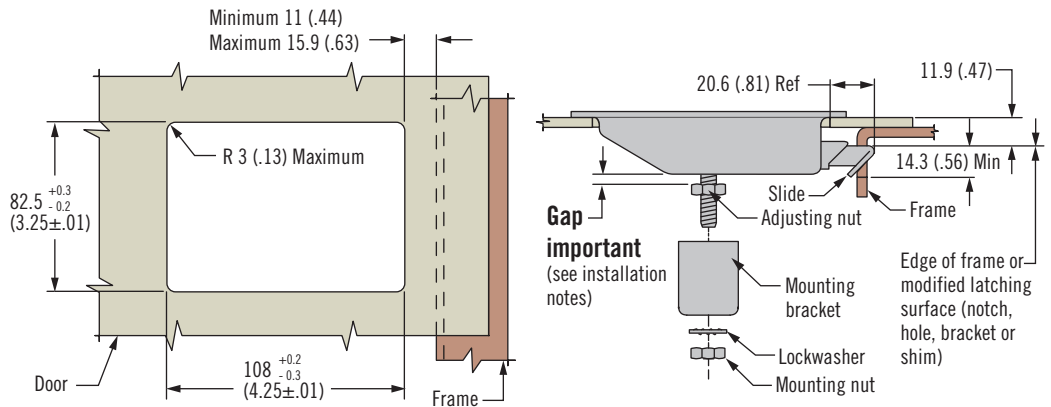
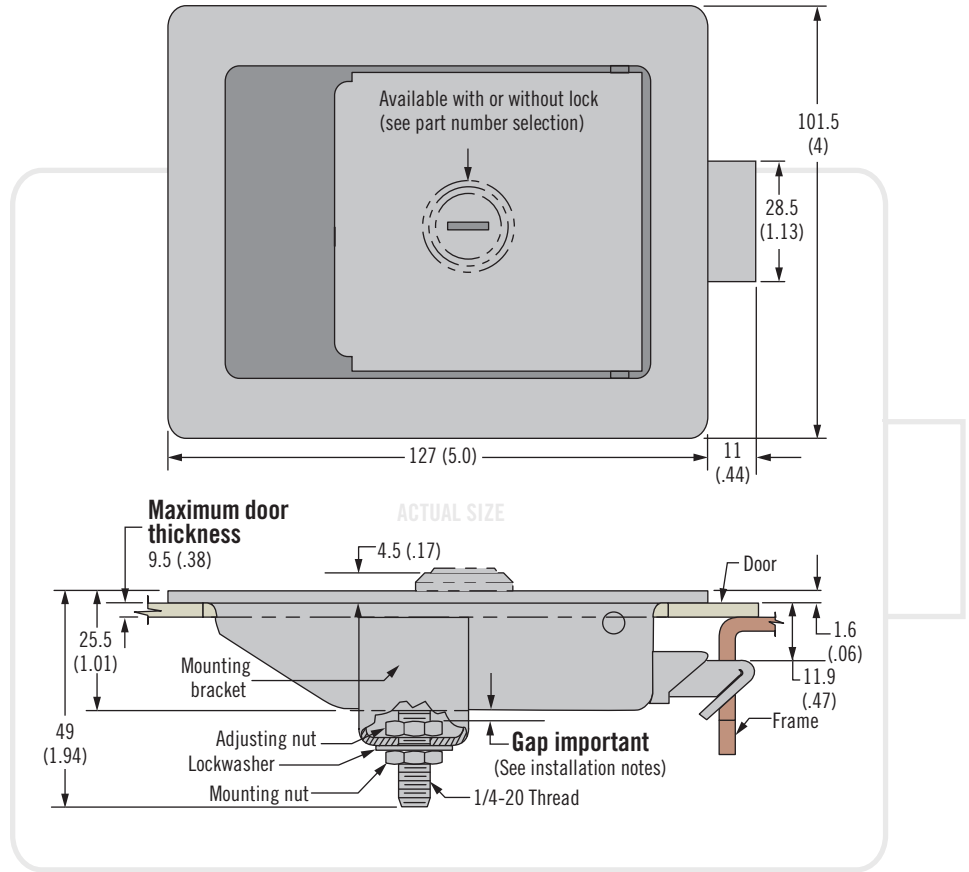
Measure your door thickness and set adjusting nut so that GAP is equal to door thickness within plus 0.8 (.03), minus 0.0 (.00)

Accessories

Flat key, keyed alike CH751
(2 keys per ring)
Part number: PK-10-01



Overmoulded key, keyed alike CH751
(2 keys per ring)
Part number: PK-10-01-05



Part Number Selection

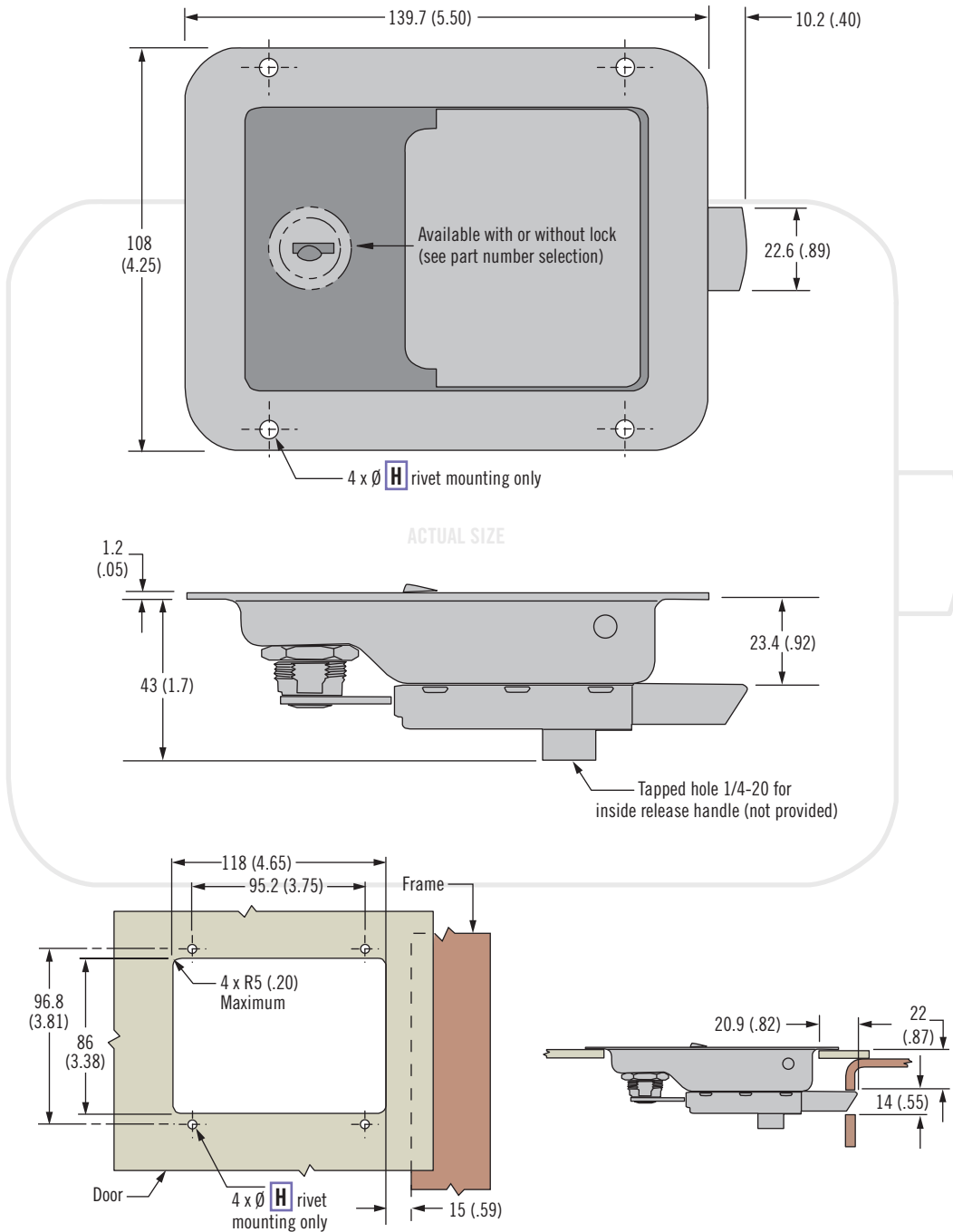
64 - 10 - 30 **L** - **M** 0

M Material
 4 Steel, zinc plated
 5 Stainless steel brushed
 9 Steel, black powder coated

- L** Lock style
 1 Non-locking
 2 Key-locking keyed alike CH751 (2 Flat keys supplied)

64 Push-to-Close Latch

Pull-to-open · Paddle latch · Large



- Single hole installation
- Multiple mounting styles
- Inside actuation in locked or unlocked position



Material and Finish

Stainless steel, polished, steel, zinc plated or steel, black powder coated

Slide bolt and lock assembly:
Zinc plated or powder coated

Performance Details

Max. working load: 560 N (125 lbf)

Accessories

Flat key, keyed alike CH751
(2 keys per ring)
Part number: PK-10-01



Overmoulded key, keyed alike CH751
(2 keys per ring)
Part number: PK-10-01-05



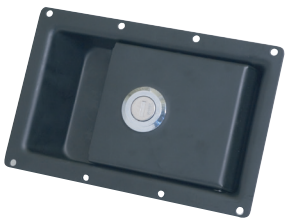
Part Number Selection

64 - 50 - 4 L H - M

M Material
 10 Steel, zinc plated
 20 Stainless steel polished
 50 Steel, black powder coated

L Lock style
 0 Non-locking
 1 Key-locking keyed alike CH751 (2 Flat keys supplied)

H Housing
 0 Weld
 1 Rivet through hole 4.9 (.19)
 2 Rivet through hole 5.2 (.20)



64 Push-to-Close Latch

Pull-to-open · Paddle latch · Heavy-duty pivot

- Robust design resists binding from dirt and debris
- Multiple mounting styles

Material and Finish

Steel, zinc plated or black powder coated

Slide bolt and lock assembly:
Zinc plated or powder coated

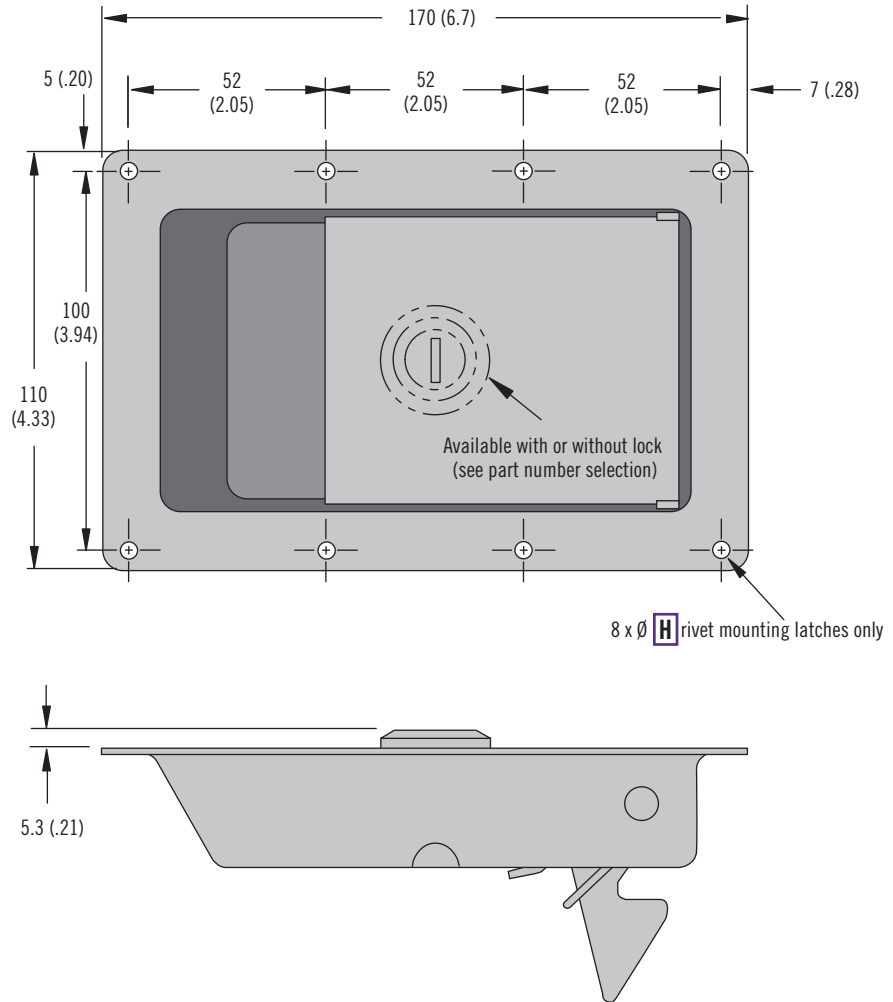
Performance Details

Max. working load: 2700 N (607 lbf)

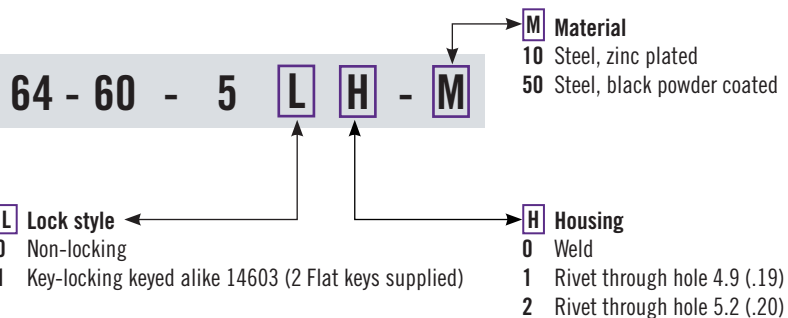
Accessories

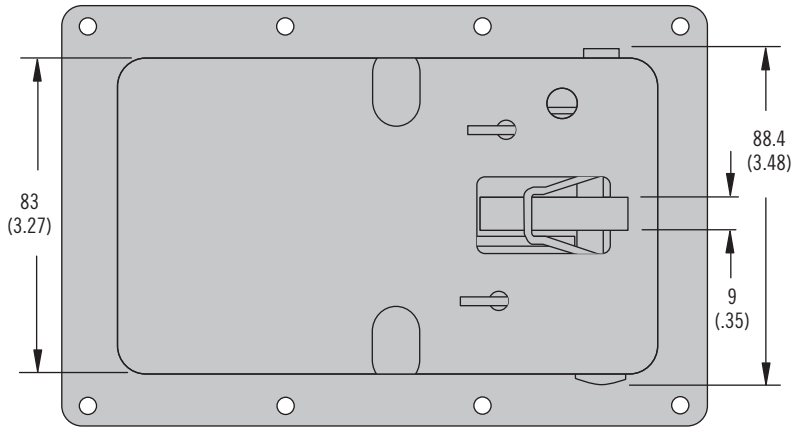
Flat key, keyed alike 14603
(2 keys per ring)

Part number: PK-10-01-14603



Part Number Selection





ACTUAL SIZE

