



# R4 Rotary Latch

Light-Duty · Concealed · Single and two stage

- Ideal for space limited applications
- Compatible with wide array of actuators
- Integrated bumper for anti-vibration feature

### Material and Finish

Steel, zinc or zinc nickel plated or 304 stainless steel, passivated

### Accessories

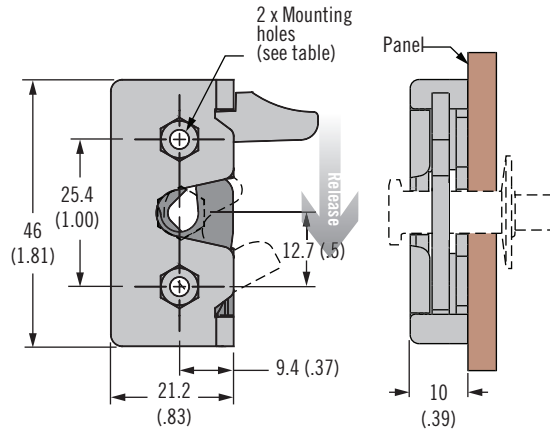
Cables and retainer clips see pages 322-323

### Notes

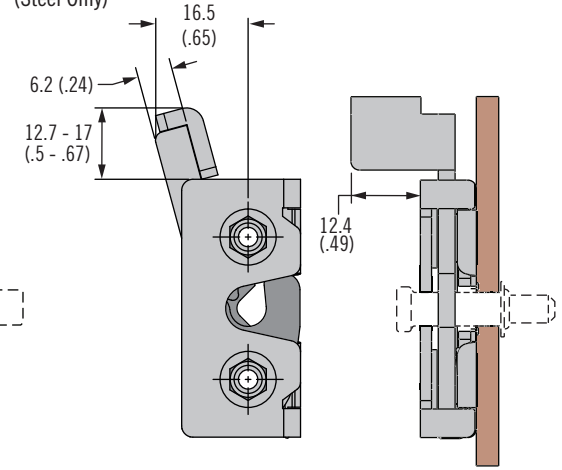
Electromechanical rotary latch available see page 20

For electrical actuation option see page 42

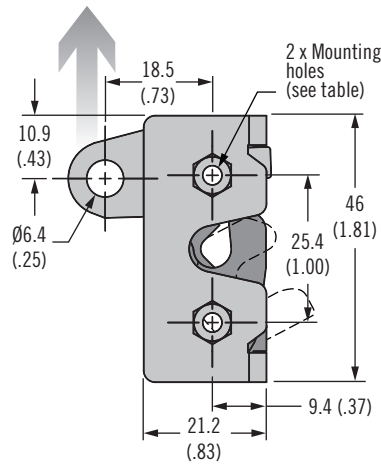
### Hand Actuation



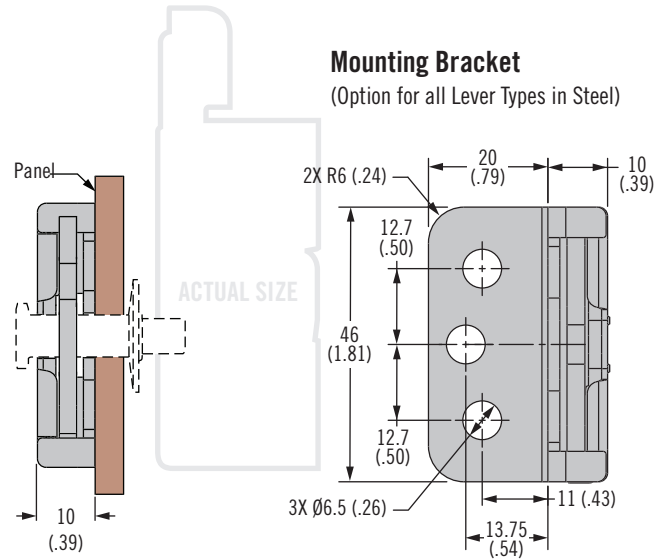
### Direct Actuation (Steel Only)



### Bottom Actuation



### Mounting Bracket (Option for all Lever Types in Steel)



### Part Number Selection

- S** Stage & Actuation
- 2 Single stage
  - 4 Two stage

- L** Lever Type
- 4 Hand Actuation
  - 5 Bottom Actuation
  - 9A Direct Actuation (M = 10, 15, and 77 material only)

**R4 - 05 - S I - L 0 B - M**

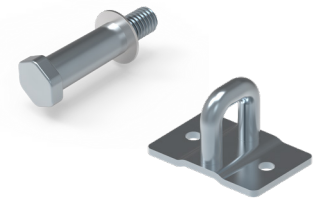
- I** Mounting Style
- 0 4.5 (.177) thru
  - 1 8-32 thread
  - 2 M4 x 0.7 thread
  - 3 4.5 (.177) thru with Mounting Bracket (M = 10, 15, and 77 material only)

- B** Base style
- 1 Standard
  - 5 Integrated bumper version

- M** Material
- 10 Steel, Zinc Plate
  - 15 Steel, Black Zinc Nickel
  - 20 Stainless Steel
  - 77 Steel, Zinc Nickel

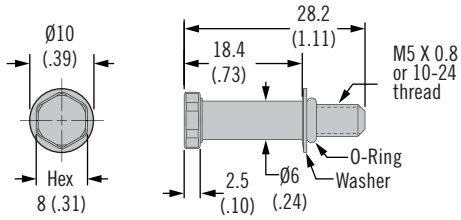
# R4 Rotary Latch

## Striker bolt · Light-duty · Installation



### Striker Bolt

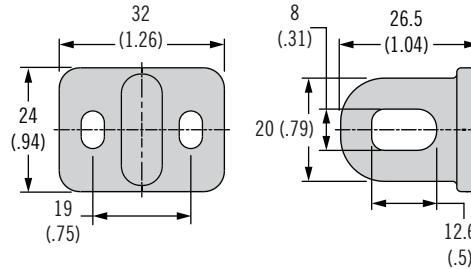
(sold separately)



Striker Bolt Part Number		
Part Number	Thread	Material
R4-90-0511-10	10-24-UNC	Steel
R4-90-0511-20	10-24-UNC	Stainless Steel
R4-90-0521-10	M5 X 0.8	Steel
R4-90-0521-20	M5 X 0.8	Stainless Steel

### Molded Striker

(sold separately)



Part Number	
Molded striker	R4-0-61336

### • Strikers for R4-05 series rotary latch

#### Material and Finish

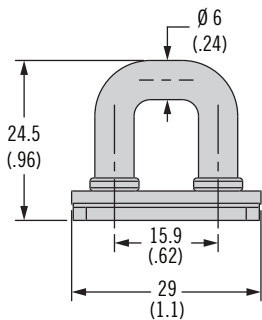
Steel, zinc nickel, zinc plated, black zinc nickel, Stainless Steel

#### Part Number

See tables

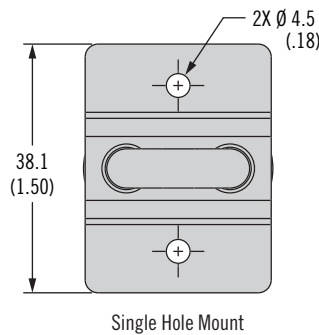
### Wire Form Strikers

(sold separately)



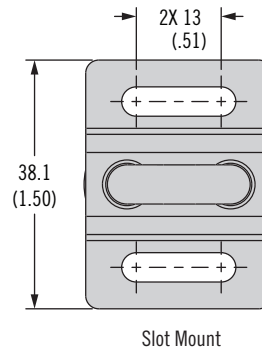
#### Single Hole Mount

R4-90-0501-XX



#### Slot Mount

R4-90-0502-XX



Wire Form Strikers		
Part Number	Mount	Material
R4-90-0501-10	Single Hole	Steel, Zinc Plated
R4-90-0501-15	Single Hole	Steel, Black Zinc Nickel
R4-90-0501-77	Single Hole	Steel, Zinc Nickel
R4-90-0502-10	Slot	Steel, Zinc Plated
R4-90-0502-15	Slot	Steel, Black Zinc Nickel
R4-90-0502-77	Slot	Steel, Zinc Nickel



# R4 Rotary Latch

Light-Duty · Concealed · Single and two stage

- Compatible with wide array of actuators
- EN 45545-3 E60 Compliant (Standard version only)
- Integrated bumper version for anti-vibration feature

### Material and Finish

Steel, zinc plated or 304 stainless steel, passivated

### Accessories

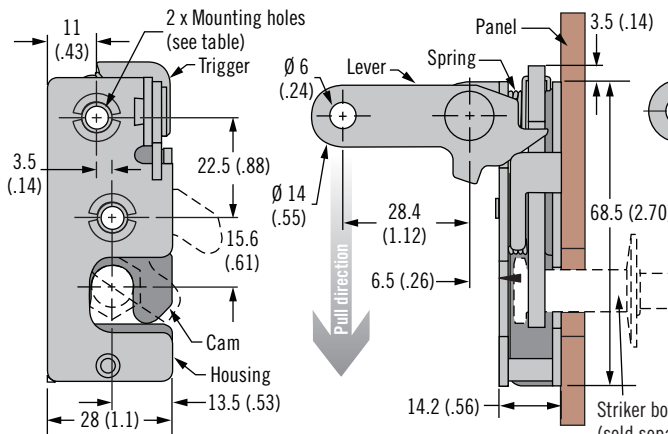
Striker bolts for standard version and integrated bumper version are different. See page 297 for both versions.

Cables and retainer clips see pages 322-323

### Notes

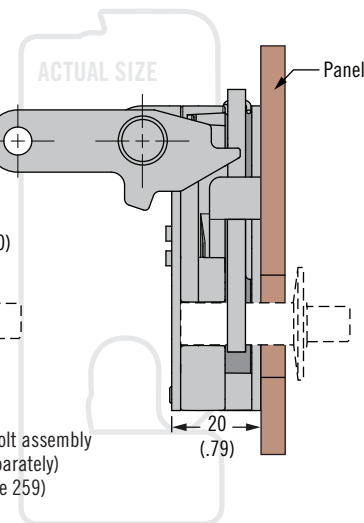
Electromechanical rotary latch available see page 20

### Single Stage - Perpendicular (left hand actuation shown)

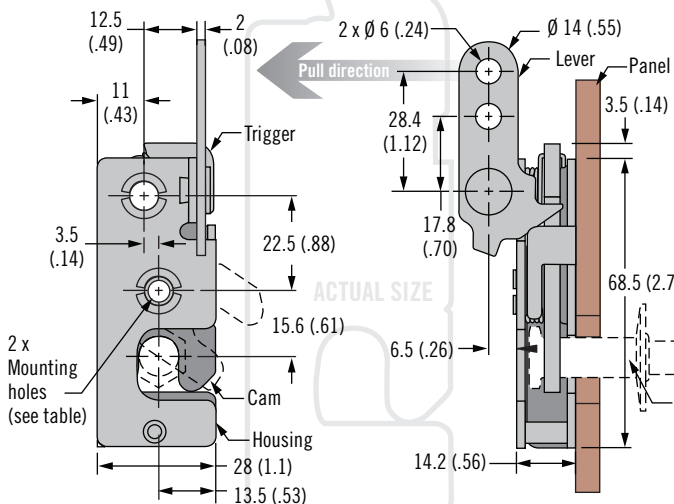


### Integrated Bumper Version (dimensions same as standard version except as shown)

(dimensions same as standard version except as shown)

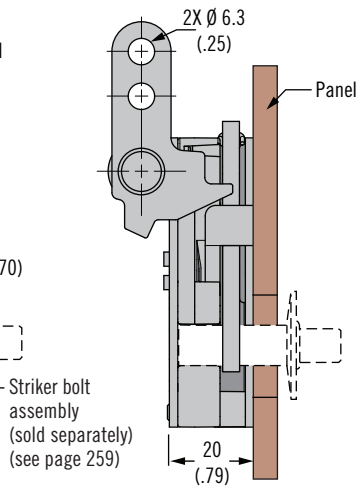


### Single Stage - In-Line (left hand actuation shown)



### Integrated Bumper Version (dimensions same as standard version except as shown)

(dimensions same as standard version except as shown)



### Part Number Selection

#### S Stage & Actuation

- 1 Single stage, right hand
- 2 Single stage, left hand
- 3 Two stage, right hand
- 4 Two stage, left hand

#### I Mounting Style

- 0  $\varnothing 7.2$  (.283) thru
- 1 1/4-20 thread
- 2 M6 x 1 thread

#### B Base Style

- 1 Standard
- 5 Integrated bumper version

#### L Lever Type

- 1 Perpendicular
- 2 In-Line

#### M Material

- 10 Steel
- 20 Stainless steel

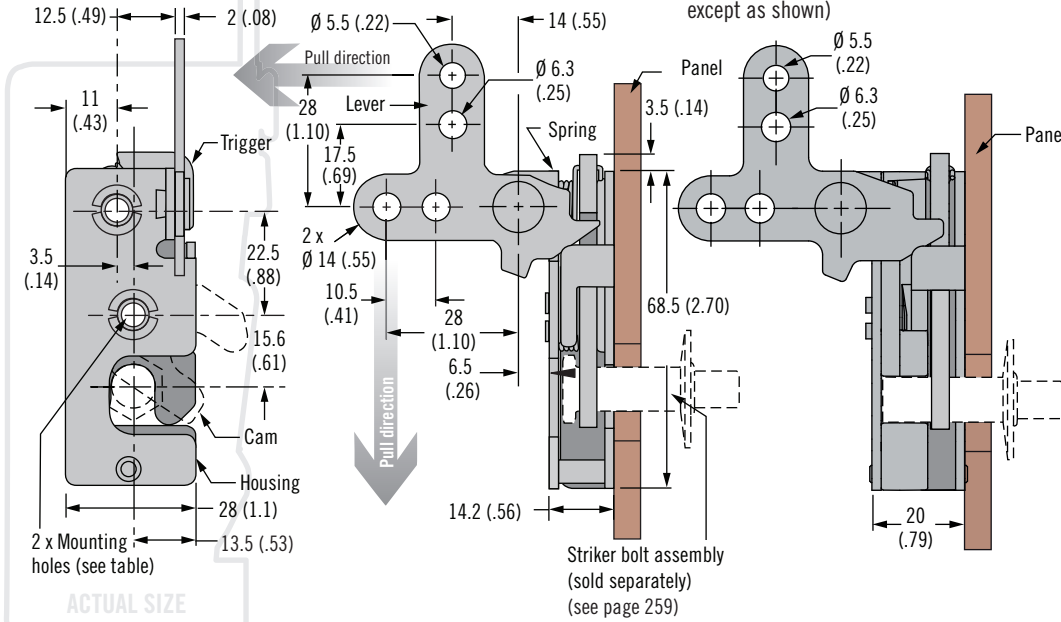
R4 - 10 - S I - L O B - M

# R4 Rotary Latch

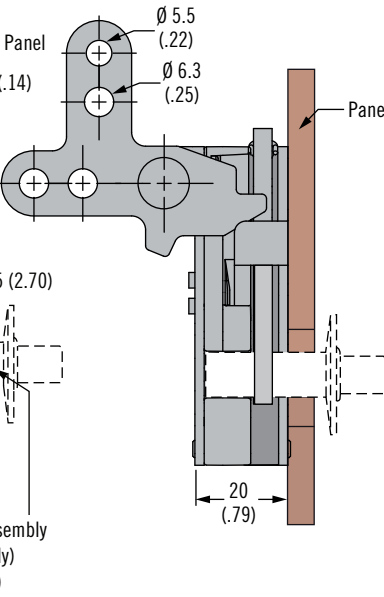
Light-Duty · Concealed · Single and two stage



## Single Stage - Two Point (left hand actuation shown)



## Integrated Bumper Version (dimensions same as standard version except as shown)



- Compatible with wide array of actuators
- EN 45545-3 E60 Compliant (Standard version only)
- Integrated bumper version for anti-vibration feature

### Material and Finish

Steel, zinc plated or 304 stainless steel, passivated

### Accessories

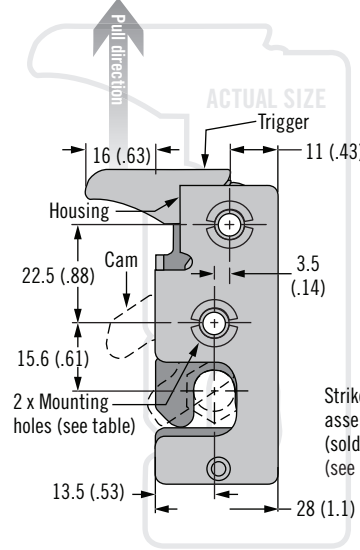
Striker bolts for standard version and integrated bumper version are different. See page 297 for both versions.

Cables and retainer clips see page 322-323

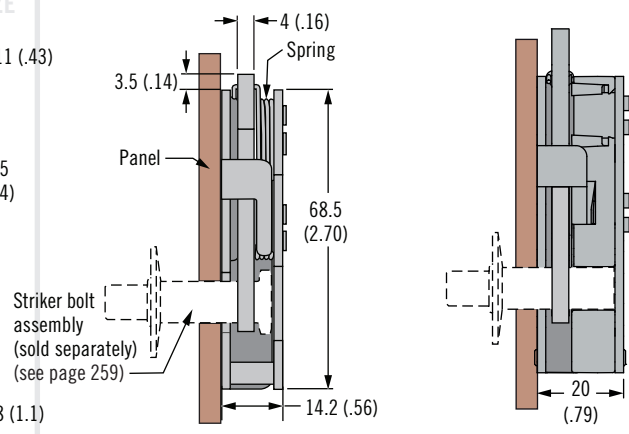
### Notes

Electromechanical rotary latch available see page 20

## Single Stage - Hand Actuation



## Integrated Bumper Version (dimensions same as standard version except as shown)



## Part Number Selection

**S** Stage & Actuation

- 1 Single stage, right hand
- 2 Single stage, left hand
- 3 Two stage, right hand
- 4 Two stage, left hand

**I** Mounting Style

- 0 Ø7.2 (.283) thru
- 1 1/4-20 thread
- 2 M6 x 1 thread

**B** Base Style

- 1 Standard
- 5 Integrated bumper version

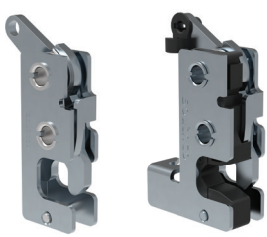
**L** Lever Type

- 3 Two point
- 4 Hand actuation

**M** Material

- 10 Steel
- 20 Stainless steel

**R4 - 10 - S I - L 0 B - M**



# R4 Rotary Latch

Light-Duty · Concealed · Single and two stage

- Compatible with wide array of actuators
- EN 45545-3 E60 Compliant (Standard version only)
- Integrated bumper version for anti-vibration feature

### Material and Finish

Steel, zinc plated or 304 stainless steel, passivated

### Accessories

Striker bolts for standard version and integrated bumper version are different. See page 297 for both versions.

Cables and retainer clips see pages 322-323

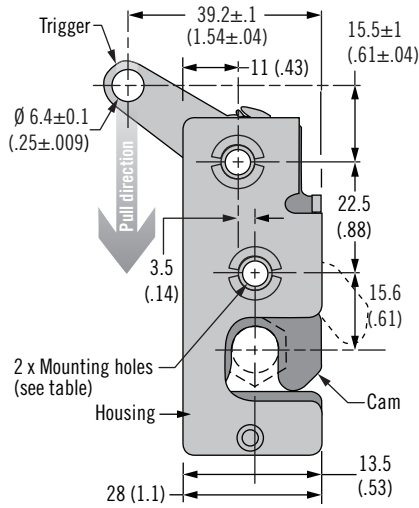
### Notes

Electromechanical rotary latch available see page 20

For electrical actuation option see page 43

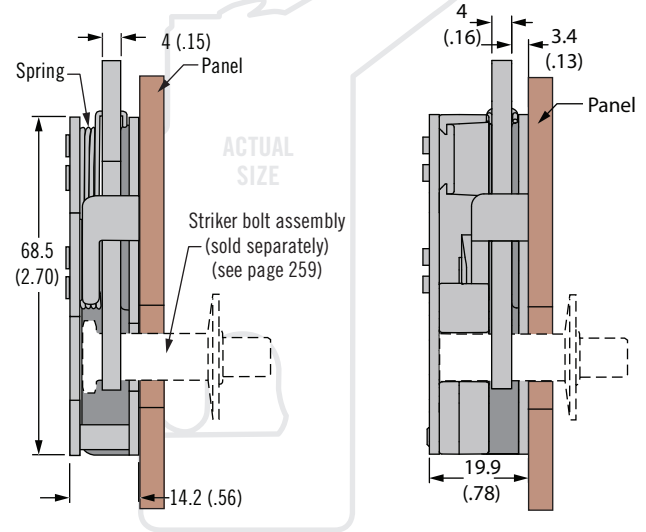
### Single Stage - Bottom

(left hand actuation shown)



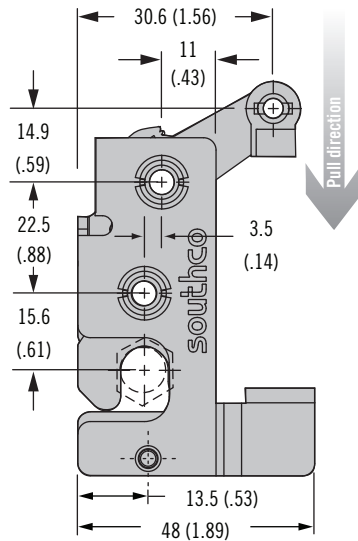
### Integrated Bumper Version

(dimensions same as standard version except as shown)



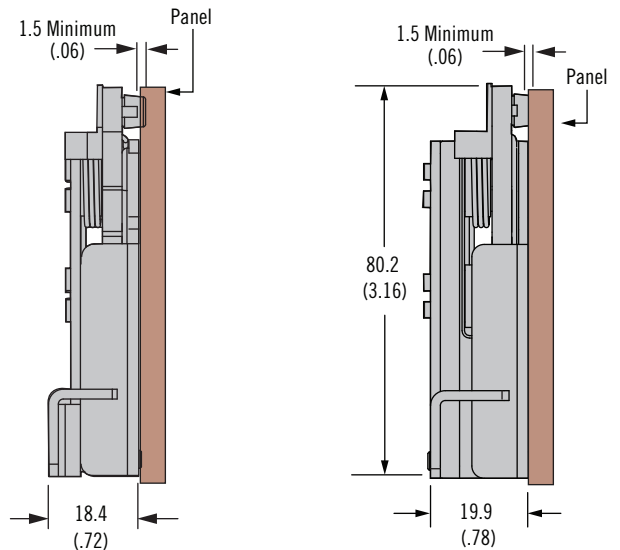
### Single Stage - Bottom with Cable Bracket

(Right hand actuation shown)



### Integrated Bumper Version

(dimensions same as standard version except as shown)



### Part Number Selection

**R4 - 10 - S I - 50 B - M**

#### S Stage & Actuation

- 1 Single stage, right hand
- 2 Single stage, left hand
- 3 Two stage, right hand
- 4 Two stage, left hand

#### I Mounting Style

- 0 Ø7.2 (.283) thru
- 1 1/4-20 thread
- 2 M6 x 1 thread

#### B Base Style

- 1 Standard
- 2 Standard with cable bracket
- 5 Integrated bumper
- 6 Integrated bumper with cable bracket

#### M Material

- 10 Steel
- 20 Stainless steel

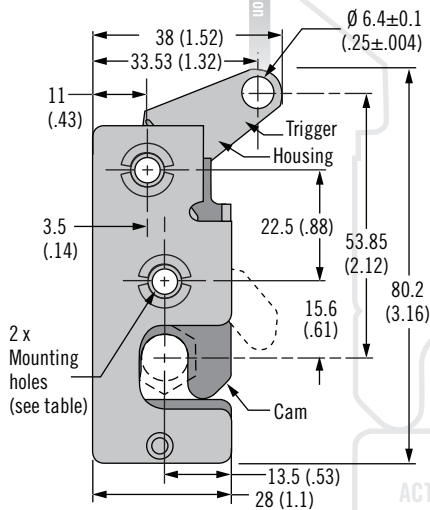
# R4 Rotary Latch

Light-Duty · Concealed · Single and two stage



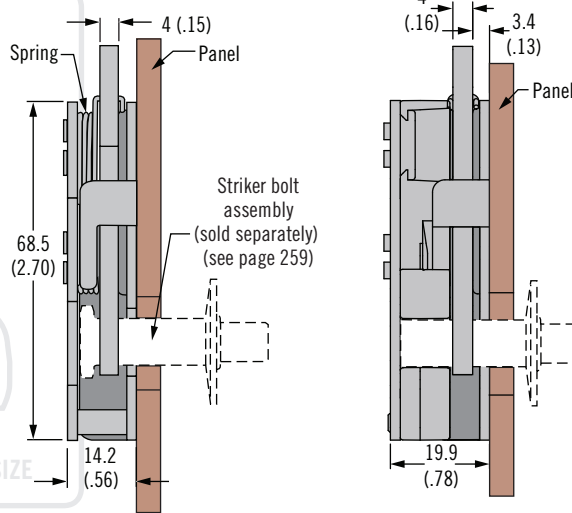
## Single Stage - Top

(left hand actuation shown)



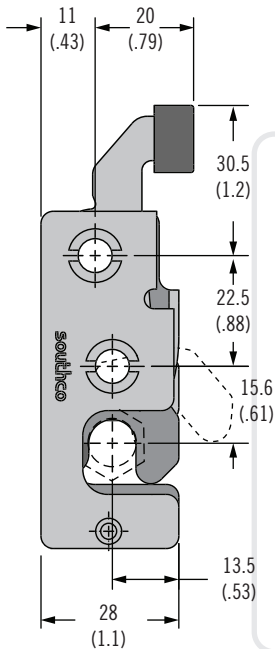
## Integrated Bumper Version

(dimensions same as standard version except as shown)



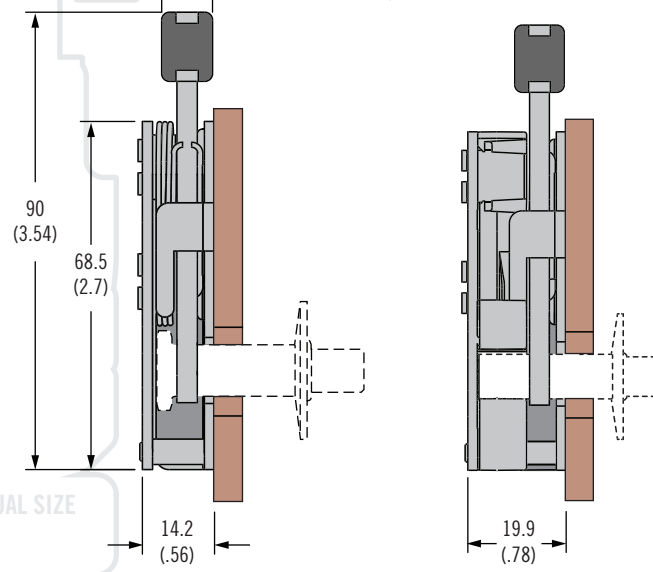
## Single Stage - Direct Actuation

(left hand actuation shown)



## Integrated Bumper Version

(dimensions same as standard version except as shown)



- Compatible with wide array of actuators
- EN 45545-3 E60 Compliant (Standard version only)
- Integrated bumper version for anti-vibration feature

## Material and Finish

Steel, zinc plated

## Accessories

Striker bolts for standard version and integrated bumper version are different. See page 297 for both versions.

Cables and retainer clips see page 322-323

Trigger - use retaining clip

R4-0-43922-2

Lever - use retaining clip

R4-0-43922

## Notes

Electromechanical rotary latch available see page 20

## Part Number Selection

### S Stage & Actuation

- 1 Single stage, right hand
- 2 Single stage, left hand
- 3 Two stage, right hand
- 4 Two stage, left hand

### L Lever Type

- 6 Top
- 9 Direct Actuation

R4 - 10 - S I - L 0 B - M

### I Mounting Style

- 0  $\text{Ø } 7.2$  (.283) thru
- 1 1/4-20 thread
- 2 M6 x 1 thread

### B Base Style

- 1 Standard
- 5 Integrated bumper version

### M Material

- 10 Steel
- 20 Stainless steel



# R4 Rotary Latch

Light-duty · Concealed · Dual Trigger · Single and two stage

- Direct actuation, no cable or rod required
- Integrated bumper version for anti-vibration feature
- EN 45545-3 E60 Compliant (Standard version only)

### Material and Finish

Steel, zinc plated or 304 stainless steel, passivated

### Accessories

Striker bolts for standard version and integrated bumper version are different. See page 297 for both versions.

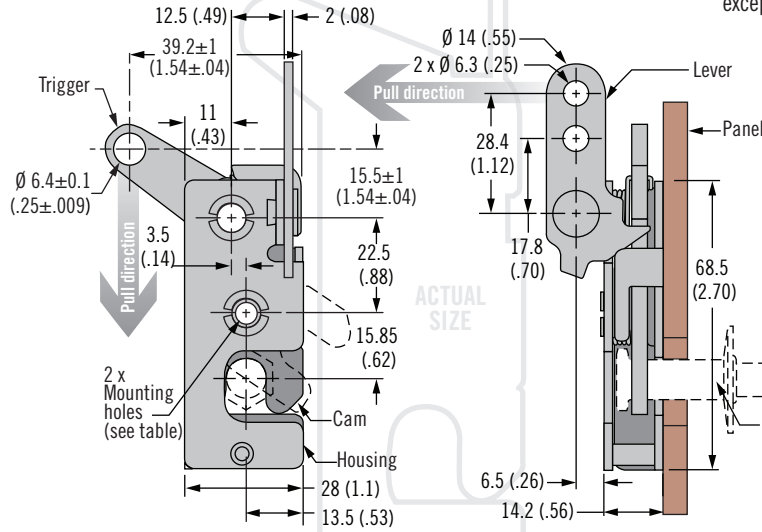
### Notes

Electromechanical rotary latch available see page 20

For electrical actuation option for bottom lever designs, see page 43

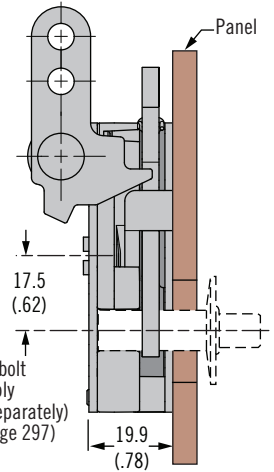
### Single Stage - Dual Trigger - Bottom

(left hand actuation shown)



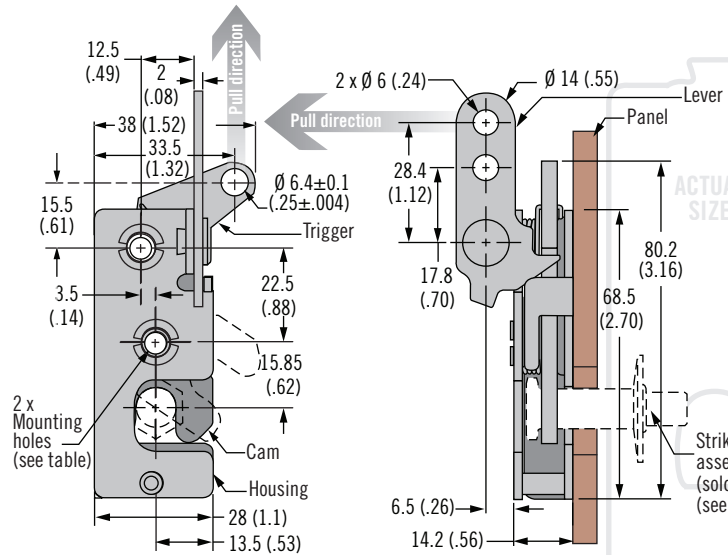
### Integrated Bumper Version

(dimensions same as standard version except as shown)



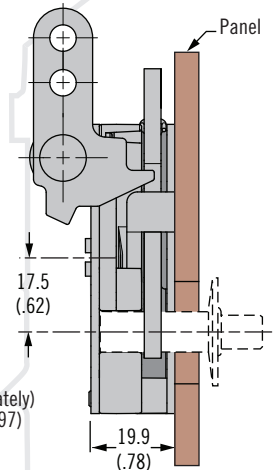
### Single Stage - Dual Trigger - Top

(left hand actuation shown)



### Integrated Bumper Version

(dimensions same as standard version except as shown)



### Part Number Selection

#### S Stage & Actuation

- 1 Single stage, right hand
- 2 Single stage, left hand
- 3 Two stage, right hand
- 4 Two stage, left hand

#### L Lever Type

- 7 Dual trigger, bottom
- 8 Dual trigger, top

R4 - 10 - S I - L O B - M

#### I Mounting Style

- 0 Ø7.2 (.283) thru
- 1 1/4-20 thread
- 2 M6 x 1 thread

#### B Base Style

- 1 Standard
- 5 Integrated bumper version

#### M Material

- 10 Steel

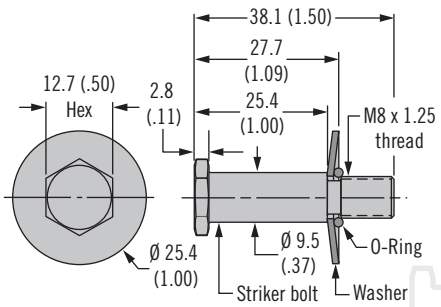


# R4 Rotary Latch

## Striker bolt · Light-duty · Installation

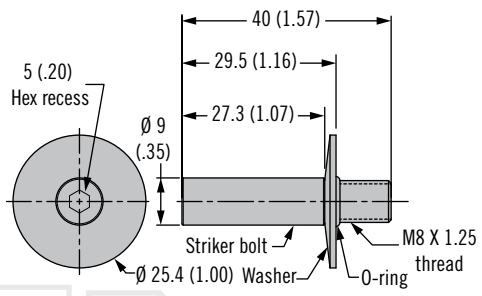
### Striker Bolt Assembly - Standard

(sold separately)



### Striker Bolt Assembly - Integrated Bumper

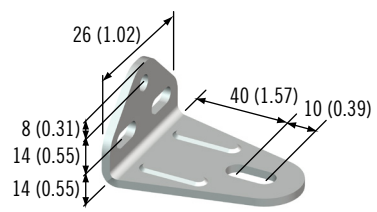
(sold separately)



Striker Bolt Standard	
Part Number	Material
R4-90-121-10	Steel, Zinc Plated
R4-90-121-20	Stainless Steel

Striker Bolt Integrated Bumper	
Part Number	Material
R4-90-124-10	Steel, Zinc Plated
R4-90-124-20	Stainless Steel

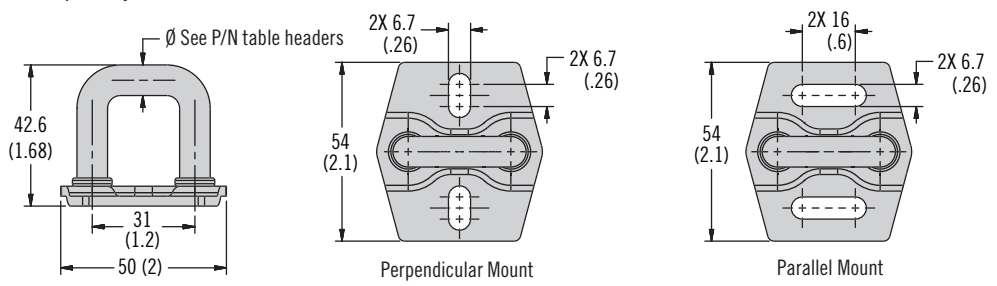
### Striker 90° Mounting Bracket



Striker Mounting Bracket	
Part Number	Material
R4-0-50114	Stainless Steel

### Wire Form Strikers

(sold separately)



Wire Form Strikers - Standard Ø9.2 (.36)		
Part Number	Mount	Material
R4-90-101-10	Perpendicular	Steel, Zinc Plated
R4-90-101-15	Perpendicular	Steel, Black Zinc Nickel Plated
R4-90-101-20	Perpendicular	Stainless Steel
R4-90-101-77	Perpendicular	Steel, Zinc Nickel Plated
R4-90-102-10	Parallel	Steel, Zinc Plated
R4-90-102-15	Parallel	Steel, Black Zinc Nickel Plated
R4-90-102-20	Parallel	Stainless Steel
R4-90-102-77	Parallel	Steel, Zinc Nickel Plated

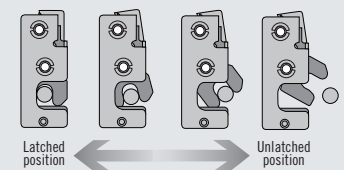
Wire Form Strikers -Integrated Bumper Ø9 (.35)		
Part Number	Mount	Material
R4-90-104-10	Perpendicular	Steel, Zinc Plated
R4-90-104-15	Perpendicular	Steel, Black Zinc Nickel Plated
R4-90-104-20	Perpendicular	Stainless Steel
R4-90-104-77	Perpendicular	Steel, Zinc Nickel Plated
R4-90-106-10	Parallel	Steel, Zinc Plated
R4-90-106-15	Parallel	Steel, Black Zinc Nickel Plated
R4-90-106-20	Parallel	Stainless Steel
R4-90-106-77	Parallel	Steel, Zinc Nickel Plated

### • Strikers for R4-10 series rotary latch

#### Material and Finish

Steel, zinc plated Steel, zinc nickel plated, Steel, black zinc nickel plated, Stainless Steel, passivated

#### Operation



#### Part Number

See tables



# R4 Rotary Latch

Medium-Duty - Tool / Key Actuated

- Tool or key operation
- High cycle life
- Meets tool access standard

### Material and Finish

Housing, trigger, actuator, pivot pin: Steel, zinc plated, or black zinc nickel plated

### Accessories

Standard head style keys

see page 121

Heavy duty head style key

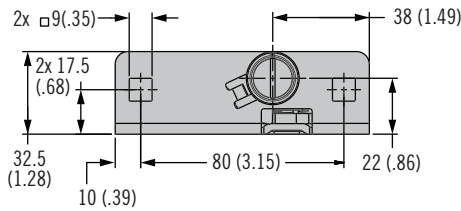
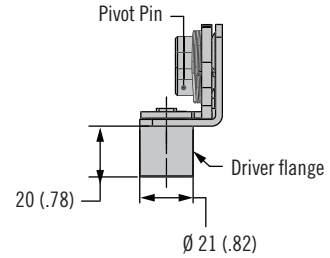
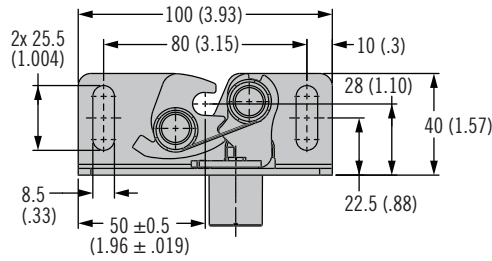
see page 297C

Striker options see page 297C

### Notes

Electromechanical rotary latch available see page 20

### Standard Head Styles



### Standard Head Styles

<b>00</b>  Slotted recess	<b>01</b>  8 (.32) Hex recess	<b>02</b>  7 (.28) Triangle	<b>03</b>  8 (.32) Triangle	<b>04</b>  7 (.28) Square	<b>05</b>  8 (.32) Square	<b>06</b>  3 (.11) Double bit
<b>07</b>  5 (.19) Double bit	<b>08</b>  8 (.32) Square recess	<b>13</b>  Bellcore 216	<b>15</b>  9 (.32) Triangle	<b>19</b>  Bellcore electronics	<b>21</b>  Recessed Slot	<b>22</b>  Railway standard

### Part Number Selection

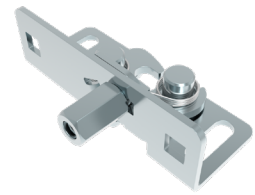
R4 - 15 - 10 - WW0 - XX

WW Actuation Style

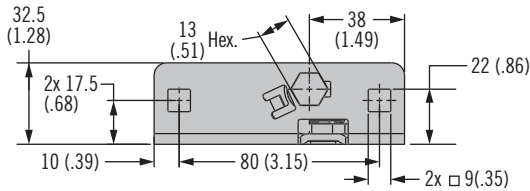
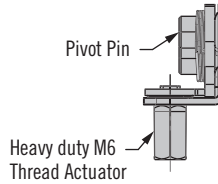
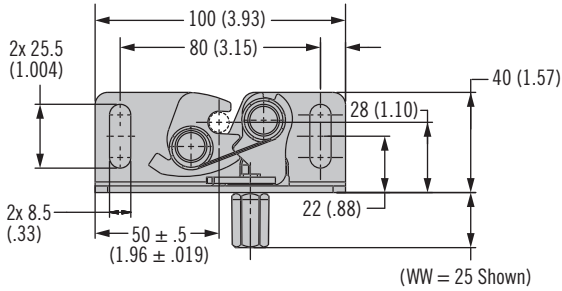
XX Latch finish  
10 Zinc plated  
15 Black zinc nickel plated

# R4 Rotary Latch

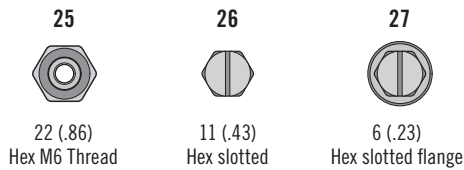
## Medium-Duty - Tool / Key Actuated



### Heavy Duty Head Styles



### ww Heavy Duty Head Styles



- Tool or key operation
- High cycle life
- Meets tool access standard

### Material and Finish

Housing, trigger, actuator, pivot pin: Steel, zinc plated, or black zinc nickel plated

### Accessories

Standard head style keys see page 121  
Heavy duty head style key see page 297C  
Striker options see page 297C

### Notes

Electromechanical rotary latch available see page 20

### Part Number Selection

**R4 - 15 - 10 - WW0 - XX**

**ww** Actuation Style

**xx** Latch finish  
10 Zinc plated  
15 Black zinc nickel plated



# R4 Rotary Latch

Medium-Duty - Tool / Key Actuated

- Tool or key operation
- High cycle life
- Meets tool access standard

## Material and Finish

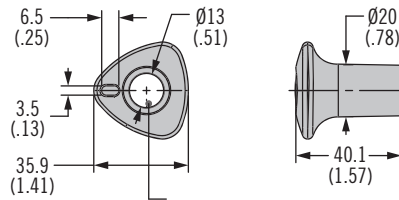
Housing, trigger, actuator, pivot pin: Steel, zinc plated, or black zinc nickel plated

## Accessories

Standard head style keys  
see page 121

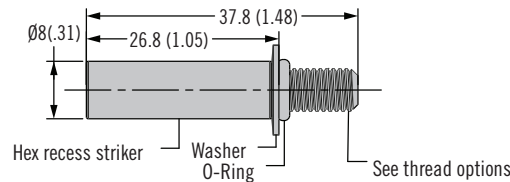
## Notes

Electromechanical rotary latch  
available see page 20



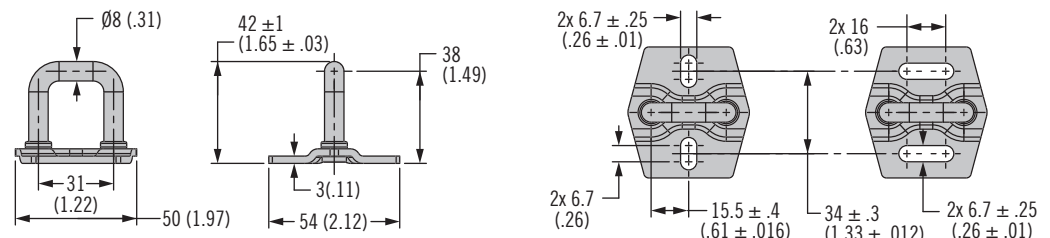
Key for Heavy Duty Head Styles		
Part Number	Material	Finish
R4-64-500-10	Zamak	Zinc plated
R4-64-500-15	Zamak	Black zinc nickel

## Striker Bolt



Part Number	Thread	Material	Finish
R4-90-514-10	1/4-28 UNF	Steel	Zinc plated
R4-90-524-10	M6 x 1	Steel	Zinc plated
R4-90-514-15	1/4-28 UNF	Steel	Black zinc nickel
R4-90-524-15	M6 x 1	Steel	Black zinc nickel

## Wire Form Strikers



Part Number	Description	Material	Finish
R4-90-1504-10	U-Striker assembly, Perpendicular mount	Steel	Zinc plated
R4-90-1504-15	U-Striker assembly, Perpendicular mount	Steel	Black zinc nickel
R4-90-1506-10	U-Striker assembly, Parallel mount	Steel	Zinc plated
R4-90-1506-15	U-Striker assembly, Parallel mount	Steel	Black zinc nickel

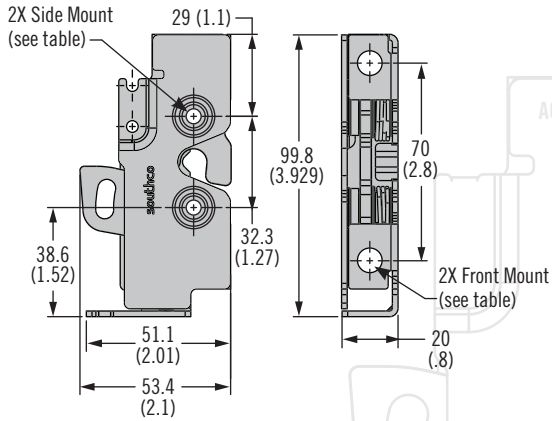
# R4 Rotary Latch

## Medium-Duty – Concealed

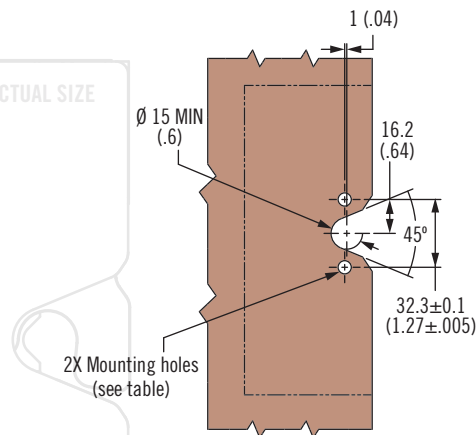


297D

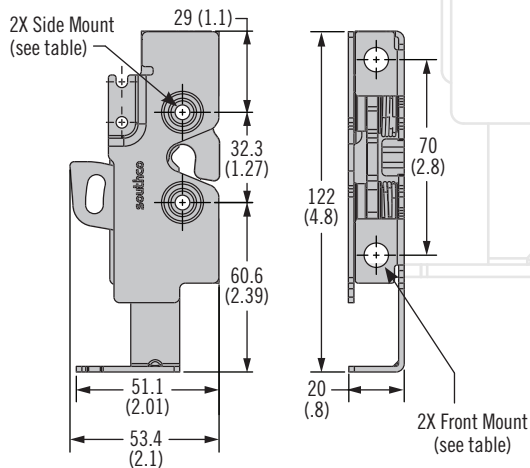
### Latch with mount for cable without return assist spring



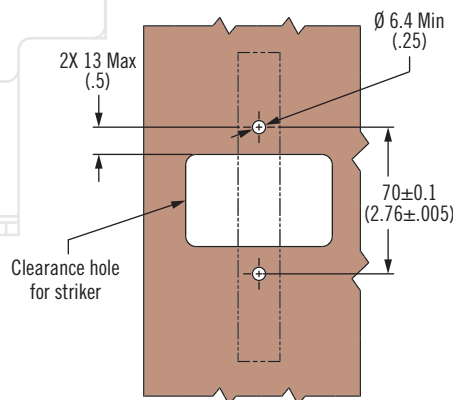
### Panel preparation side mount



### Latch with mount for cable with return assist spring



### Panel preparation front mount



- Symmetrical design with cable mount simplifies installation
- Integrated bumper reduces noise and dampens vibration
- Front or side mount

### Material and Finish

Steel, zinc plate or zinc nickel plate

### Accessories

Strikers see page 297 for 9mm diameter (integrated bumper) solutions.

Cables and retainer clips see pages 322-323

### Part Number Selection

**R4 - 25 - 2 I 0 - 5 0 0 B - MM**

**I**

#### Mounting Style

- 0 Side mount Ø6.7(.283) thru
- 1 Side mount 1/4-20 thread
- 2 Side mount M6 x 1 thread
- 3 Front mount (M6) with side mount Ø6.7(.283) thru

**MM**

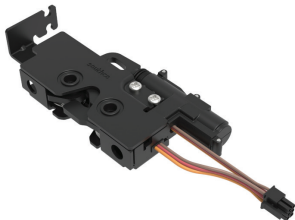
#### Material

- 10 Steel, zinc plated
- 15 Steel, black zinc nickel

**B**

#### Base Style

- 2 Mount for cable with return spring assist, no bumper
- 3 Mount for cable without return spring assist, no bumper
- 6 Mount for cable with return spring assist, with bumper
- 7 Mount for cable without return spring assist, with bumper



# R4 Rotary Latch

Medium-Duty – Concealed – Electronic Operation and Door Sensing

- Symmetrical design with cable mount simplifies installation
- Integrated bumper reduces noise and dampens vibration
- Front or side mount
- Sensor verifies door closure
- Sealed (IP67) 12VDC actuator enables remote electrical operation
- Latch releases reliably under high load

### Material and Finish

Steel, zinc plate or zinc nickel plate

### Electronic specifications:

Operating voltage 12 VDC nominal

Operating current < 300mA

Temperature -40 to 80°C

Sealed (IP67 / Class 1 Division 2)

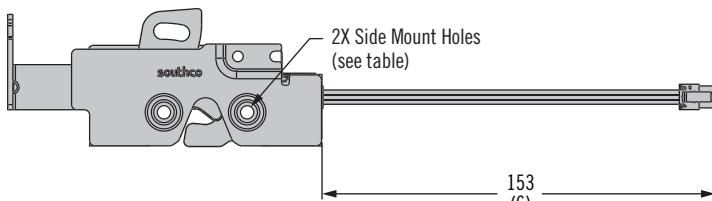
### Accessories

Strikers see page 297 for 9mm diameter (integrated bumper) solutions

Cables and retainer clips see pages 322-323

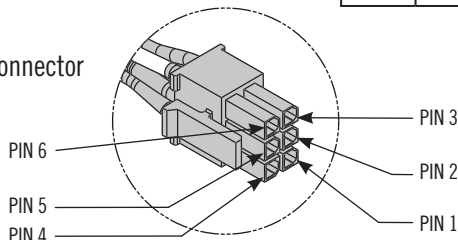
### Latch with door sensor

(with mount for cable with return assist spring shown)



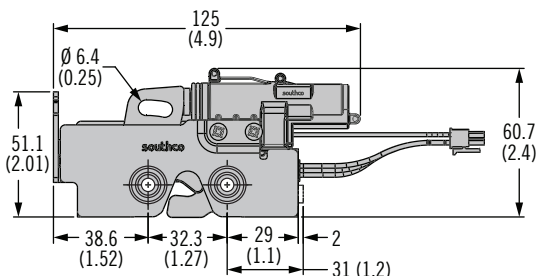
Switch Pin Out	
Pin	Function
1	No connect
2	No connect
3	No connect
4	Switch common
5	Door secure
6	Door open

Molex Micro-Fit 3.0 connector



### Latch with door sensor and sealed electronic actuator

(with mount for cable without return assist spring shown)



Switch with Actuator Pin Out	
Pin	Function
1	Ground
2	Power release
3	Power relock
4	Switch common
5	Door secure
6	Door open

Enable wireless operation with Southco's **BLUETOOTH®** Controller



### Part Number Selection

**R4 - 25 - 2 I S - 5 1 E B - MM**

- I** Mounting Style
  - 0 Side mount  $\varnothing 6.7(.283)$  thru
  - 1 Side mount 1/4-20 thread
  - 2 Side mount M6 x 1 thread
  - 3 Front mount (M6) with side mount  $\varnothing 6.7(.283)$  thru
- S** Latch Release Options
  - 0 Kick-out spring
  - 1 Pull-to-open
- E** Electronic Actuation Options
  - 0 None (latch with switch only)
  - B 12VDC sealed (latch with switch and electronic actuator)
  - 6 5VDC sealed (latch with switch and electronic actuator)
- MM** Material
  - 10 Steel, zinc plated
  - 15 Steel, black zinc nickel
- B** Base Style
  - 2 Mount for cable with return spring assist, no bumper
  - 3 Mount for cable without return spring assist, no bumper
  - 6 Mount for cable with return spring assist, with bumper
  - 7 Mount for cable without return spring assist, with bumper



# R4 Rotary Latch

Medium-Duty · Concealed · Single and two stage

- Compatible with wide array of actuators
- Hand actuation option
- EN 45545-3 E60 Compliant

### Material and Finish

Steel, zinc plated or 304 stainless steel, passivated

### Accessories

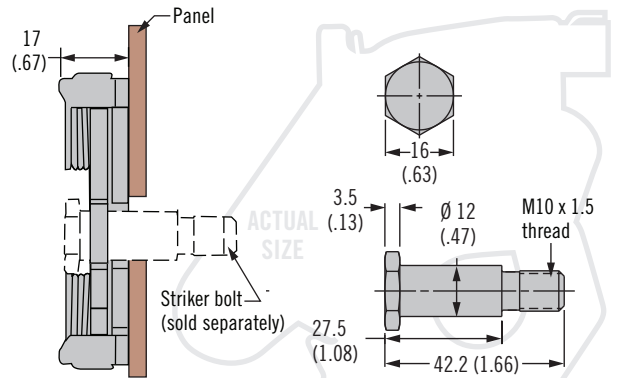
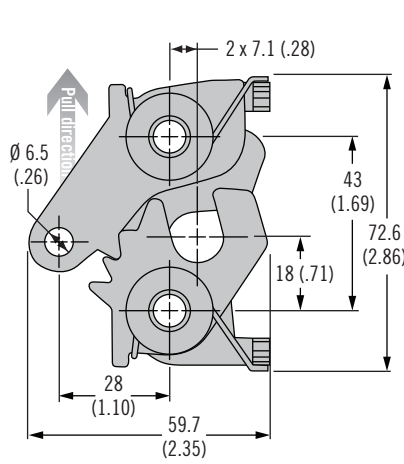
Cables and retainer clips see pages 322-323

### Notes

Electromechanical rotary latch available see page 20

For panel preparation visit [www.southco.com/R4](http://www.southco.com/R4)

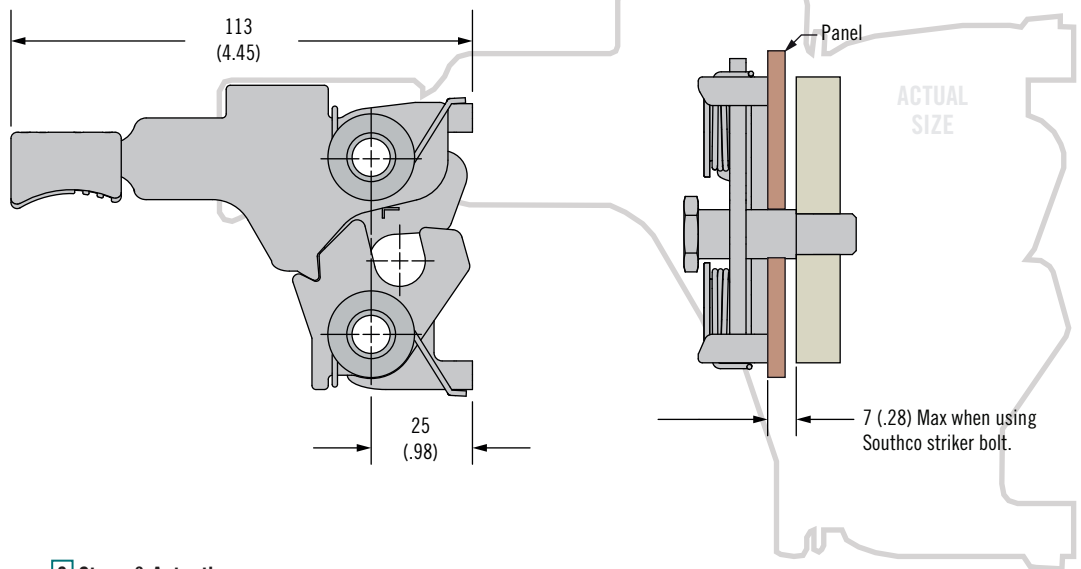
### Remote Actuation (left hand, two stage version shown)



### Striker Bolt (sold separately)

Striker Bolt Part Numbers	
Part Number	Material
R4-91-231-10	Steel
R4-91-231-20	Stainless Steel

### Hand Actuation (left hand, single stage version shown)



### Part Number

See table

Order latch and striker separately

#### S Stage & Actuation

- 1 Single stage, right hand
- 2 Single stage, left hand
- 3 Two stage, right hand
- 4 Two stage, left hand

#### I Mounting Style

- 0 Ø 8.3 (.327) thru
- 1 5/16-18 thread
- 2 M8 x 1.25 thread

R4 - 20 - S I - L 01 - M

#### L Lever Type

- 4 Hand actuation (steel only)
- 5 Bottom

#### M Material

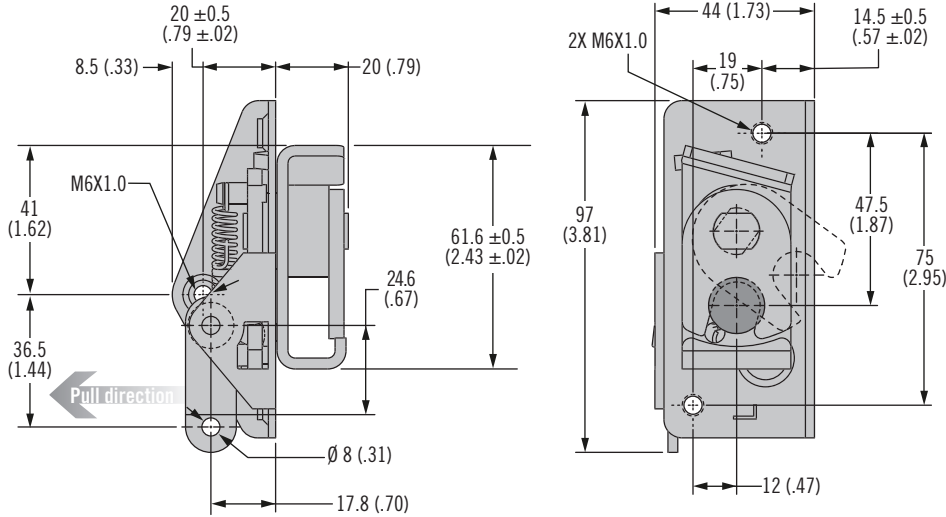
- 10 Steel
- 20 Stainless steel

# R4 Rotary Latch

Medium · Concealed · Debris Resistant · Two stage



## Two Stage (Left hand actuation shown)



- Compatible with a wide array of actuators
- Debris resistant concealed mounting
- Two stage latching



### Material and Finish

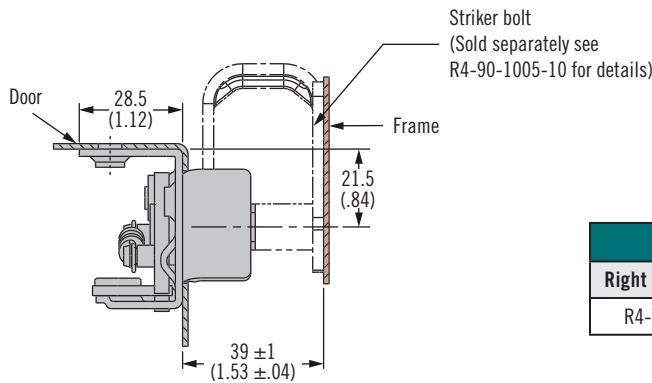
Steel, zinc plated

### Accessories

Retainer clip AC-9BX-20-34  
see page 323

### Notes

Electromechanical rotary latch available see page 20

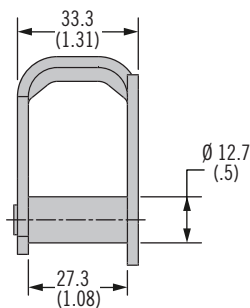
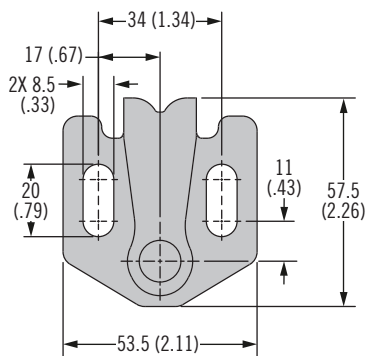


Part Number	
Right Hand Actuation	Left Hand Actuation
R4-75-32-201-10	R4-72-42-201-10

### Part Number

See table

Order latch and striker separately



Protected Striker	
Part Number	Material
R4-90-1005-10	Steel





# R4 Rotary Latch

Heavy-Duty · Concealed · Single and two stage

- Compatible with wide array of actuators
- FMVSS 206 capable options
- EN 45545-3 E60 compliant (Standard version only)
- Integrated bumper version for anti-vibration feature

### Material and Finish

Steel, zinc plated  
 Steel, zinc nickel plated (black and clear)  
 Stainless steel, passivated

### Accessories

Cables and retainer clips see pages 322-323

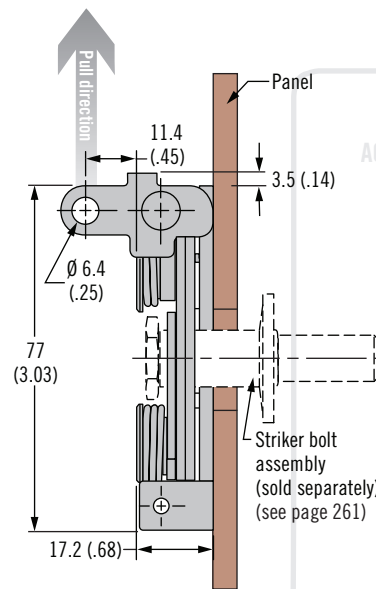
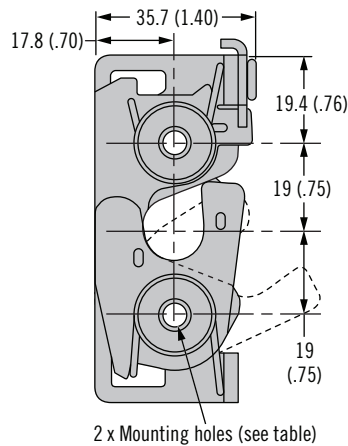
Striker options see page 301

### Notes

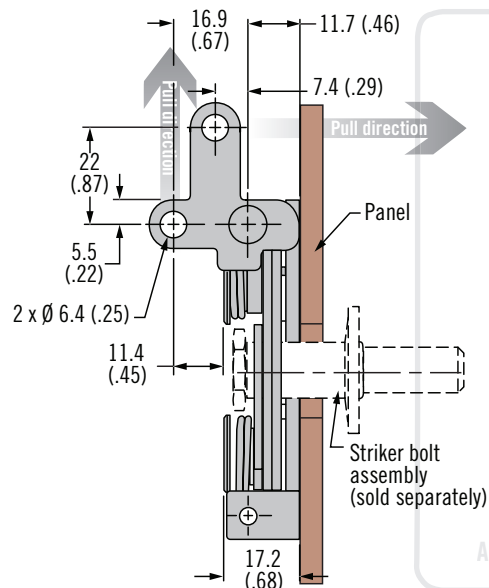
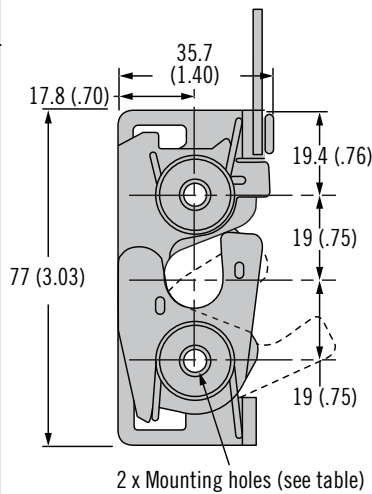
R4-38-101-10 support plate sold separately for FMVSS 206 capability  
 Mounts opposite of latch housing.



### Perpendicular (left hand actuation shown)



### 2-Point Actuator (left hand actuation shown)



### Part Number Selection

**S** Stage & Actuation

- 1 Single stage, right hand
- 2 Single stage, left hand
- 3 Two stage, right hand
- 4 Two stage, left hand

**I** Mounting Style

- 0 Ø6.7 (.283) thru
- 1 1/4-20 thread
- 2 M6 x 1 thread

**1** Base Style

- 1 Standard
- 5 Integrated bumper

**L** Lever Type

- 1 Perpendicular
- 3 Two point
- 7 Dual Lever, Bottom & Perpendicular

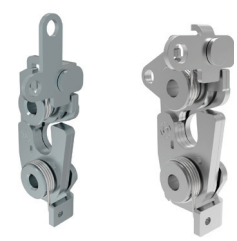
**M** Material

- 10 Steel, zinc plated
- 15 Steel, black zinc nickel
- 77 Steel, clear zinc nickel
- 20 Stainless steel

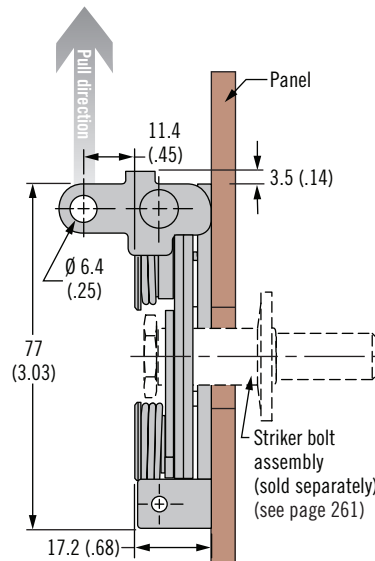
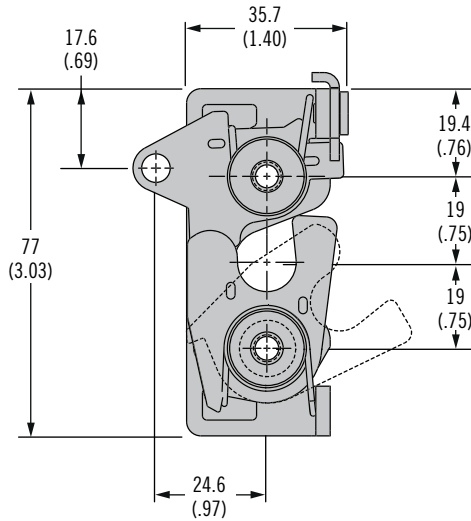
**R4 - 30 - S I - L O B - M**

# R4 Rotary Latch

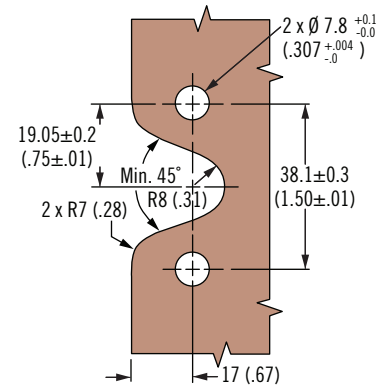
Heavy-Duty · Concealed · Single and Two stage



## Dual Trigger (left hand actuation shown)



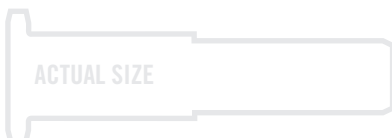
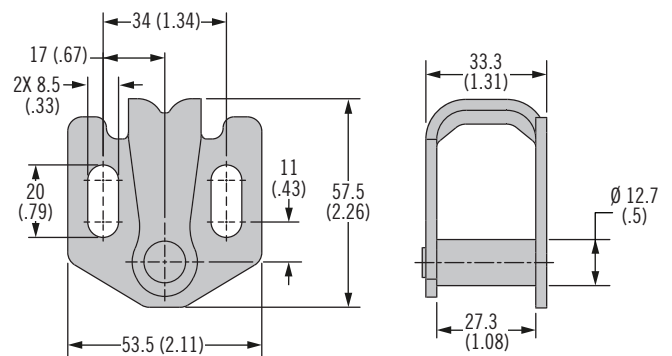
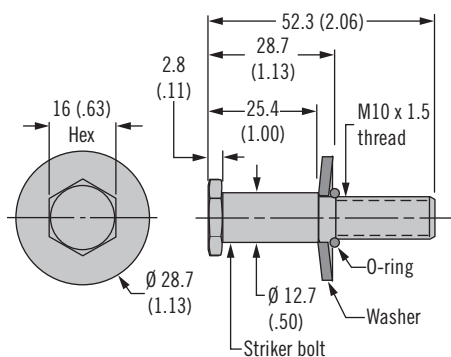
## Panel Preparation



## Strikers (sold separately)

Striker Bolt Part Number	
Part Number	Material
R4-90-321-10	Steel
R4-90-321-20	Stainless Steel

Protected Striker	
Part Number	Material
R4-90-1005-10	Steel
*Not FMVSS 206 Capable	





# R4 Rotary Latch

Heavy-Duty · Concealed · Single and two stage

- Compatible with wide array of actuators
- FMVSS 206 capable options
- EN 45545-3 E60 compliant (Standard version only)
- Integrated bumper version for anti-vibration feature

## Material and Finish

Steel, zinc plated  
Steel, zinc nickel plated (black and clear)  
Stainless steel, passivated

## Accessories

Cables and retainer clips see pages 322-323

Striker options see page 301

## Notes

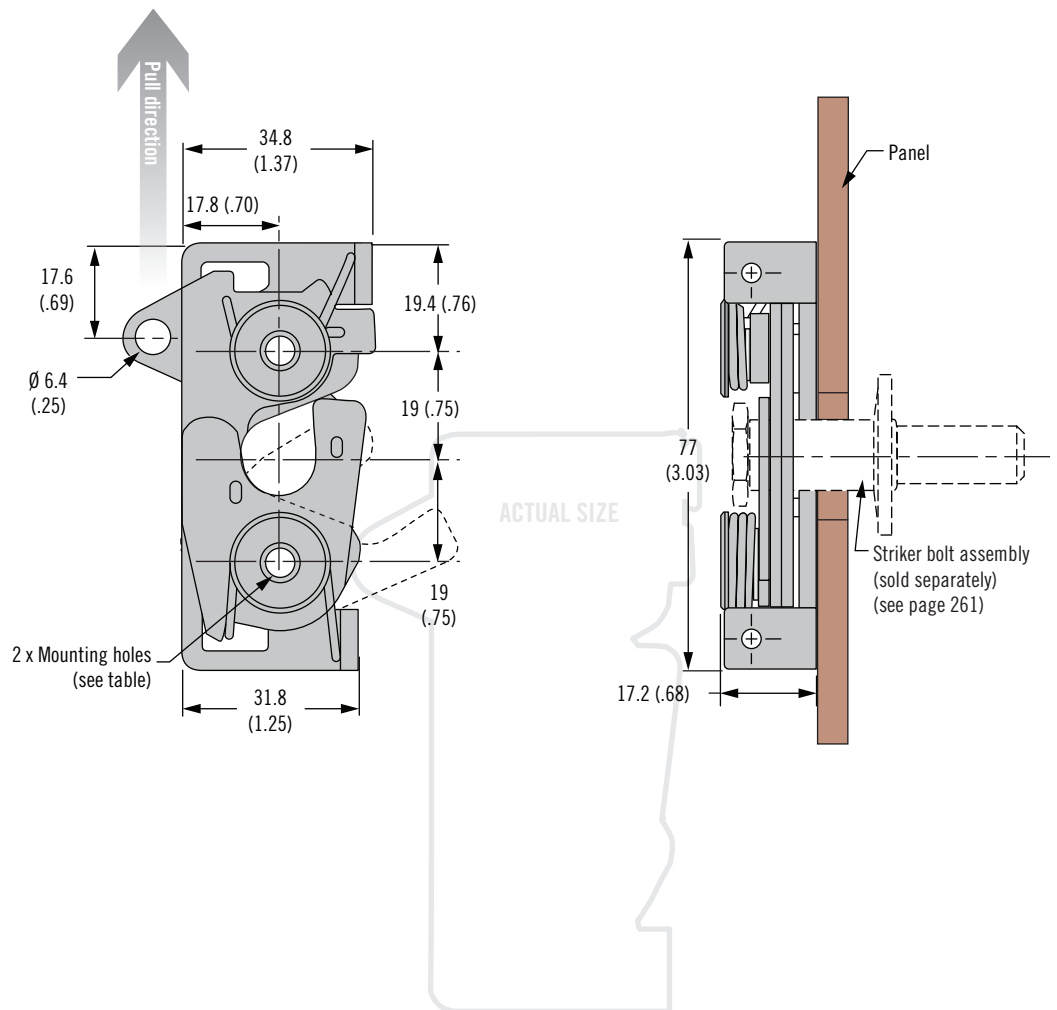
R4-38-101-10 support plate sold separately for FMVSS 206 capability  
Mounts opposite of latch housing.



## Part Number Selection

## Bottom

(left hand actuation shown)



### S Stage & Actuation

- 1 Single stage, right hand
- 2 Single stage, left hand
- 3 Two stage, right hand
- 4 Two stage, left hand

### I Mounting Style

- 0  $\varnothing 6.7$  (.283) thru
- 1 1/4-20 thread
- 2 M6 x 1 thread

R4 - 30 - S I - 50 B - M

### 1 Base Style

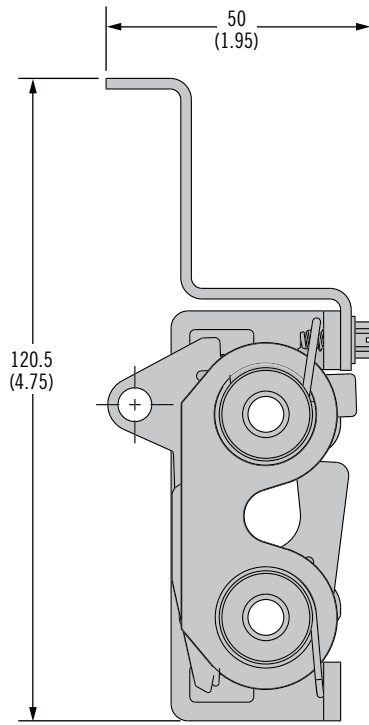
- 1 Standard
- 2 Standard with cable bracket for spring
- 3 Standard with cable bracket no spring
- 5 Integrated bumper
- 6 Integrated bumper with cable bracket for spring
- 7 Integrated bumper with cable bracket no spring

### M Material

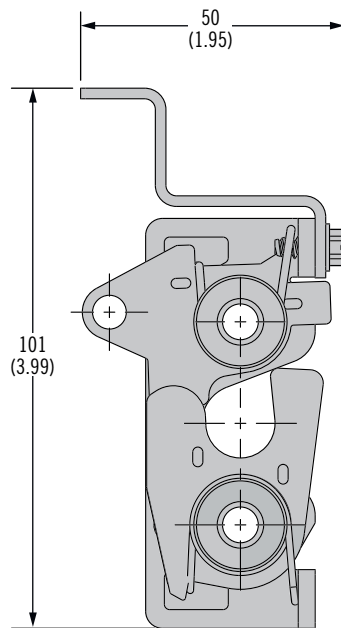
- 10 Steel, zinc plated
- 15 Steel, black zinc nickel plated
- 77 Steel, clear zinc nickel
- 20 Stainless steel

### Bottom with cable bracket

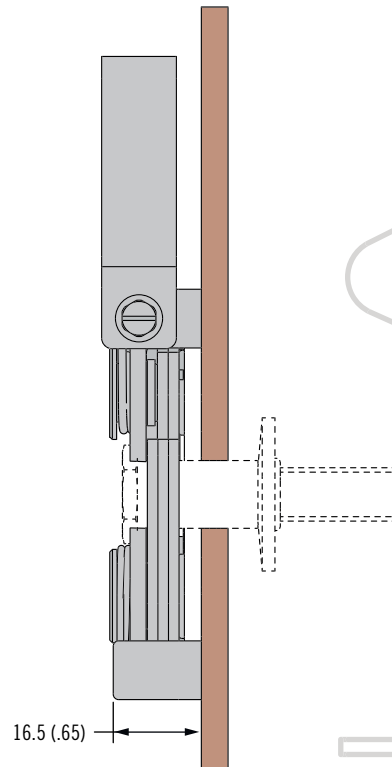
(left hand actuation shown)



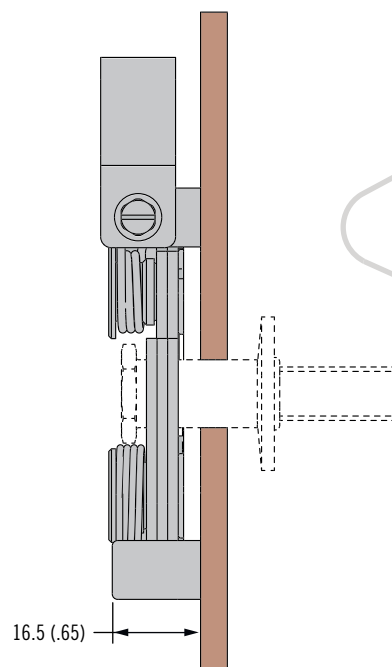
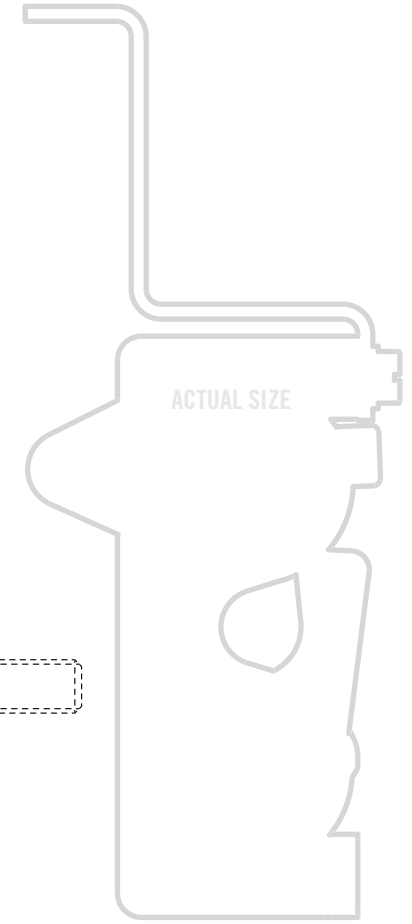
(with bumper shown)



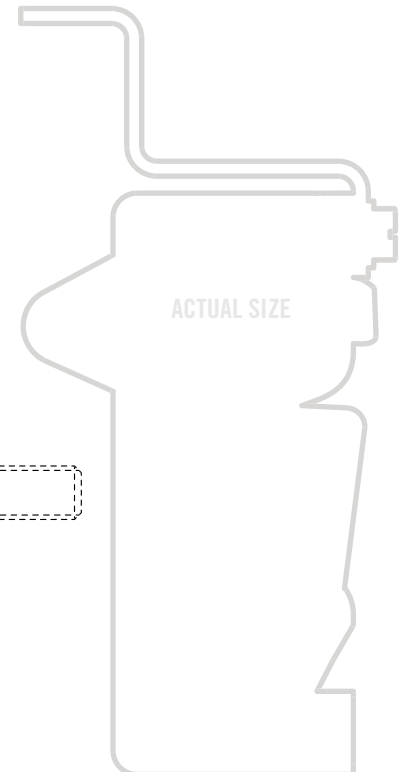
(without bumper shown)



16.5 (.65)



16.5 (.65)





# R4 Rotary Latch

## Heavy-duty · Two stage

- Single or multi-point latch capability
- Compatible with a wide array of actuators
- FMVSS 206 capable
- EN 45545-3 E60 compliant

### Material and Finish

Steel, zinc plated

### Accessories

Cables and retainer clips see pages 322-323

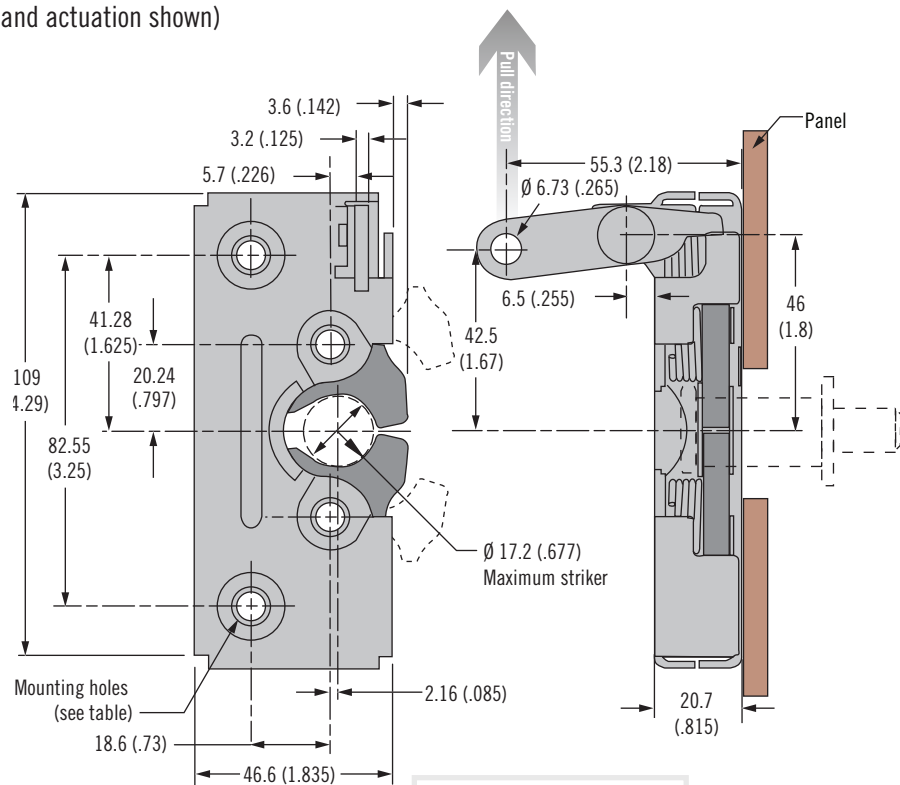
### Notes

Electromechanical rotary latches available see page 20

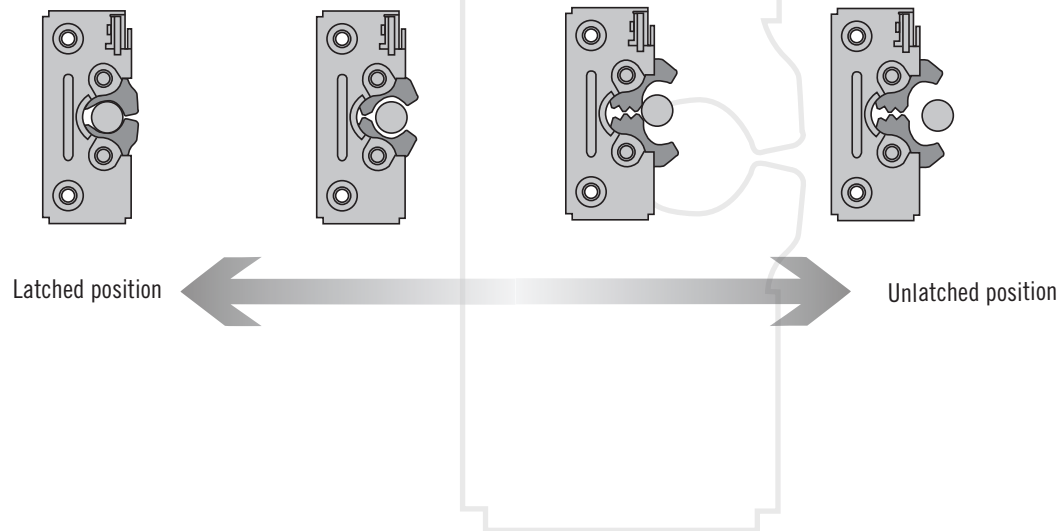
For panel preparation visit [www.southco.com/R4](http://www.southco.com/R4)

Striker Bolt Assembly (sold separately): R4-90-441-10

### Single Trigger, Perpendicular Actuation (left hand actuation shown)



### Operation





## Part Number Selection

R4 - 50 - **S** **I** - 101 - 10

### **S** Stage & Actuation

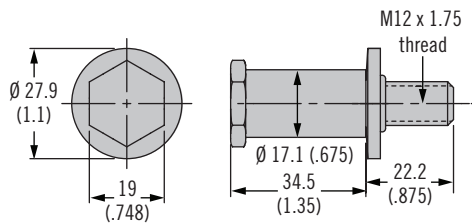
- 1 Single stage, right hand
- 2 Single stage, left hand
- 3 Two stage, right hand
- 4 Two stage, left hand

### **I** Mounting Style

- 0 7.2mm thru hole
- 1 1/4-20 thread
- 2 M6 thread

### Striker Bolt Assembly (sold separately)

R4-90-441-10 Steel, Zinc Plated





# R4 Rotary Latch

Heavy-Duty – Concealed – Electronic Operation and Door Sensing

- High strength door retention (FMVSS 206)
- Sensor verifies door closure
- Exceptional cycle life
- Quick release
- Sealed actuator
- Releases reliably under high load

### Material and Finish

Latch: steel, zinc plate or zinc nickel plate  
 Actuator: PC/ABS, acetal, silicone, buna seals

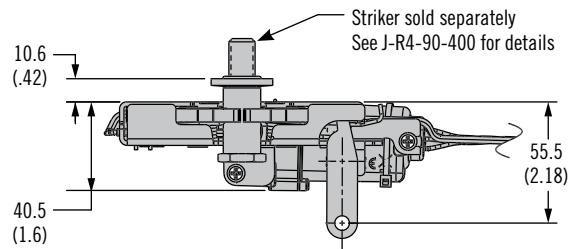
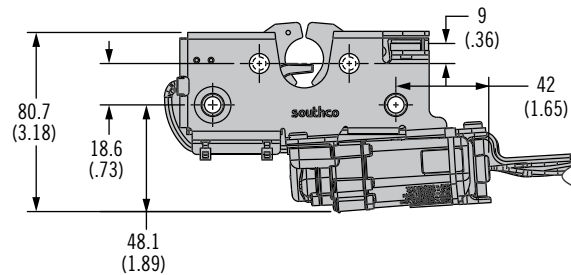
### Electronic specifications:

Operating voltage 12 VDC nominal  
 Operating current < 600mA  
 Temperature -40 to 80°C  
 Sealed (IP65)

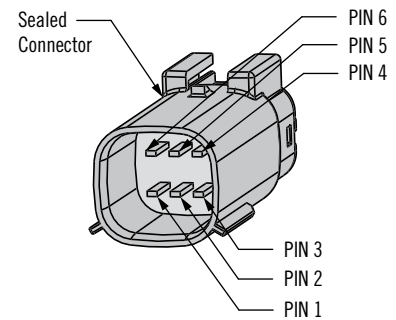
### Accessories

Striker Bolt Assembly (sold separately) R4-90-441-10  
 Cables and retainer clips see pages 322-323

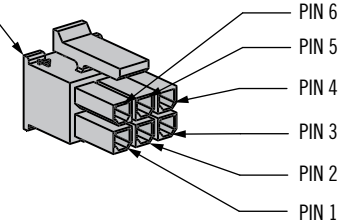
### Latch with door sensor, 12V sealed electronic actuator (right hand actuation shown)



Connector options (See below)



Non-Sealed Connector



Connector Pinout		
Pin	Wire Color	Function
1	Brown	Ground
2	Red	Power release
3	Orange	Power relock
4	Black	Switch common
5	Blue	Door secure
6	Grey	Door open



Enable wireless operation with Southco's **BLUETOOTH®** Controller

### Part Number Selection

**R4 - 50 - S I - 1 E 1 - 10**

- I** Stage & Actuation
- 3 Two stage right hand
  - 4 Two stage left hand

- I** Mounting Style
- 0 7.2 mm thru hole
  - 1 1/4-20 threaded
  - 2 M6 threaded

- E** Electronics
- EA With switch and actuator, non-sealed connector
  - EB With switch and actuator, stripped & tinned wires
  - EC With switch and actuator, sealed connector

# R4 Rotary Latch

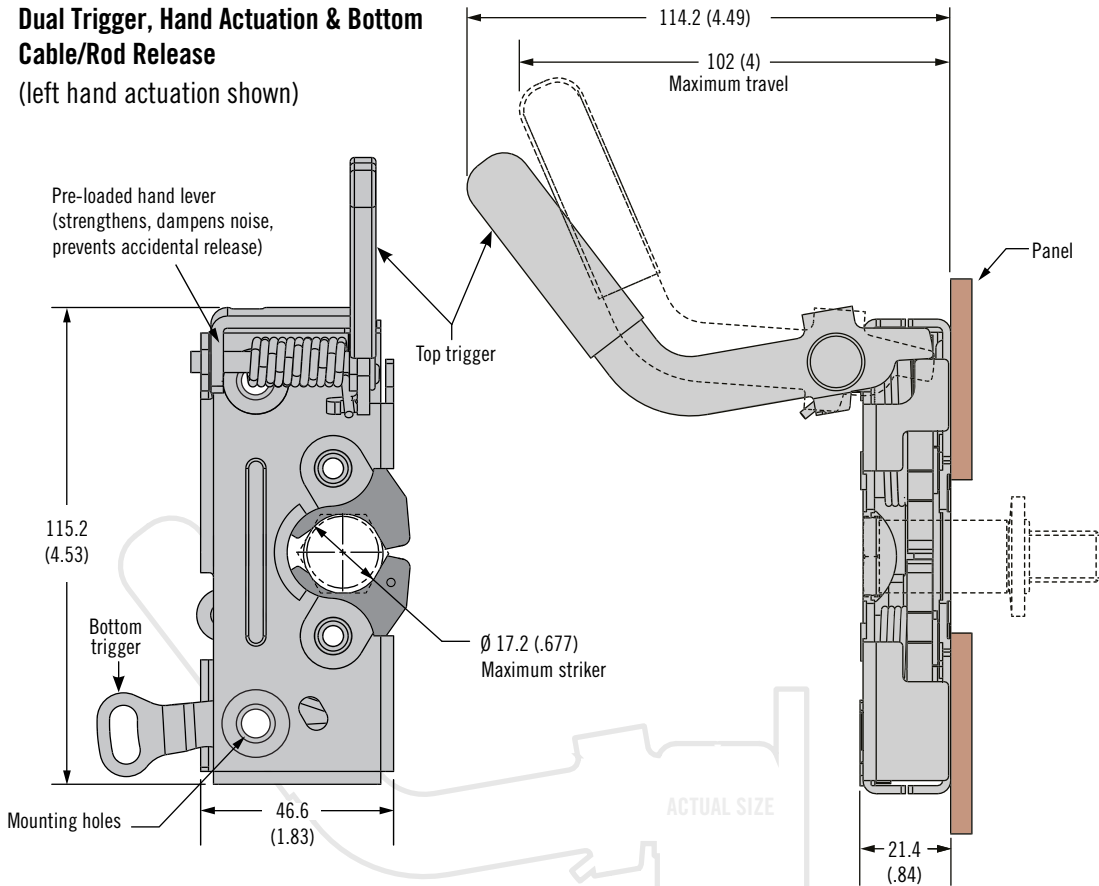
Heavy-duty · Two stage · Dual trigger



305B

## Dual Trigger, Hand Actuation & Bottom Cable/Rod Release

(left hand actuation shown)



- Independent interior and exterior actuation
- Compatible with a wide array of actuators
- FMVSS 206 capable
- EN 45545-3 E60 compliant

### Material and Finish

Steel, zinc plated

### Accessories

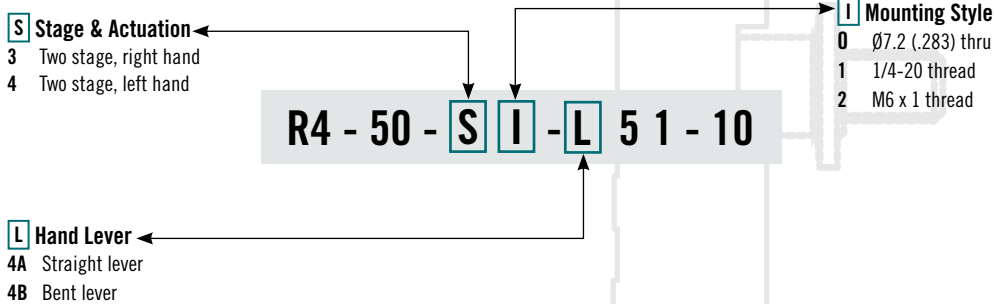
Cables and retainer clips  
see pages 322-323

For panel preparation visit  
[www.southco.com/R4](http://www.southco.com/R4)

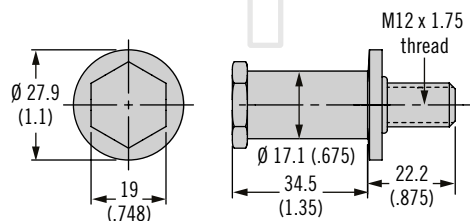
Striker Bolt Assembly  
(sold separately): R4-90-441-10

Additional top triggers available  
see page 305C

### Part Number Selection



Striker Bolt Assembly (sold separately)	
Part Number	Material
R4-90-441-10	Steel, Zinc Plated





# R4 Rotary Latch

Heavy-duty · Two stage · Dual trigger

- Independent interior and exterior actuation
- Compatible with a wide array of actuators
- FMVSS 206 capable
- EN 45545-3 E60 compliant

### Material and Finish

Steel, zinc plated

### Accessories

Cables and retainer clips see pages 322-323

For panel preparation visit [www.southco.com/R4](http://www.southco.com/R4)

Striker Bolt Assembly (sold separately): R4-90-441-10

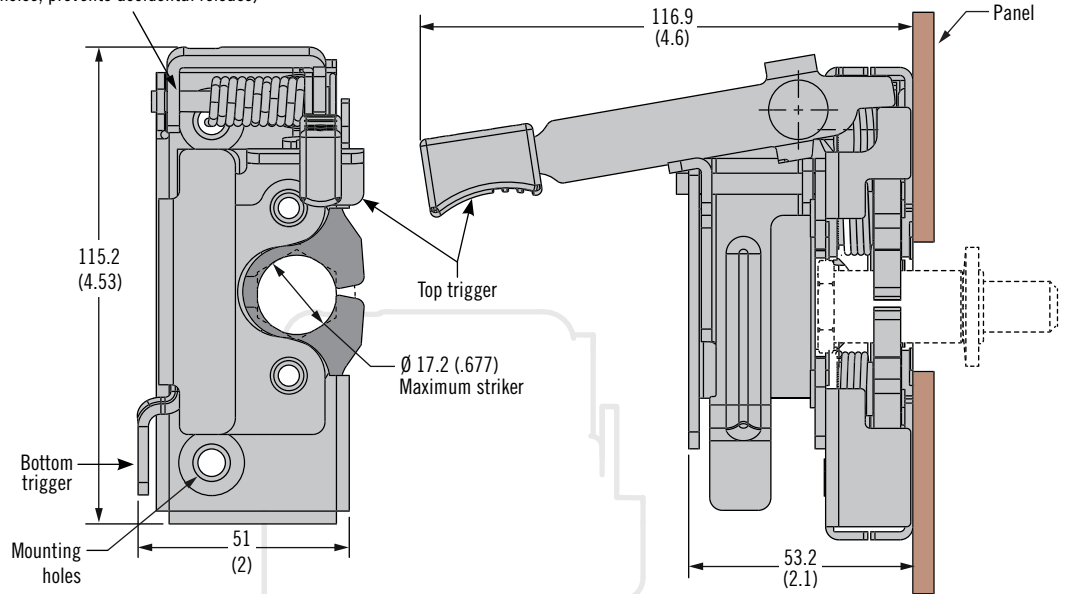
Additional top triggers available see page 305C

### Part Number Selection

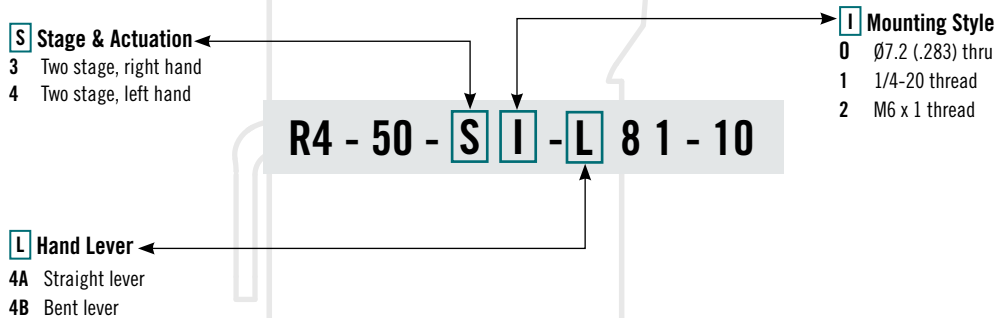
### Dual Trigger, Hand Actuation & Bottom Push Release

(left hand actuation shown)

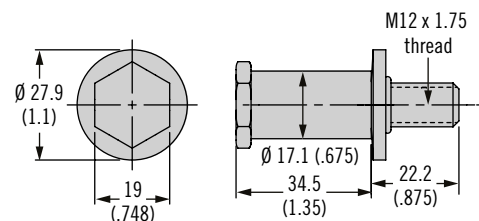
Pre-loaded hand lever (strengthens, dampens noise, prevents accidental release)



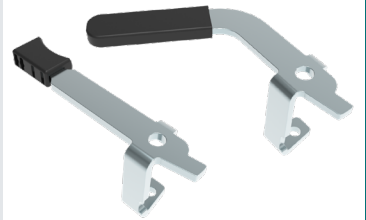
ACTUAL SIZE



Striker Bolt Assembly (sold separately)	
Part Number	Material
R4-90-441-10	Steel, Zinc Plated



# R4 Rotary Latch Top Trigger Options

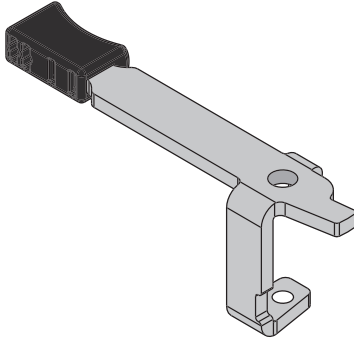


305D

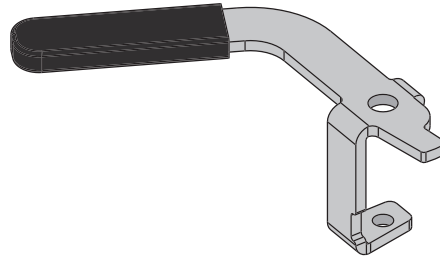
Top levers for hand-actuated R4-50 dual trigger latches

## Hand Lever

Straight Lever (4A)



Bent Lever (4B)



## Notes

For use with R4-50 Heavy Duty Two Stage Dual Trigger Latches only



# R4-81 Rotary Paddle Latch

Pull-to-open

- Rear mount installation
- Direct actuation, no cable or rod required
- Single or two stage latching
- Integrated bumper option
- Environmentally sealed

### Material and Finish

Housing: Glass-filled nylon, black

Paddle: Zinc alloy, black powder coated or chrome plated

### Installation Notes

Maximum tightening torque on supplied mounting nuts 3 N·m (27 in·lbf)

### Accessories

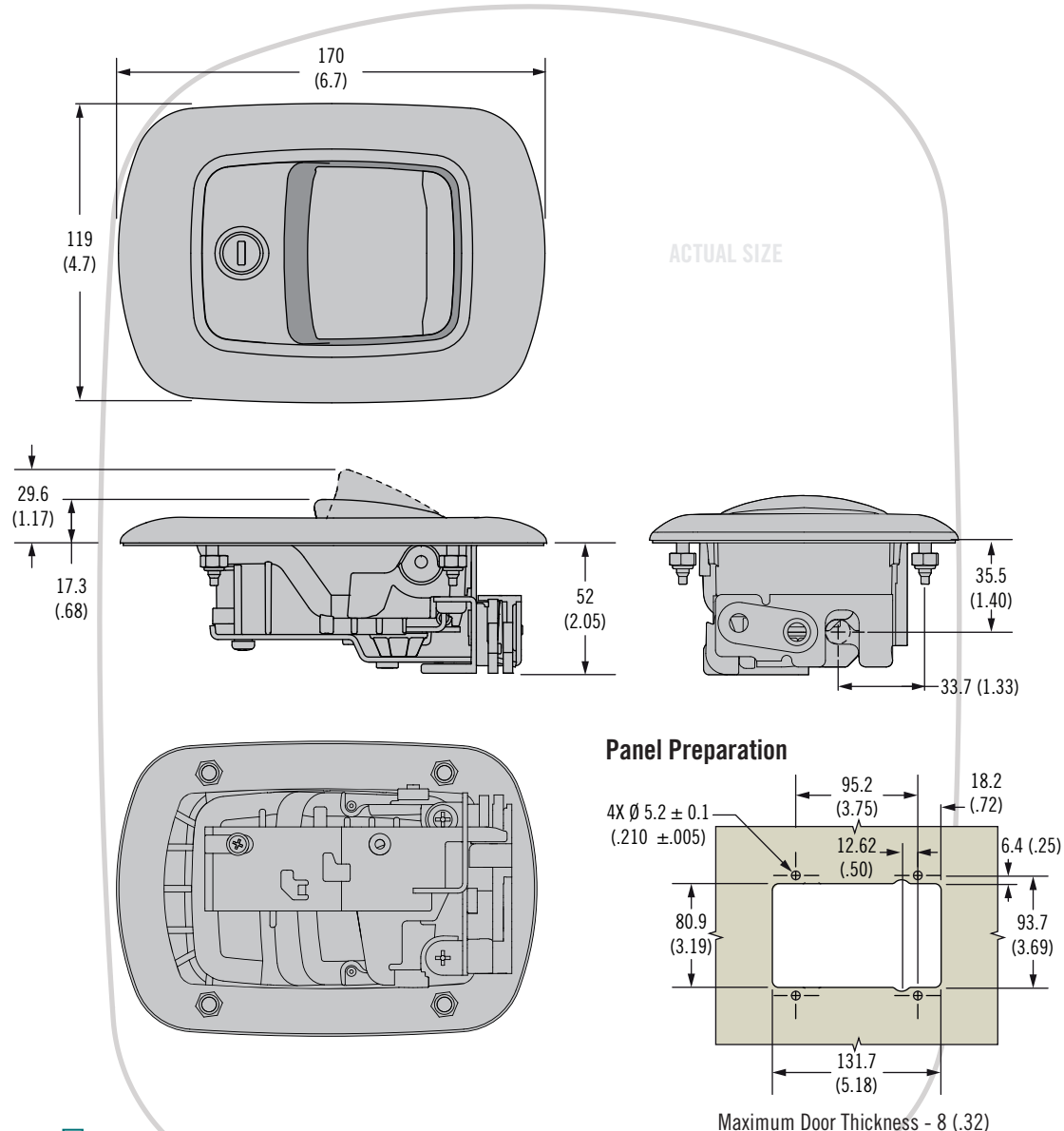
Striker bolt see page 297

### Notes

For lock core selection and a complete overview of the *SOUTHCO*® Key-Choice System see page 190

### Part Number

See table



- [S] Stage & Bumper**
- 2 Single Stage
  - 4 Two Stage
  - 6 Single Stage with Integrated Bumper
  - 8 Two Stage with Integrated Bumper

- [PP] Paddle Finish**
- 30 Chrome, polished
  - 50 Black powder coated

**R4 - 81 - [S] [L] 1 - [PP] - [KC]**

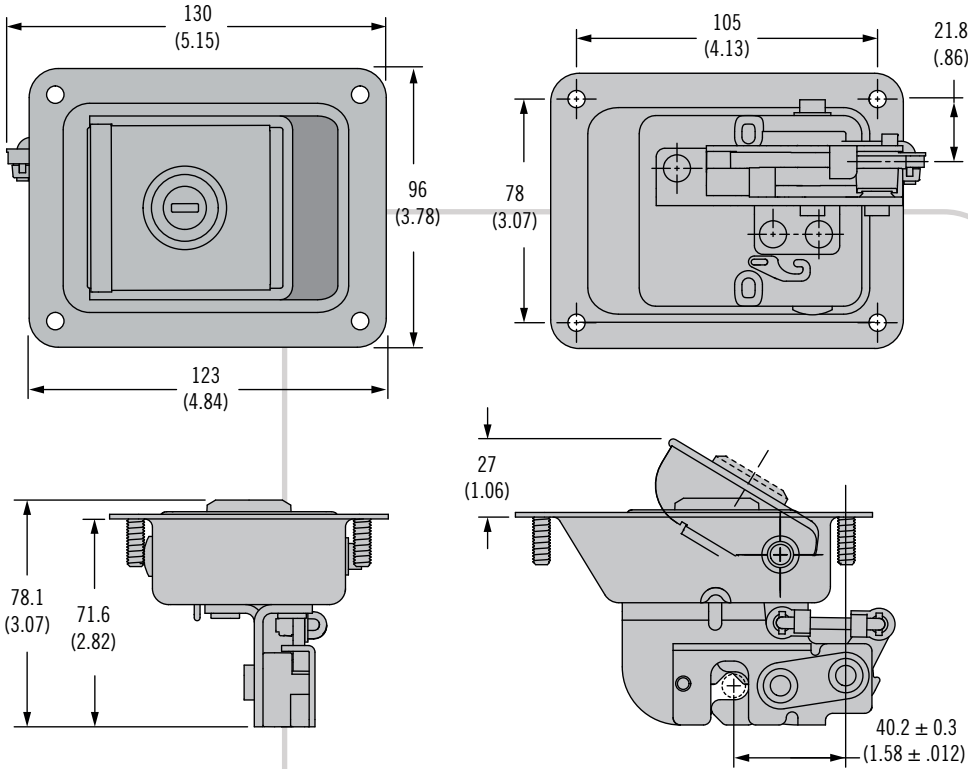
- [L] Locking Options**
- 1 Reversible Key (No Keys - R001)
  - 2 Reversible Key (2 Keys included - R001)
  - 3 Reversible Key (2 keys included - Keyed differently)
  - 4 Standard Key (No keys - CH751)
  - 5 Standard Key (2 Keys included - CH751)
  - 6 Standard Key (2 keys included - Keyed differently)
  - 9 No Lock Plug installed (See notes for more information)

- [KC] Key Codes**
- (Omit for Locking Options 1, 2, 4, 5 and 9)
- \***KD10** Keyed Differently (Only used if [L]=3 or 6)
  - \***MK10** Master Keyed Differently (Only used if [L]=6)

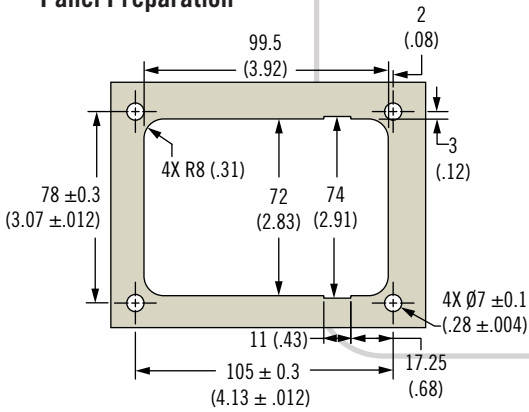
\*Supplied in multiples of 10 with 10 different key codes.

# R4-82 Rotary Paddle Latch

## Pull-to-open



### Panel Preparation



ACTUAL SIZE

- Direct actuation, no cable or rod required
- Single or two stage latching
- Integrated bumper
- Thru hole or stud mounting options

### Material and Finish

Cup and handle: Steel, zinc plated or black powder coat

Lock slide, latch frame, pawl, trigger: Steel, zinc plated

### Installation Notes

Thru hole: M5 or #8 screws recommended

Studs: Use M6 mounting nuts (max tightening torque 7 N·m (62 in·lbf))

Studs: Max panel thickness 10 (.39)

### Accessories

Striker bolt see page 297

### Notes

For lock core selection and a complete overview of the *SOUTHCO*® Key-Choice System see page 190

### Part Number Selection

See table

**S** Stage

- 6 Single Stage with Integrated Bumper
- 8 Two Stage with Integrated Bumper

**L** Locking Options

- 1 Reversible Key (No Keys - R001)
- 2 Reversible Key (2 Keys included - R001)
- 3 Reversible Key (Keyed differently - 2 keys included)
- 4 Standard Key (No keys - CH751)
- 5 Standard Key (2 Keys included - CH751)
- 6 Standard Key (Keyed differently - 2 keys included)
- 7 Reversible Key (2 keys included - 14603)
- 9 No Lock Plug installed (See notes for more information)

**H** Housing

- 2 Rivet Thru Hole 5.2 (.20)
- 4 Press-in Studs

**PP** Finish

- 10 Zinc plated
- 50 Black powder coated

**KC** Key Codes

(Omit for Locking Options 1, 2, 4, 5 and 9)

- \*KD10 Keyed Differently (Only used if **L** =3 or 6)
- \*MK10 Master Keyed Differently (Only used if **L** =6)

\*Supplied in multiples of 10 with 10 different key codes.

**R4 - 82 - S L H - PP - KC**