



Professional Connector Manufacturer



Waterproof

March 2019

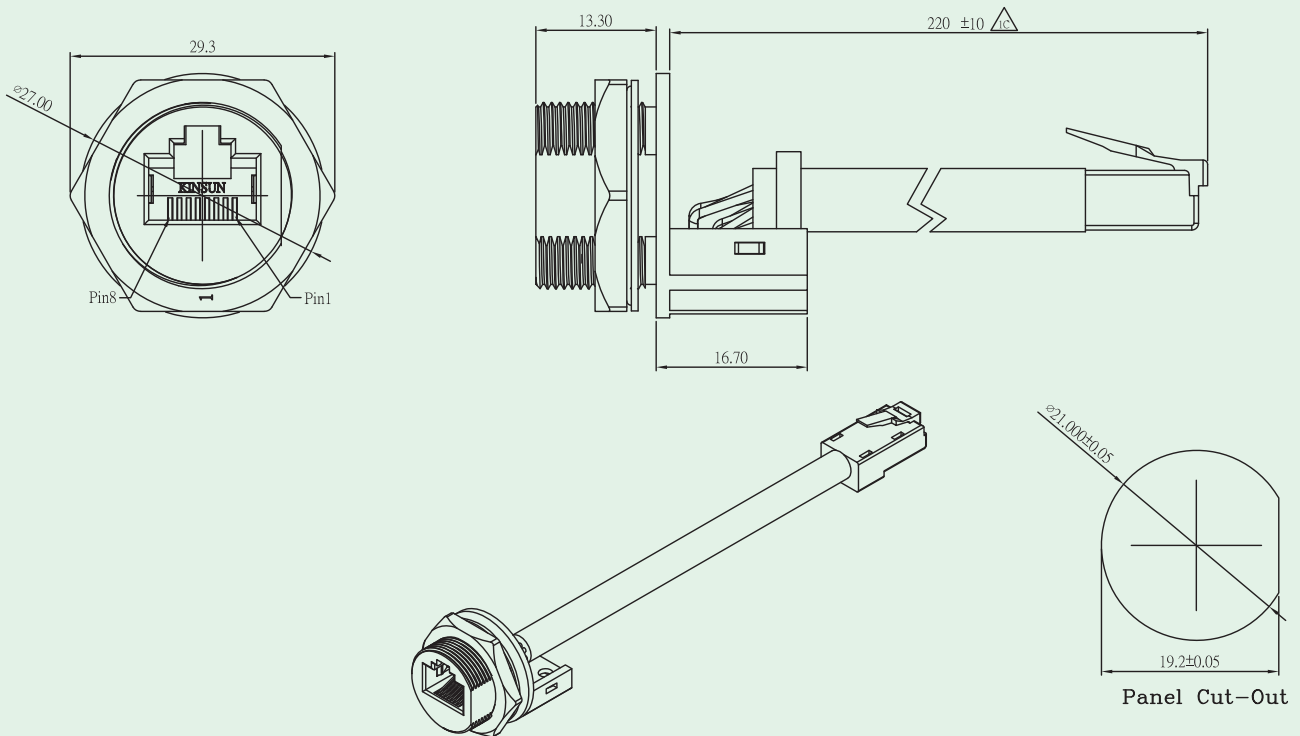
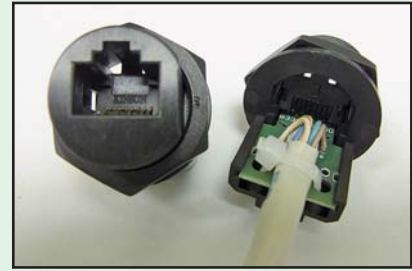
3000 本

**Waterproof RJ45 and USB Connector (IP68)****• Screw locking system:****3352 series, IP69K 1-20****3354 series 21-22****3356 series, metal 23-30****• Quick locking system:****3351 series 31-36****3353 series, metal 37-44****Waterproof M connector (IP68)****M12 Panel side: 45-60****M12 Cable side: 61-71****M12 Cap: 72****M8 Panel side: 73-79****M8 Cable side: 80-85****M8 Cap: 86****M9 Panel side: 87-88****M9 Cable side: 89-90****Cable Gland (IP68)****• 4301 Series 92****Vent Plug (IP68)****• 4380 Series 93****• 4381 Series 94****Pushpull SFP Connector (IP68)****• 3359 Series, Metal 95-96**



Screw Locking Waterproof RJ45 Without Sealed Jack With Cable and Plug

KINSUN



Materials

- **Plastic Housing** : Engineering Thermoplastic. Flammability Rating UL 94V-0.
- **Contacts** : Phosphor Bronze.
- **Plating** : Gold Plating Over Nickel In Contact.
- **Nut** : Engineering Thermoplastic Flammability Rating UL 94V-0
- **Gasket** : Silicone
- **Panel Thick** : 1.5~4.5mm
- **RJ45 Plug Housing** : PC
- **RJ45 Plug Contacts** : Phosphor Bronze, finish : Gold over Nickel
- **Cable** : Cat 5e



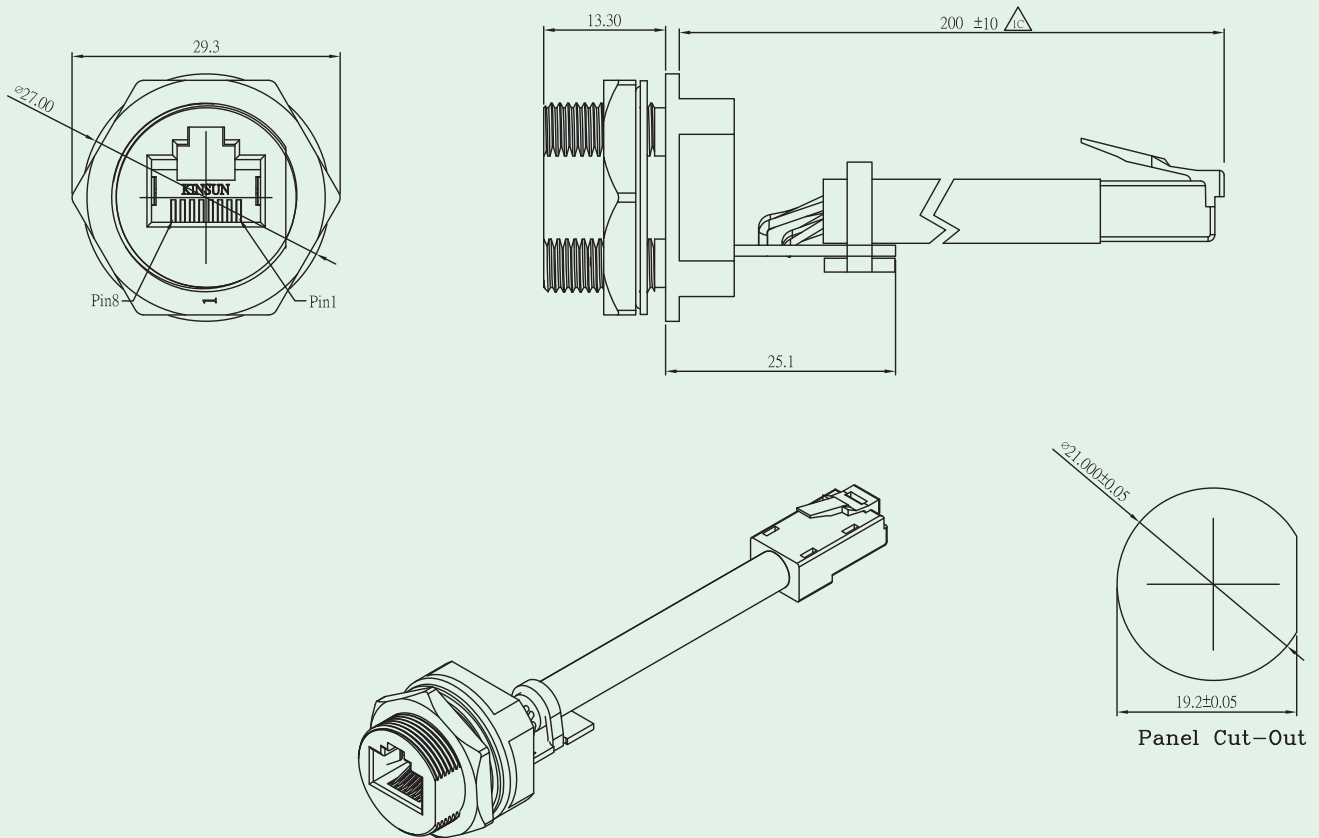
Ordering Information

3352D01010



Screw Locking Waterproof RJ45 Sealed Jack With Cable and Plug

KINSUN



Materials

- **Plastic Housing** : Engineering Thermoplastic. Flammability Rating UL 94V-0.
- **Contacts** : Phosphor Bronze.
- **Plating** : Gold Plating Over Nickel In Contact.
- **Nut** : Engineering Thermoplastic Flammability Rating UL 94V-0
- **Gasket** : Silicone
- **Panel Thick** : 1.5~4.5mm
- **RJ45 Plug Housing** : PC
- **RJ45 Plug Contacts** : Phosphor Bronze, finish : Gold over Nickel
- **Cable** : Cat 5e



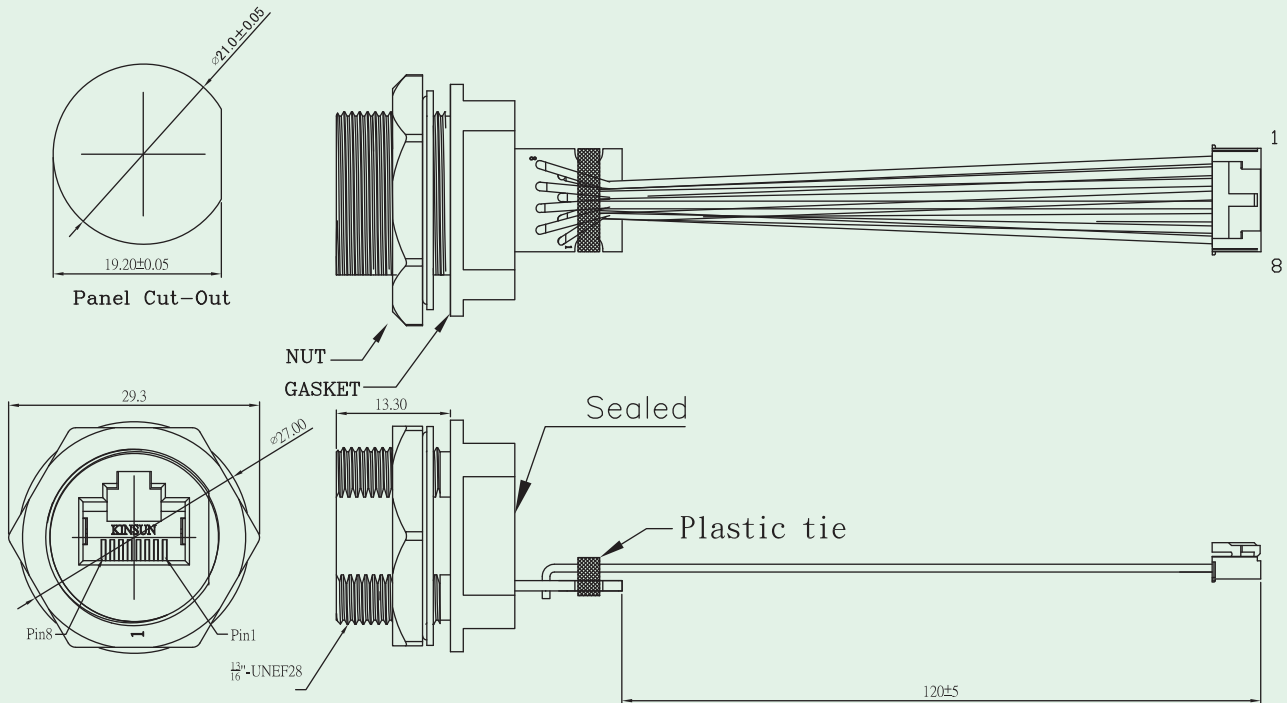
Ordering Information

3352D01410



Screw Locking Waterproof RJ45 Sealed Jack With Wire Harness

KINSUN



8	Brown	棕	8	Twist
7	Brown/White	棕/白	7	
6	Green	綠	6	Twist
5	Blue/White	藍/白	5	
4	Blue	藍	4	Twist
3	Green/White	綠/白	3	
2	Orange	橙	2	Twist
1	Orange/White	橙/白	1	
Conn	Wire Color		Housing	
	Pin Out			

Materials

- **Plastic Housing** : Engineering Thermoplastic.
Flammability Rating UL 94V-0.
- **Contacts** : Phosphor Bronze.
- **Plating** : Gold Plating Over Nickel In Contact.
- **Nut** : Engineering Thermoplastic Flammability Rating UL 94V-0
- **Gasket** : Silicone
- **Panel Thick** : 1.5~4.5mm



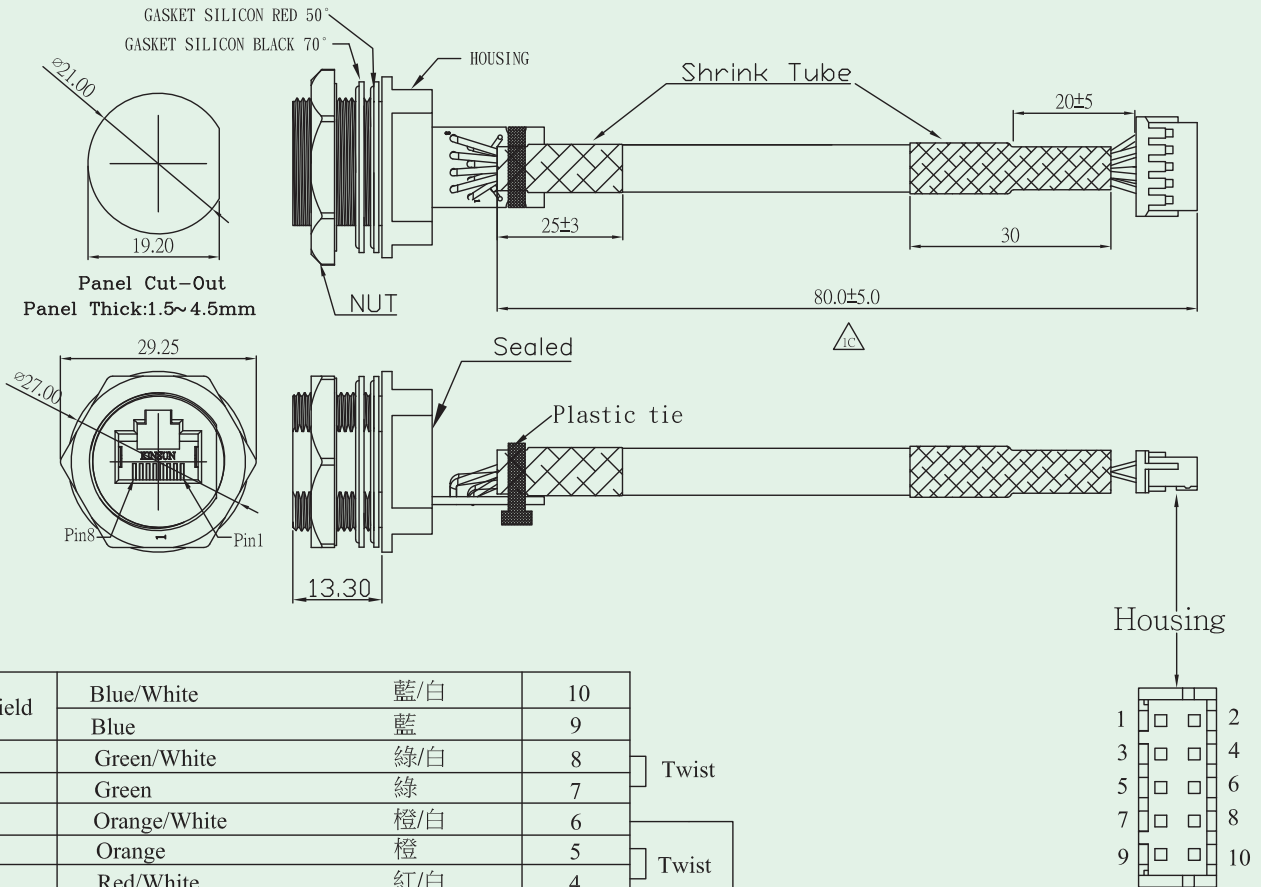
Ordering Information

3352E01020



Screw Locking Waterproof RJ45 Sealed Jack With Cable and Housing

KINSUN



Shield	Blue/White	藍/白	10	Twist
	Blue	藍	9	
	Green/White	綠/白	8	
	Green	綠	7	
	Orange/White	橙/白	6	
	Orange	橙	5	
	Red/White	紅/白	4	
	Red	紅	3	
	Brown/White	棕/白	2	
	Brown	棕	1	
Conn	Wire Color		Housing	
	Pin Out			

Materials

- **Plastic Housing** : Engineering Thermoplastic.
Flammability Rating UL 94V-0.
- **Contacts** : Phosphor Bronze.
- **Plating** : Gold Plating Over Nickel In Contact.
- **Nut** : Engineering Thermoplastic Flammability Rating UL 94V-0
- **Gasket** : Silicone
- **Panel Thick** : 1.5~4.5mm
- **Cable** : Cat 5e



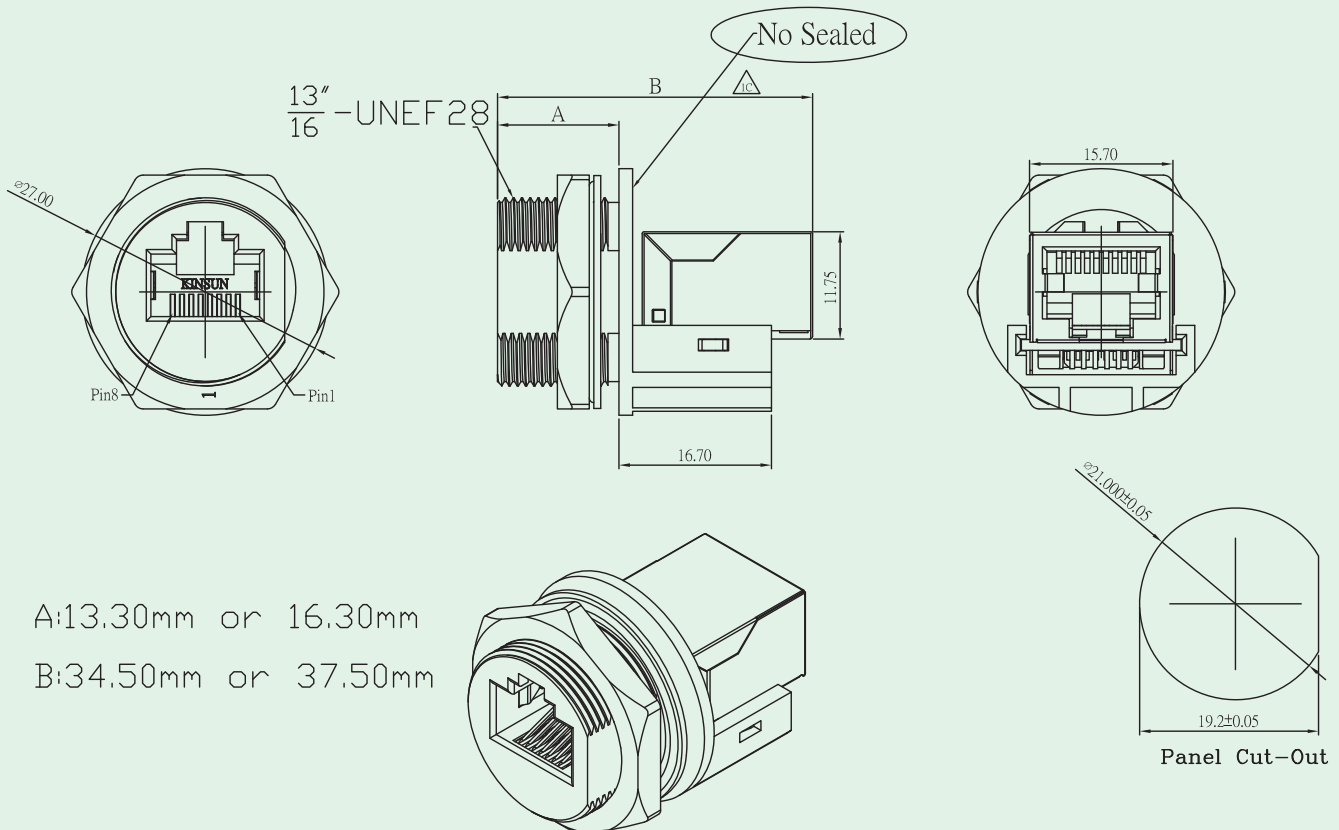
Ordering Information

3352E02010



Screw Locking Waterproof RJ45 Coupler

KINSUN



Materials

- **Plastic Housing** : Engineering Thermoplastic.
Flammability Rating UL 94V-0.
- **Contacts** : Phosphor Bronze.
- **Plating** : Gold Plating Over Nickel In Contact.
- **Nut** : Engineering Thermoplastic Flammability Rating UL 94V-0
- **Gasket** : Silicone
- **Panel Thick** : A=13.30mm Panel Thick=1.5~2.5mm ; A=16.30mm Panel Thick=1.5~6.0mm
- **Panel Thick** : 1.5~4.5m



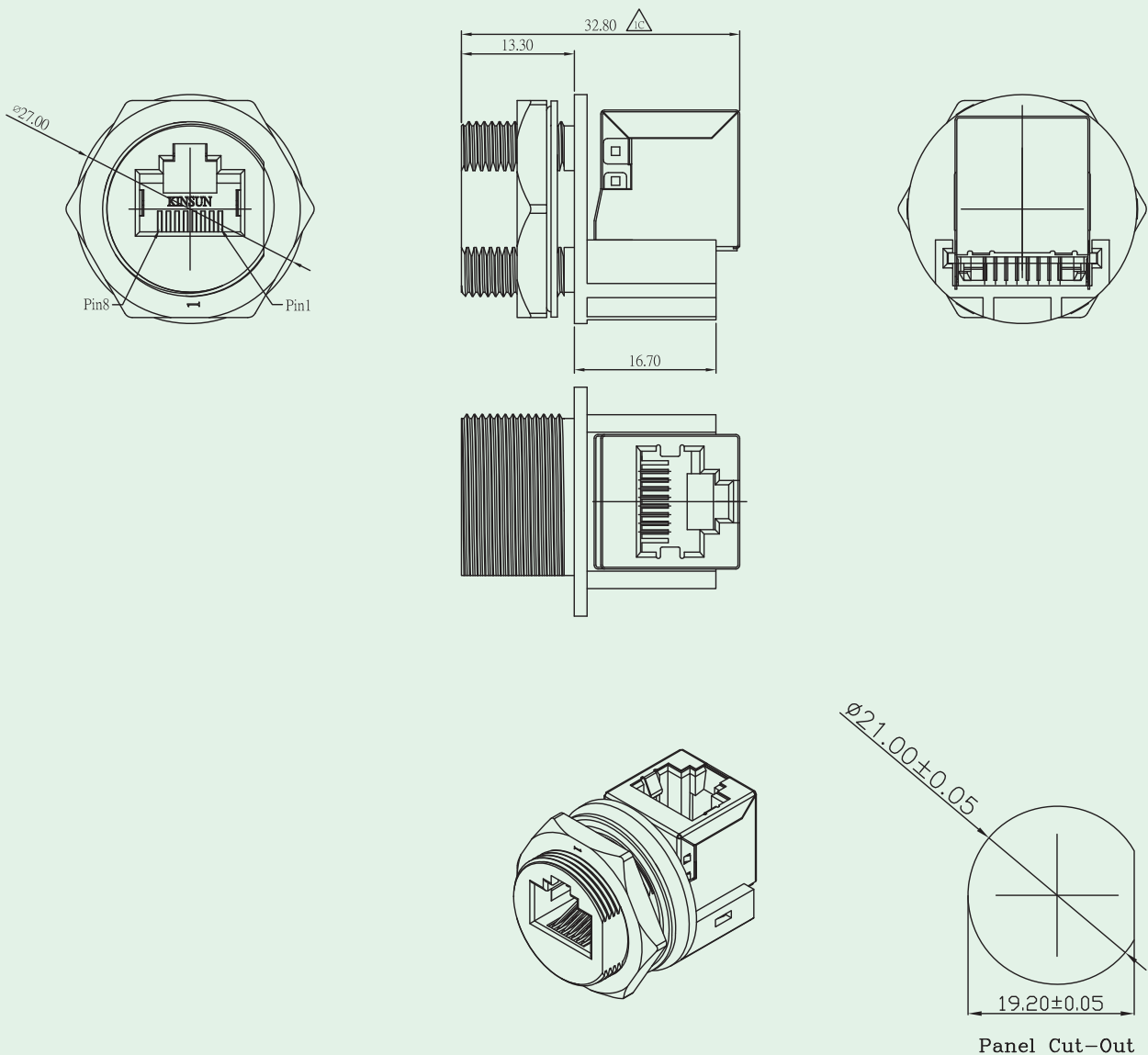
Ordering Information

3352F01010 A:13.30mm
 3352F05010 A:16.30mm



Screw Locking Waterproof RJ45 With 90° Coupler

KINSUN



Materials

- **Plastic Housing** : Engineering Thermoplastic.
Flammability Rating UL 94V-0.
- **Contacts** : Phosphor Bronze.
- **Plating** : Gold Plating Over Nickel In Contact.
- **Nut** : Engineering Thermoplastic Flammability Rating UL 94V-0
- **Gasket** : Silicone
- **Panel Thick** : 1.5~4.5m



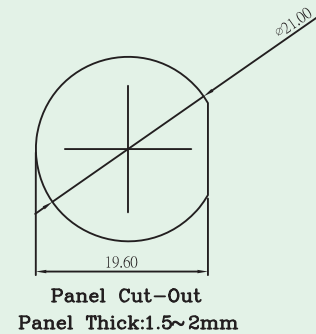
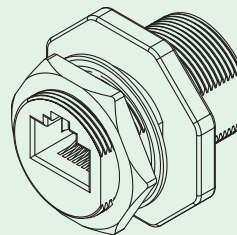
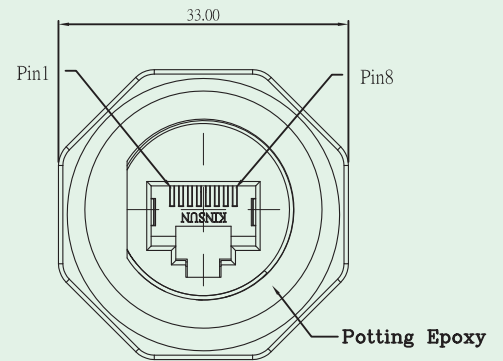
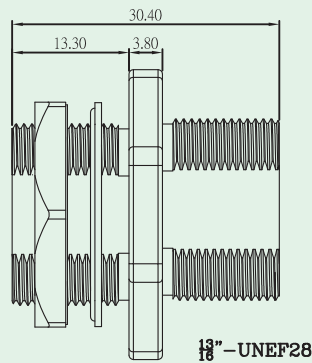
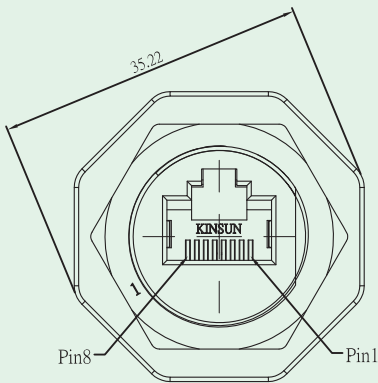
Ordering Information

3352F01220



Screw Locking Waterproof RJ45 Cat 5e , Cat 6a Coupler

KINSUN



Materials

- **Plastic Housing** : Engineering Thermoplastic.
Flammability Rating UL 94V-0.
- **Contacts** : Phosphor Bronze.
- **Plating** : Gold Plating Over Nickel In Contact.
- **Nut** : Engineering Thermoplastic Flammability Rating UL 94V-0
- **Gasket** : EPDM 70° COLOR : BLACK



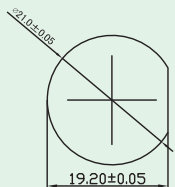
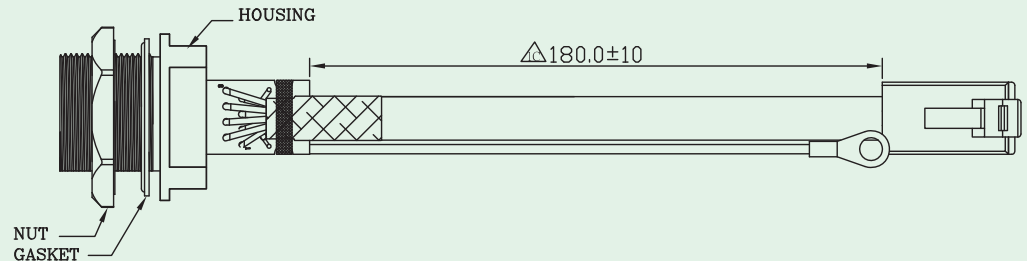
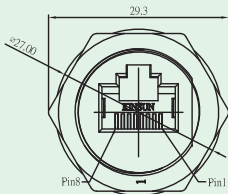
Ordering Information

3352G02639 Cat 5e
3352G02040 Cat 6a

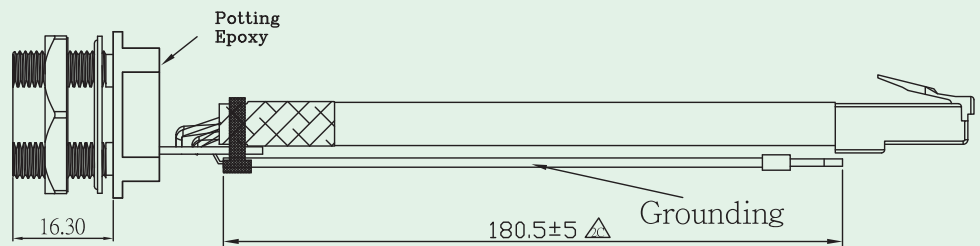


Screw Locking Waterproof RJ45 With Plug & Grounding Wire

KINSUN



Panel Cut-Out



Shield	Wire Harness		Terminal	
	Drain Wire	地線	Shield	
8	Brown	棕	8	Twist
7	Brown/White	棕/白	7	
6	Green	綠	6	Twist
5	Blue/White	藍/白	5	
4	Blue	藍	4	
3	Green/White	綠/白	3	Twist
2	Orange	橙	2	
1	Orange/White	橙/白	1	
Conn	Wire Color		plug	
	Pin Out			

Materials

- **Plastic Housing** : Engineering Thermoplastic.
Flammability Rating UL 94V-0.
- **Contacts** : Phosphor Bronze.
- **Plating** : Gold Plating Over Nickel In Contact.
- **Nut** : Engineering Thermoplastic Flammability Rating UL 94V-0
- **Gasket** : Silicone
- **Panel Thick** : 1.5~6.0mm
- **RJ45 Plug Housing** : PC
- **RJ45 Plug Contacts** : Phosphor Bronze, finish : Gold over Nickel
- **Cable** : Cat 5e



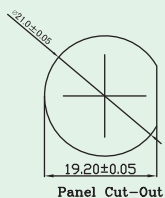
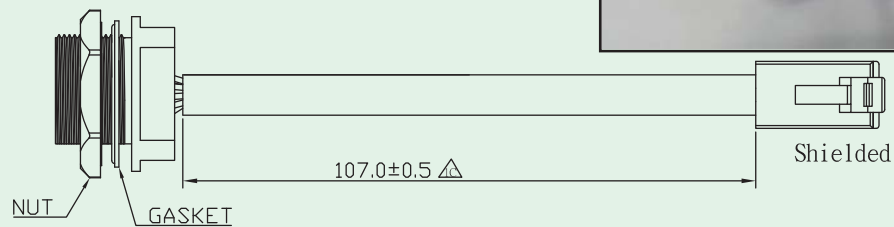
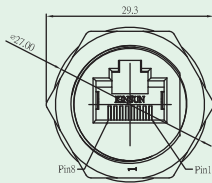
Ordering Information

3352K06023



Screw Locking Waterproof RJ45 With Hidden PCB & Plug

KINSUN



Shield	Wire Harness	Terminal	
	Drain Wire 地線	Shield	
8	Brown 棕	8	Twist
7	Brown/White 棕/白	7	
6	Green 綠	6	Twist
5	Blue/White 藍/白	5	
4	Blue 藍	4	
3	Green/White 綠/白	3	Twist
2	Orange 橙	2	
1	Orange/White 橙/白	1	
Conn	Wire Color	plug	
	Pin Out		

Materials

- **Plastic Housing** : Engineering Thermoplastic.
Flammability Rating UL 94V-0.
- **Contacts** : Phosphor Bronze.
- **Plating** : Gold Plating Over Nickel In Contact.
- **Nut** : Engineering Thermoplastic Flammability Rating UL 94V-0
- **Gasket** : Silicone.
- **Panel Thick** : 1.5~4.5mm
- **RJ45 Plug Housing** : Pc.
- **RJ45 Plug Contact** : Phosphor Bronze, finish : Gold over Nickel.
- **Cable** : Cat 5e.



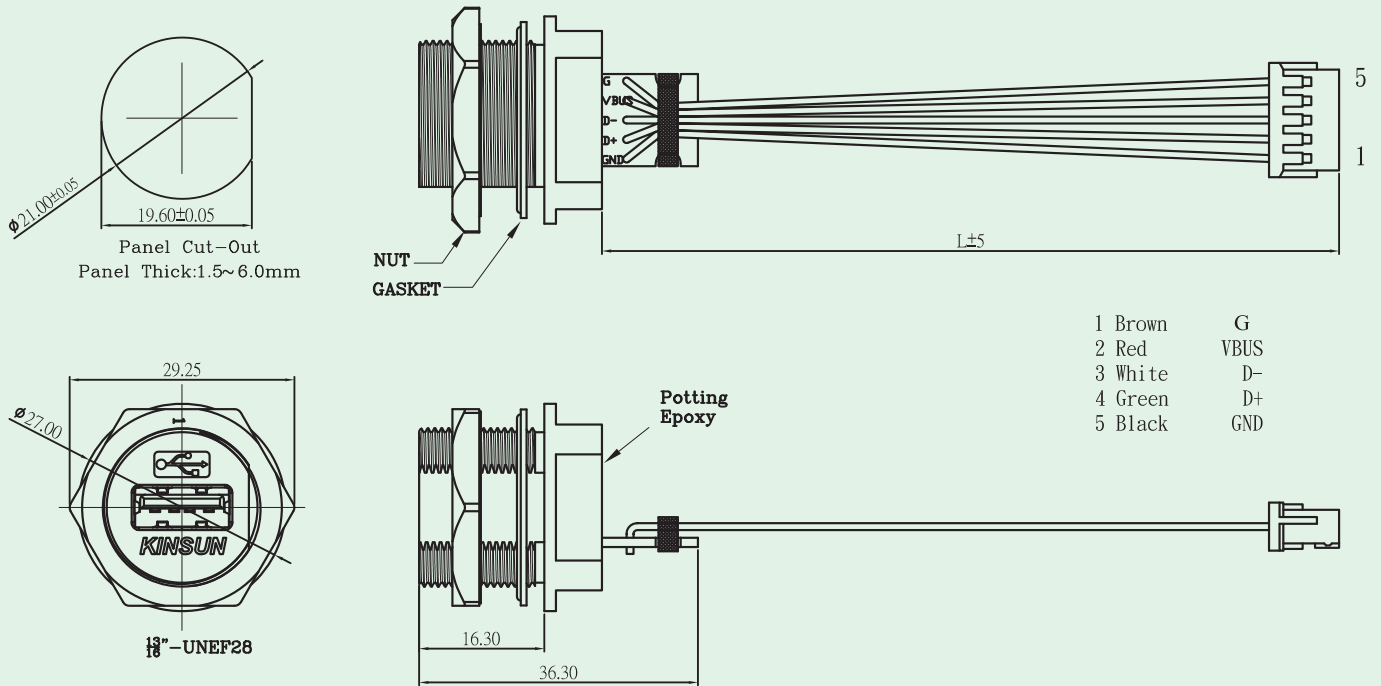
Ordering Information

3352K26020



Screw Locking Waterproof USB 2.0 With Wire Harness

KINSUN



Materials

- **Plastic Housing** : Engineering Thermoplastic.
Flammability Rating UL 94V-0.
- **Contacts** : Phosphor Bronze.
- **Plating** : Gold Plating Over Nickel In Contact.
- **Nut** : Engineering Thermoplastic Flammability Rating UL 94V-0
- **Gasket** : Silicone.
- **Panel Thick** : 1.5~6.0mm



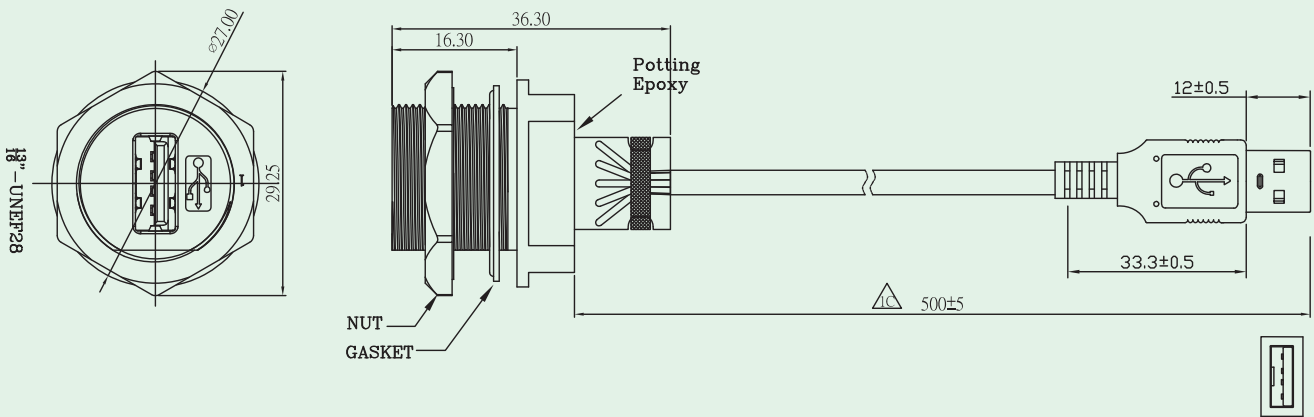
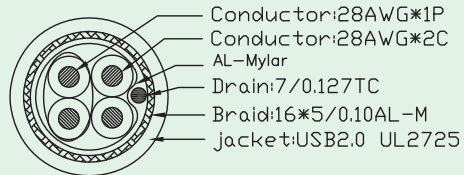
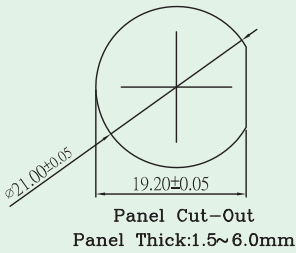
Ordering Information

3352U01060



Screw Locking Waterproof USB 2.0 With Plug

KINSUN



Materials

- **Plastic Housing** : Engineering Thermoplastic.
Flammability Rating UL 94V-0.
- **Contacts** : Phosphor Bronze.
- **Plating** : Gold Plating Over Nickel In Contact.
- **Nut** : Engineering Thermoplastic Flammability Rating UL 94V-0
- **Gasket** : Silicone.
- **Panel Thick** : 1.5~6.0mm



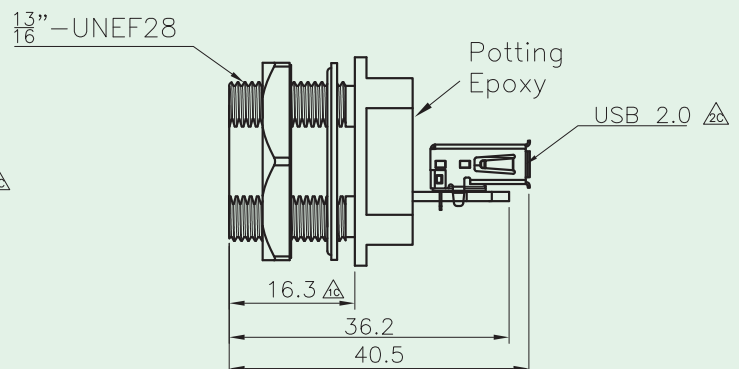
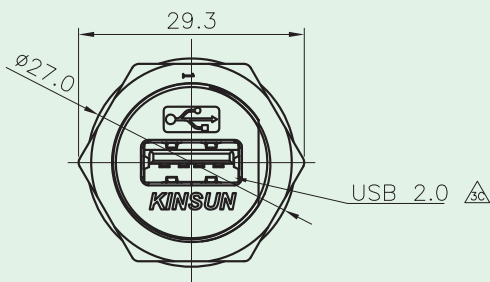
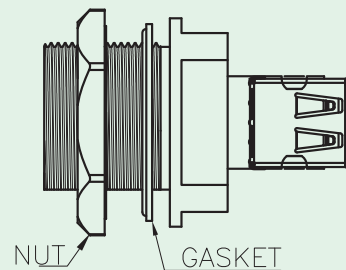
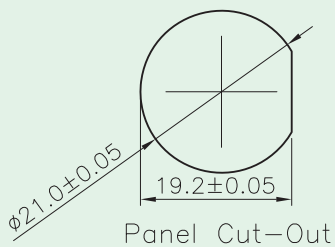
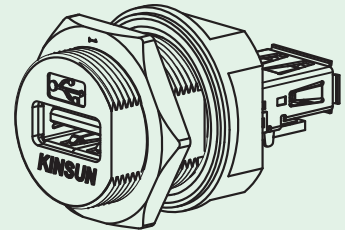
Ordering Information

3352U03010



Screw Locking Waterproof USB

KINSUN



Materials

- **Plastic Housing** : Engineering Thermoplastic.
Flammability Rating UL 94V-0.
- **Contacts** : Phosphor Bronze.
- **Plating** : Gold Plating Over Nickel In Contact.
- **Nut** : Engineering Thermoplastic Flammability Rating UL 94V-0
- **Gasket** : Silicone.
- **Panel Thick** : 1.5~6.0mm



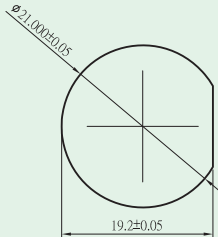
Ordering Information

3352U01410

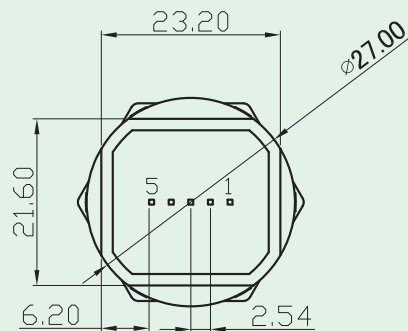
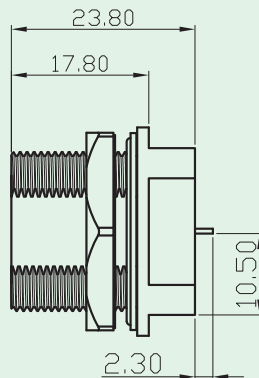
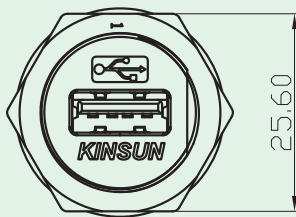
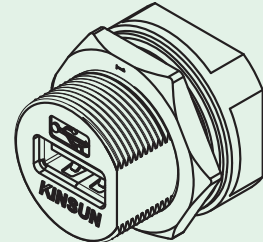


Screw Locking Waterproof USB 2.0 Dip Type

KINSUN



Panel Cut-Out
Panel Thick: 1.5~2.0mm



1. G
2. VBUS
3. D-
4. D+
5. GND

Materials

- **Plastic Housing** : Engineering Thermoplastic.
Flammability Rating UL 94V-0.
- **Contacts** : Phosphor Bronze.
- **Plating** : Gold Plating Over Nickel In Contact.
- **Nut** : Engineering Thermoplastic Flammability Rating UL 94V-0
- **Gasket** : Silicone.
- **Panel Thick** : 1.5~6.0mm



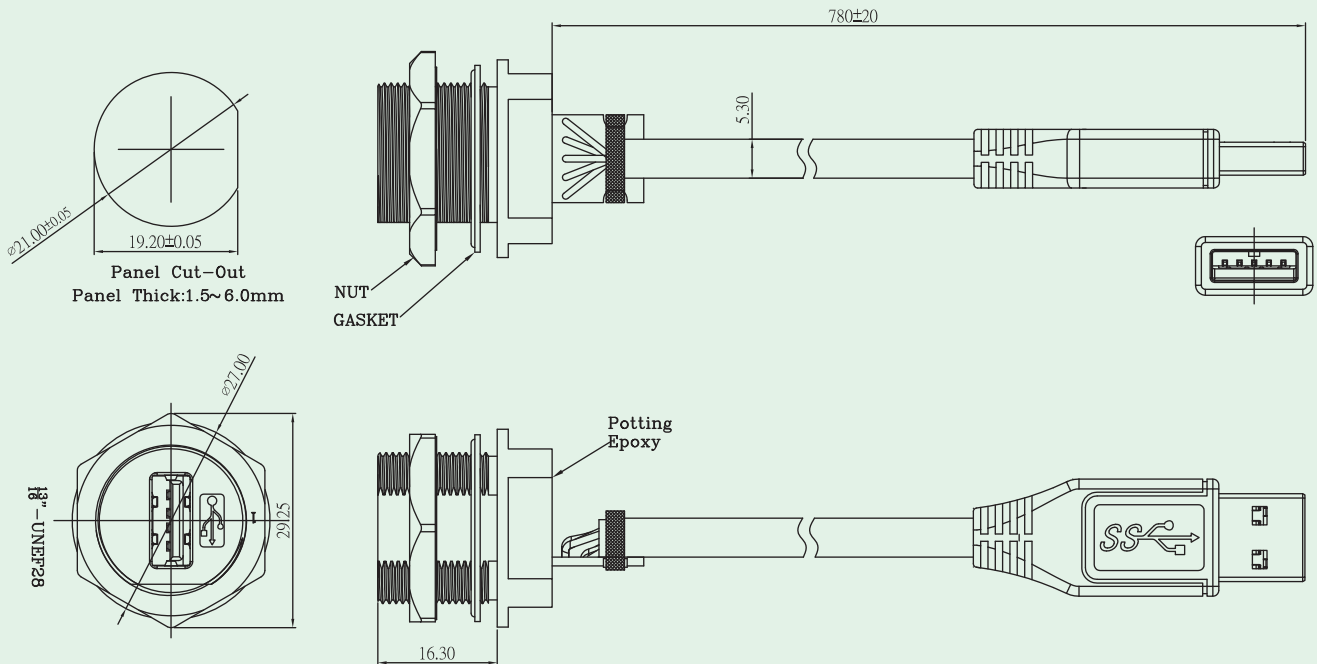
Ordering Information

3352U01360



Screw Locking Waterproof USB 3.0 With Plug

KINSUN



Materials

- **Plastic Housing** : Engineering Thermoplastic.
Flammability Rating UL 94V-0.
- **Contacts** : Phosphor Bronze.
- **Plating** : Gold Plating Over Nickel In Contact.
- **Nut** : Engineering Thermoplastic Flammability Rating UL 94V-0
- **Gasket** : Silicone.
- **Panel Thick** : 1.5~6.0mm



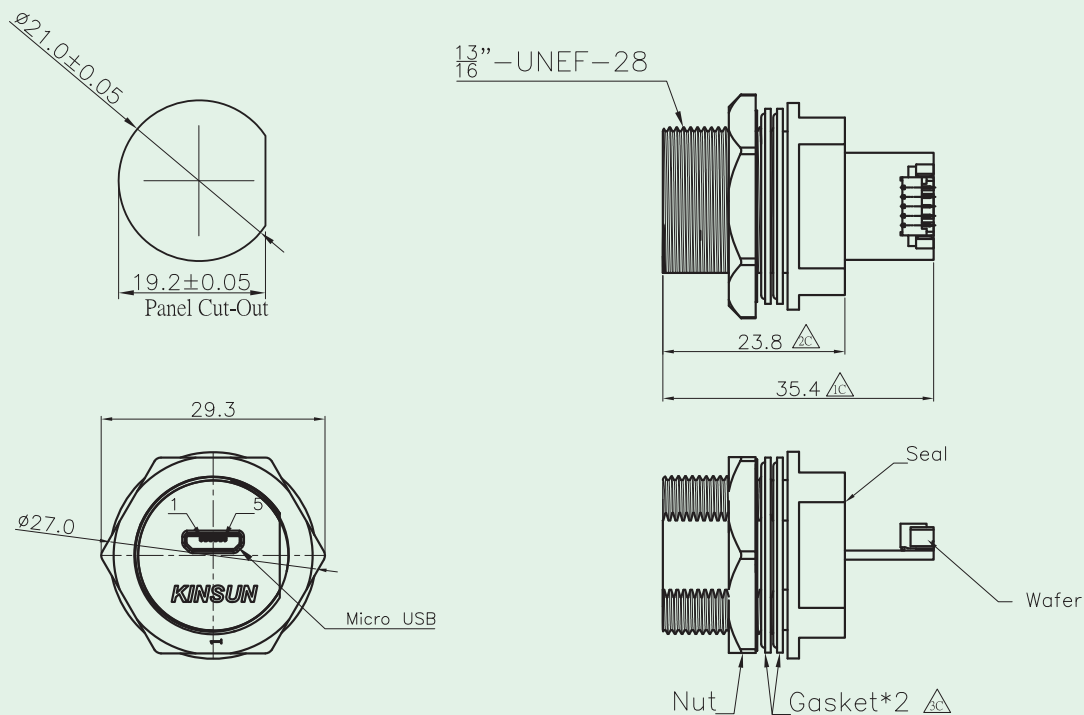
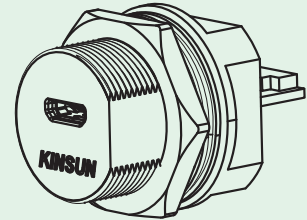
Ordering Information

3352U Series



Screw Locking Waterproof Micro USB With Wafer

KINSUN



Materials

- **Plastic Housing** : Engineering Thermoplastic.
Flammability Rating UL 94V-0.
- **Contacts** : Phosphor Bronze.
- **Plating** : Gold Plating Over Nickel In Contact.
- **Nut** : Engineering Thermoplastic Flammability Rating UL 94V-0
- **Gasket** : Silicone.
- **Panel Thick** : 1.5~6.0mm



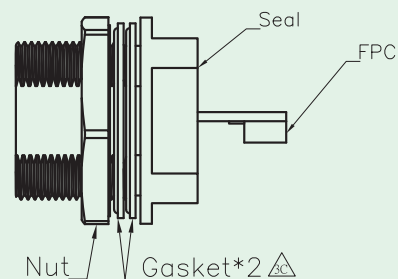
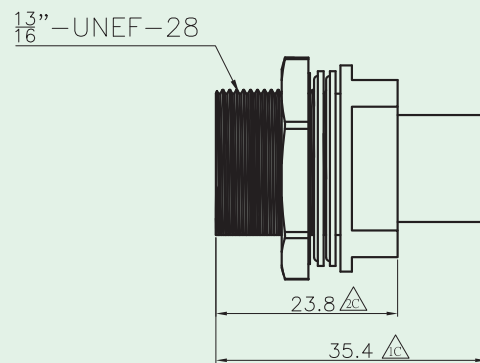
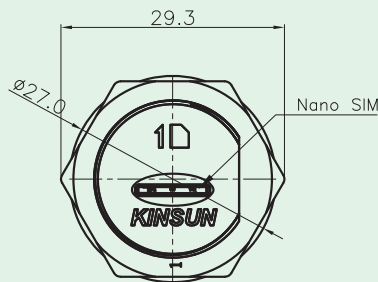
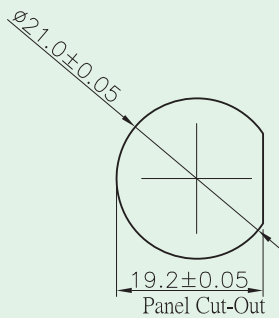
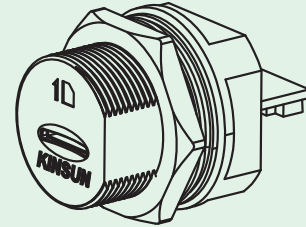
Ordering Information

3352U05010



Screw Locking Waterproof Nano SIM With FPC

KINSUN



Materials

- **Plastic Housing** : Engineering Thermoplastic.
Flammability Rating UL 94V-0.
- **Contacts** : Phosphor Bronze.
- **Plating** : Gold Plating Over Nickel In Contact.
- **Nut** : Engineering Thermoplastic Flammability Rating UL 94V-0
- **Gasket** : Silicone.
- **FPC** : GFP-330221-40804G.
- **Panel Thick** : 1.5~6.0mm



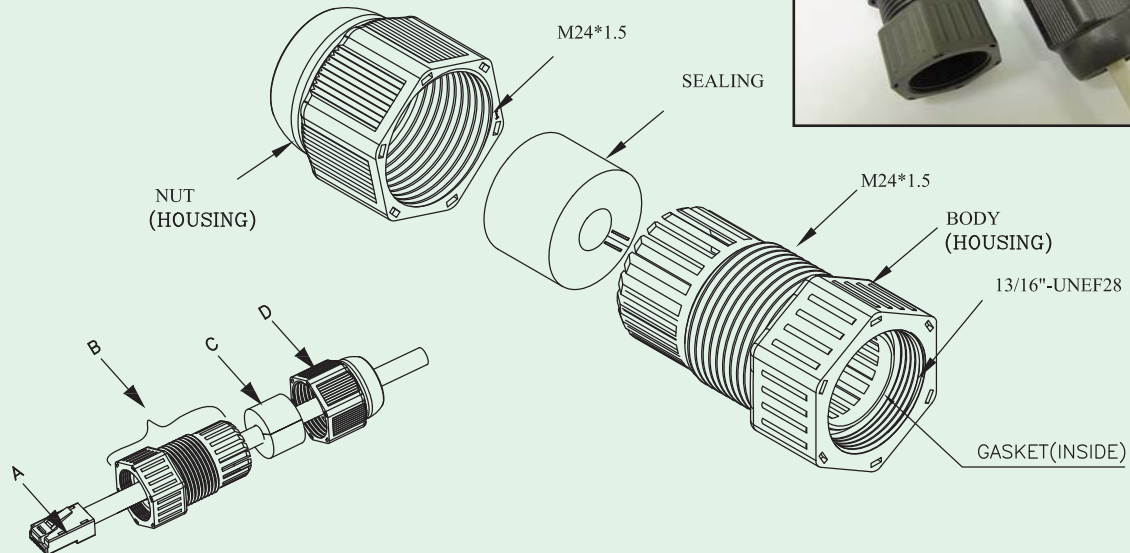
Ordering Information

3352S05010



Screw Locking Waterproof Cable Side

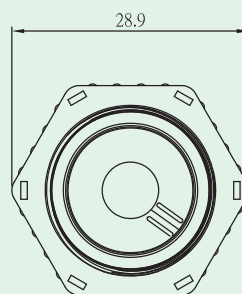
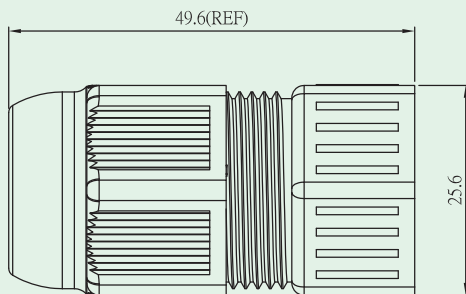
KINSUN



- A.Plug+Cable(not included)
- B.Body(Gasket inside)
- C.O-Ring
- D.Nut

Installation

- Step1:A into D
- Step2:C into step1
- Step3:B into step2



Seals	Size
1	φ5.5~7
2	φ7~9.5

Materials

- **Plastic Housing** : Engineering Thermoplastic.
Flammability Rating UL 94V-0.
- **Sealing Nut** : Engineering Thermoplastic.
Flammability Rating UL 94V-0.
- **Casket** : Silicon
- **Sealing** : Silicon



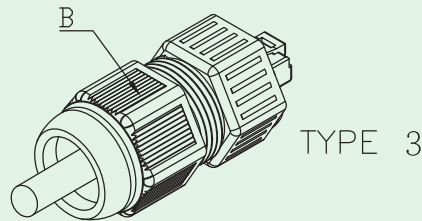
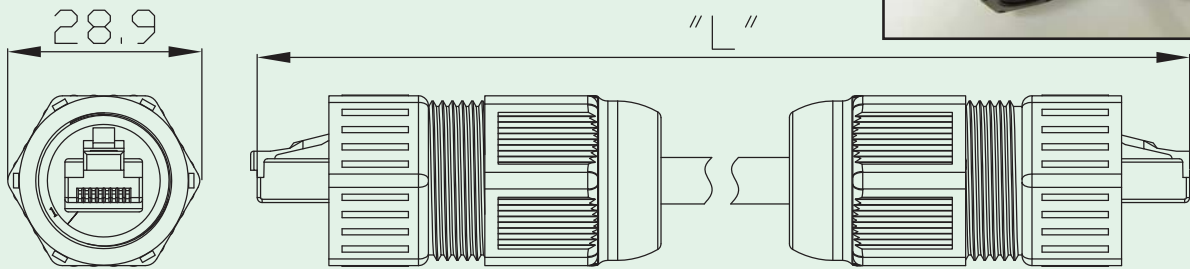
Ordering Information

3352L02010

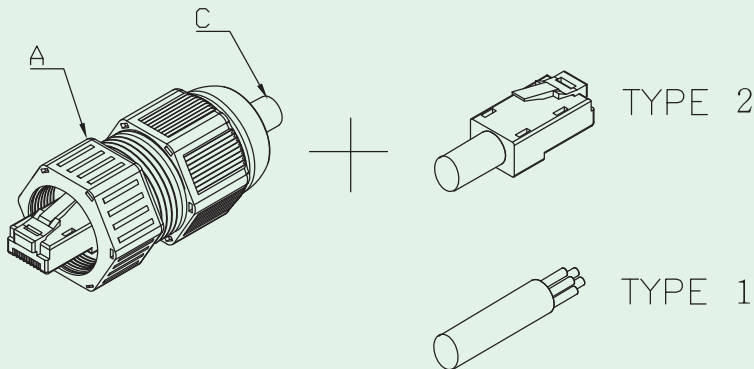


Screw Locking Waterproof Cable Assembly

KINSUN



NO.	NAME	COLOR	SPECIFICATION
A	3352 Plug W/Cable	BLACK	3352L02010+RJ45 Plug
B	Other Side Type	BLACK	See Below Table
C	Cable	BLACK	UL,Cat.5e



NO.	The Other Side Option Type
1	3352 Plug W/Cable
2	RJ45 Plug
3	Cable to be Flayed

Materials

Name	Color	Specification	QTY
Gasket	Red	Silicone	1
Body	Black	NY66	1
Seal	Red	Silicon	1
Seal Nut	Black	PBT	1



- **RJ45 Plug Housing** : PC
- **RJ45 Plug Contacts** : Phosphor Bronze, finish : Gold over Nickel
- **Cable** : Cat 5e.

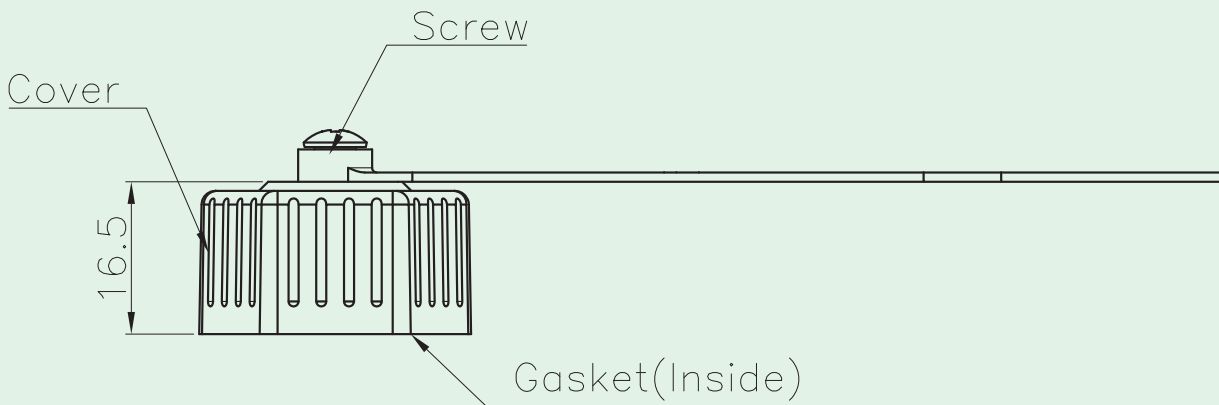
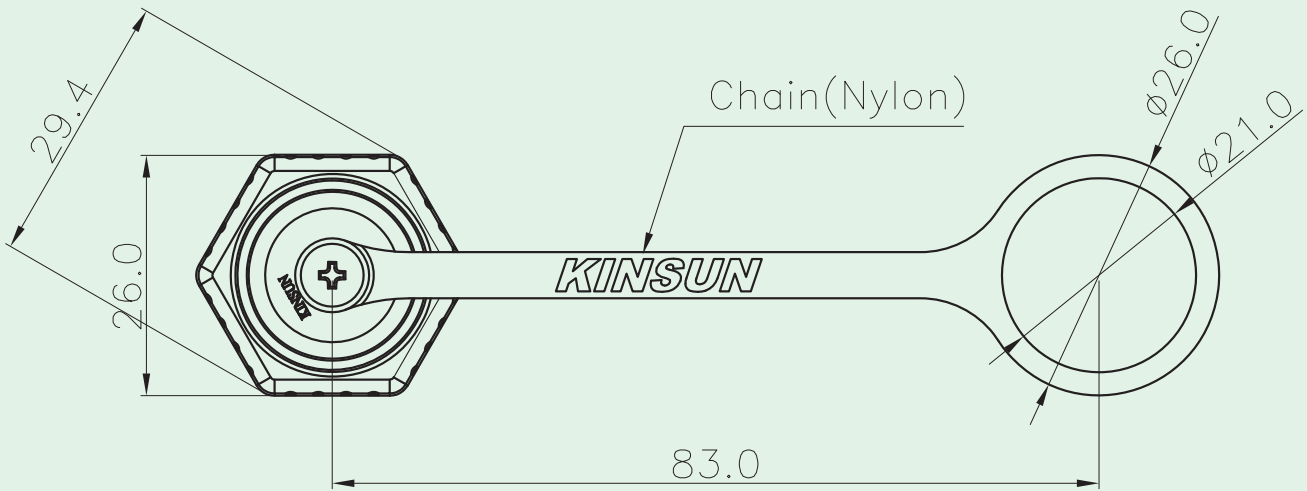
Ordering Information

3352-C Series



Screw Locking Waterproof Cap Cap With Nylon Chain

KINSUN



Materials

- **Cop** : Engineering Thermoplastic.
Flammability Rating UL 94V-0.
- **Chain** : Nylon. Color.Black.
- **Screws** : Stainless Steel.
- **Casket** : Silicone.



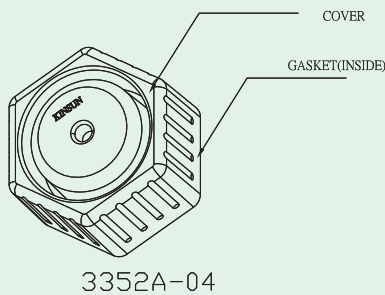
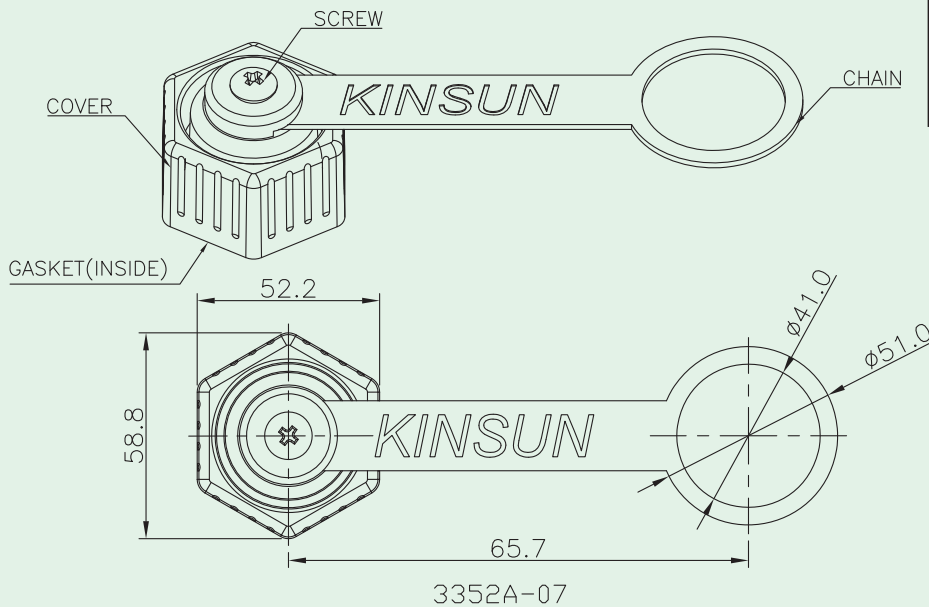
Ordering Information

3352A-09 : Cap With Chain



Screw Locking Waterproof Cap With Silicone Chain

KINSUN



Materials

- **Cap** : Engineering Thermoplastic
Flammability Rating UL 94V-0.
- **Chain** : Silicone.
- **Screws** : Stainless Steel.
- **Gasket** : Silicone.



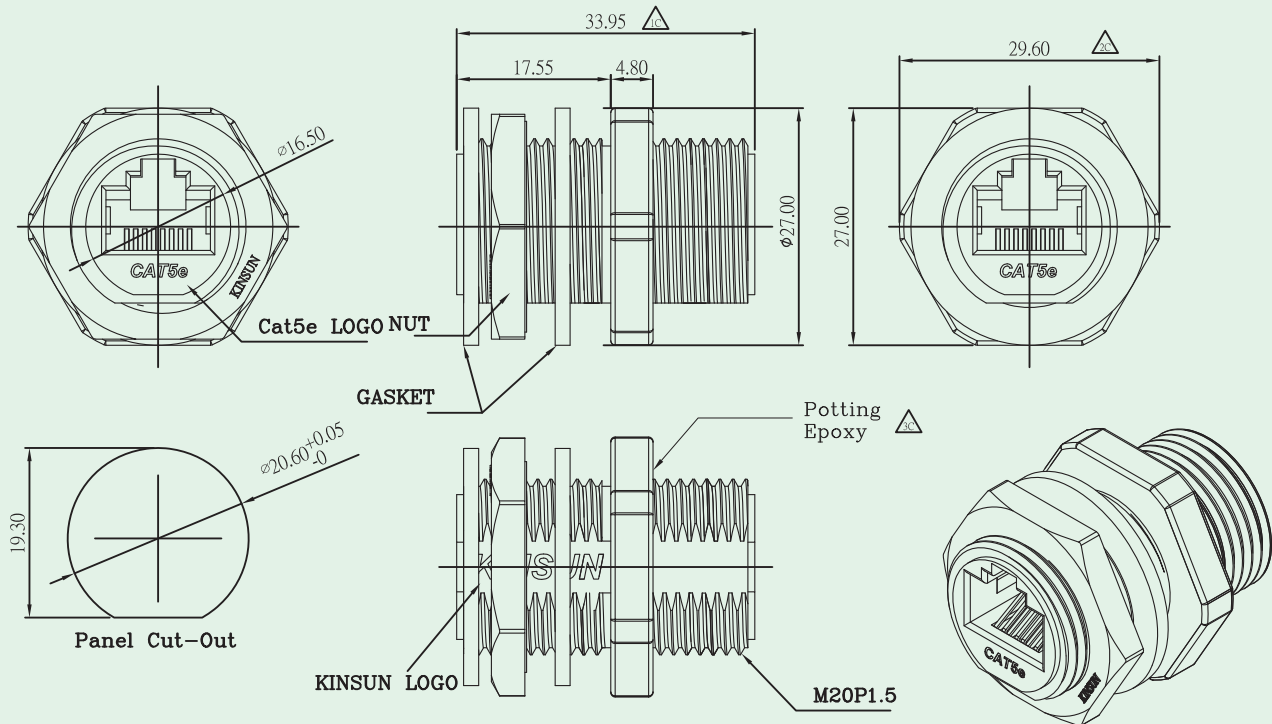
Ordering Information

3352A-04 : Cap and Seal only
3352A-07 : Cap With Chain



Screw Locking Waterproof RJ45 Cat. 5e Coupler Ø20mm

KINSUN



Materials

- **Plastic Housing** : Engineering Thermoplastic
Flammability Rating UL 94V-0.
- **Contacts** : Phosphor Bronze.
- **Plating** : Gold Plating Over Nickel In Contact.
- **Nut** : Engineering Thermoplastic Flammability Rating UL 94V-0
- **Gasket** : EPDM 70° COLOR : BLACK



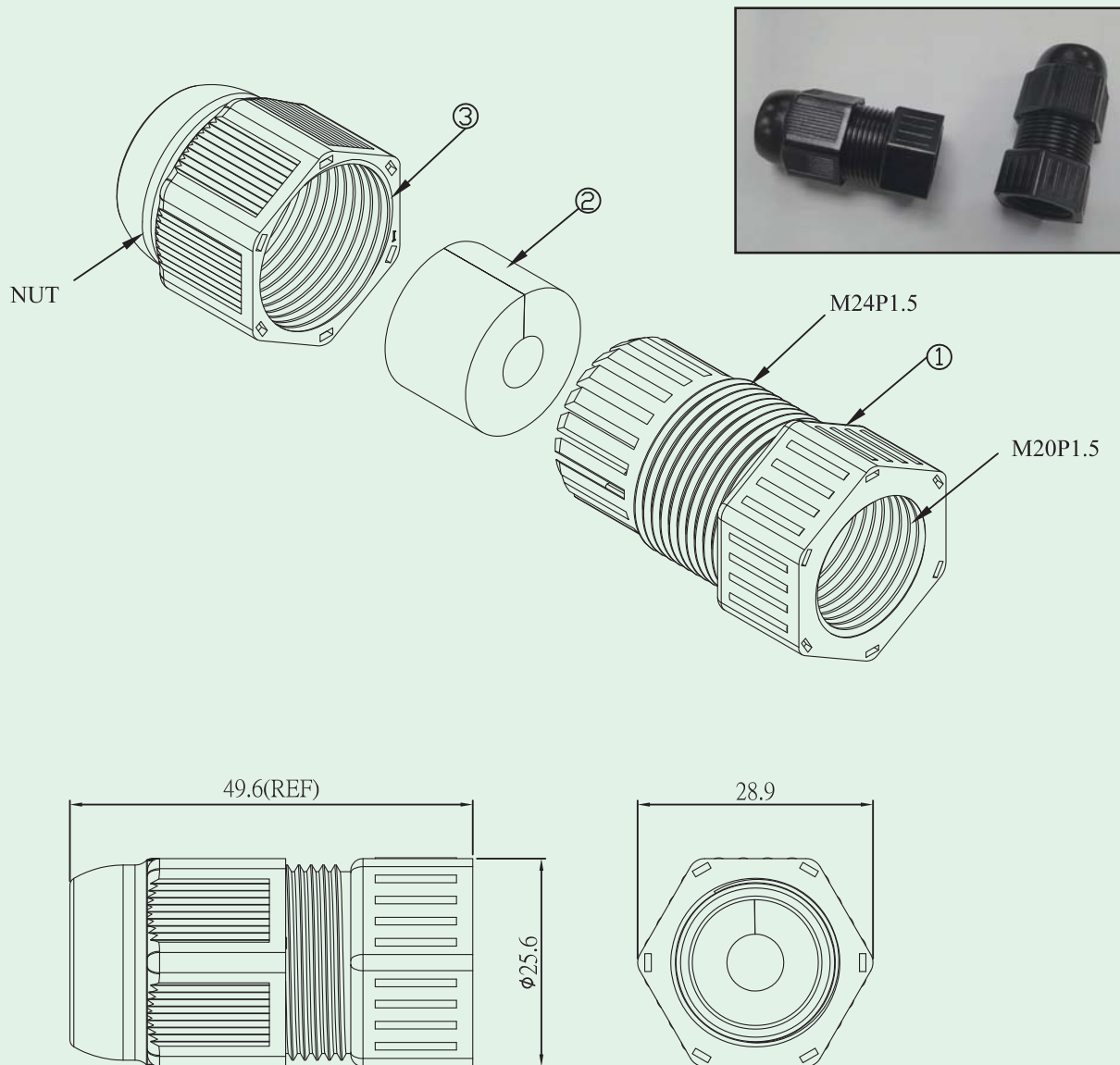
Ordering Information

3354C01402



Screw Locking Waterproof Cable Side M20P1.5

KINSUN



Materials

No.	Name	Color	Specification	QTY
1	Body	Black	PC	1
2	Seal	Red	Silicone	1
3	Seal Nut	Black	PC	1



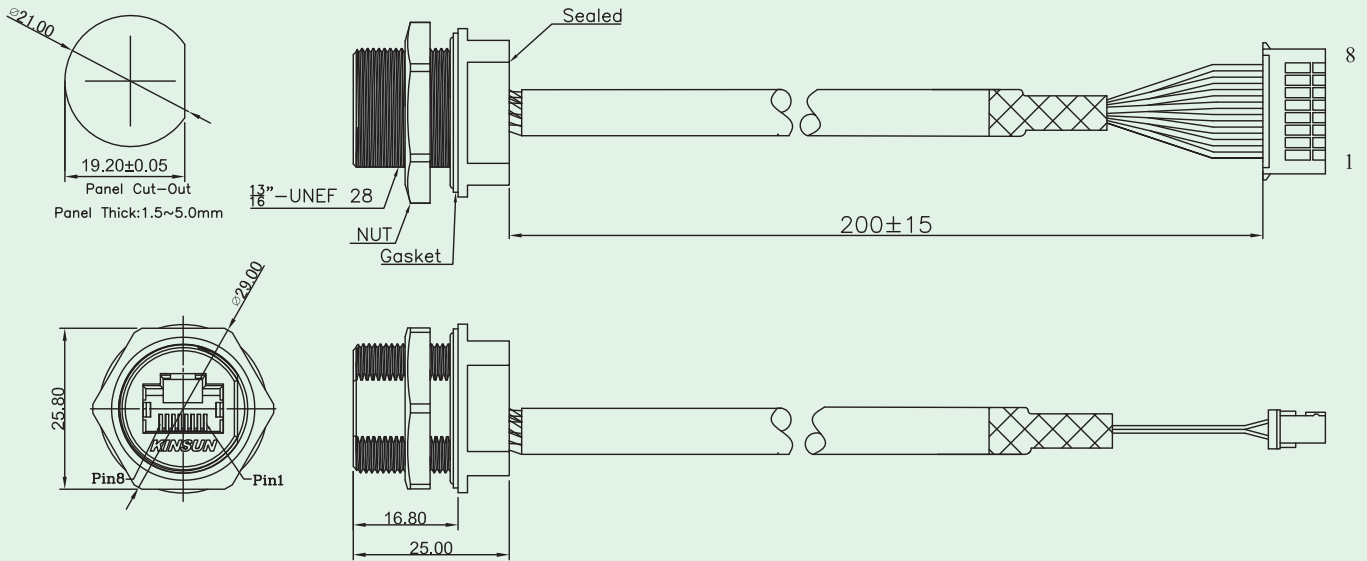
Ordering Information

3354L-11



Screw Locking Metal Waterproof RJ45 With Wire Harness

KINSUN



Materials

- **Housing** : Zinc Alloy, Nickel Plated
- **Nut** : Copper Alloy, Nickel Plated
- **Gasket** : Silicone Color : Red
- **Contacts** : Phosphor Bronze
- **Plating** : Gold Plating Over Nickel In Contact.
- **Housing** : Pitch 2.5mm



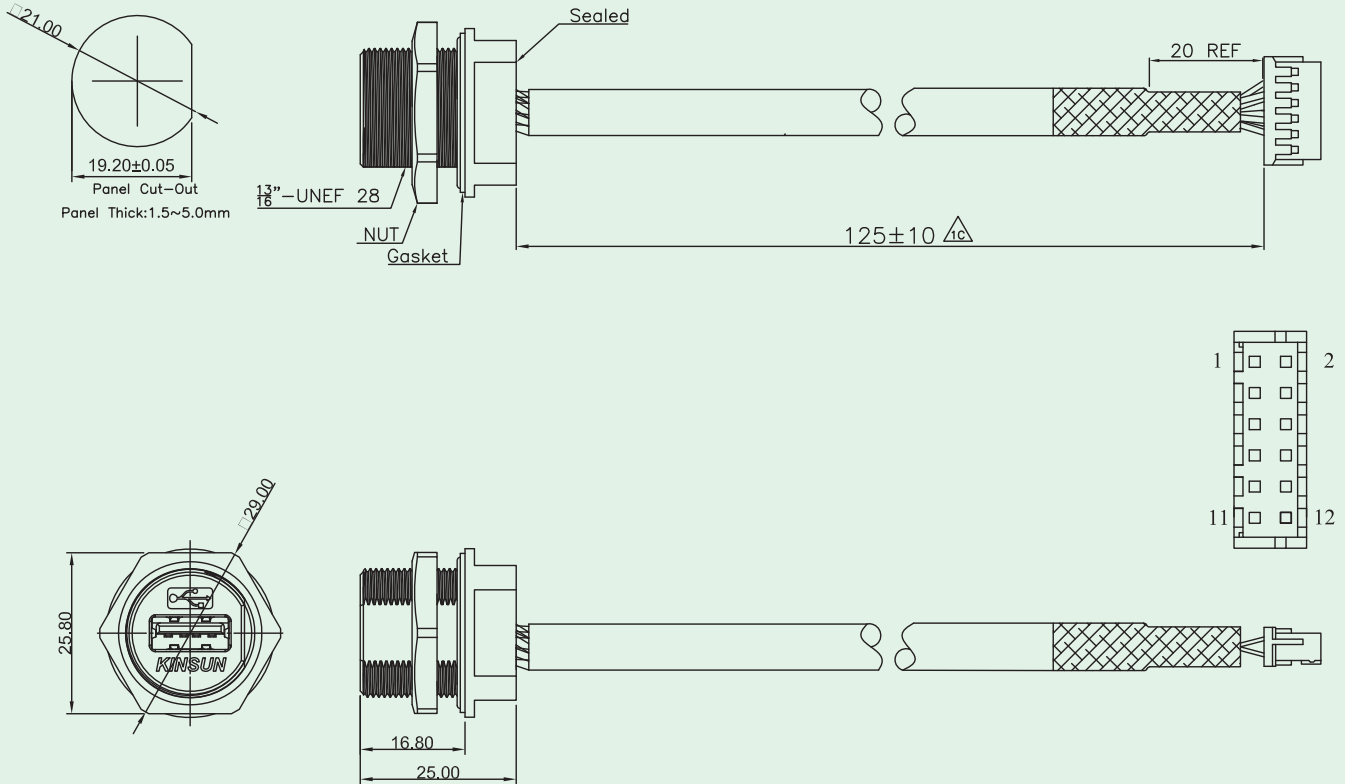
Ordering Information

3356E Series



Screw Locking Metal Waterproof USB With Wire Harness

KINSUN



Materials

- **Housing** : Zinc Alloy, Nickel Plated
- **Nut** : Copper Alloy, Nickel Plated
- **Gasket** : Silicone Color : Red
- **Housing** : Pitch 2.0mm



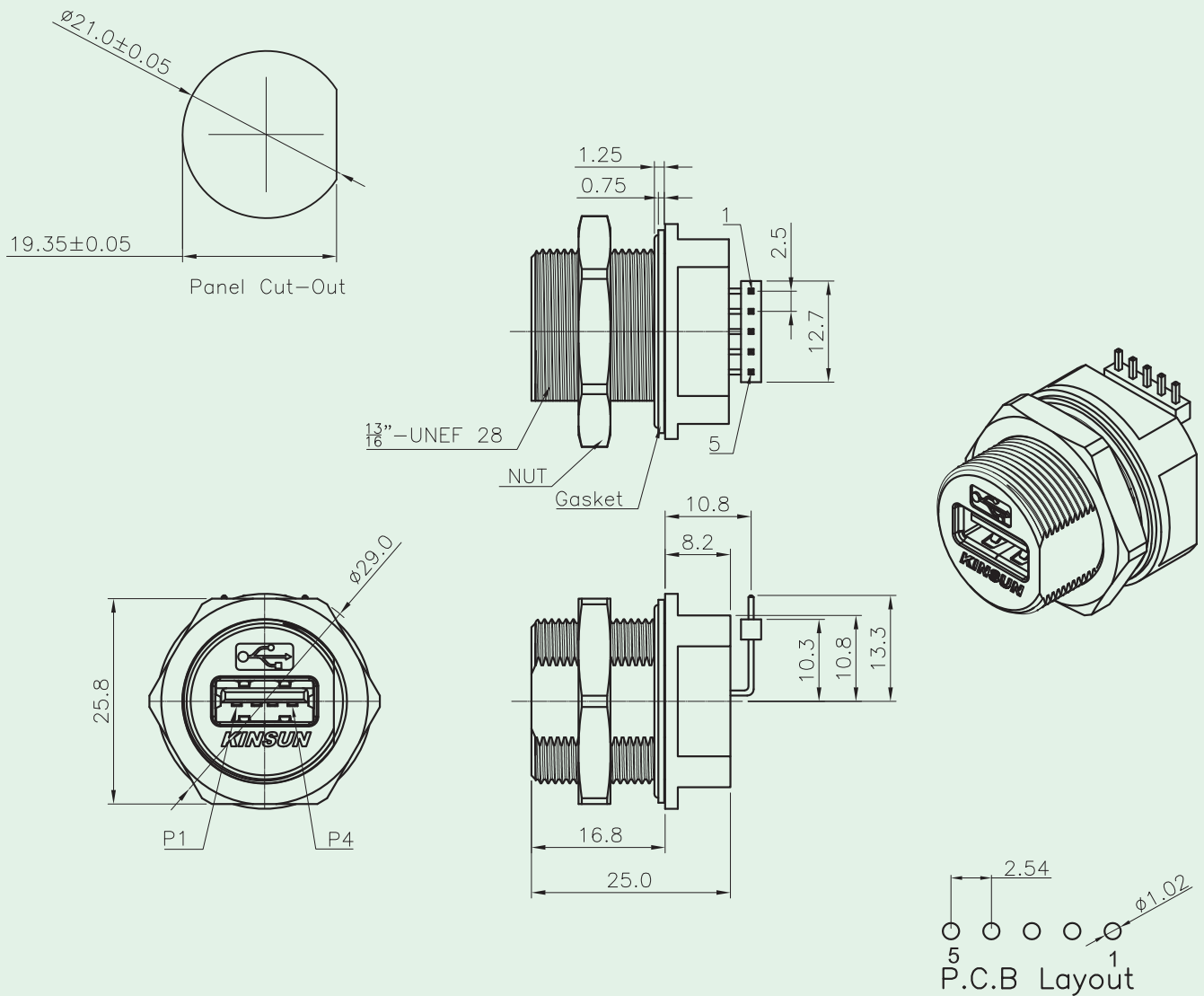
Ordering Information

3356U Series



Screw Locking Metal Waterproof USB Sealed Right Angle Dip Type

KINSUN



Materials

- **Housing** : Zinc Alloy, Nickel Plated
- **Nut** : Copper Alloy, Nickel Plated
- **Gasket** : Silicone Color : Black
- **Plating** : Gold Plating Over Nickel In Contact.
- **Nut Installation Torque Range Is** : 16~18kg - cm.
- **Panel Thickness:** 5.0mm Max.



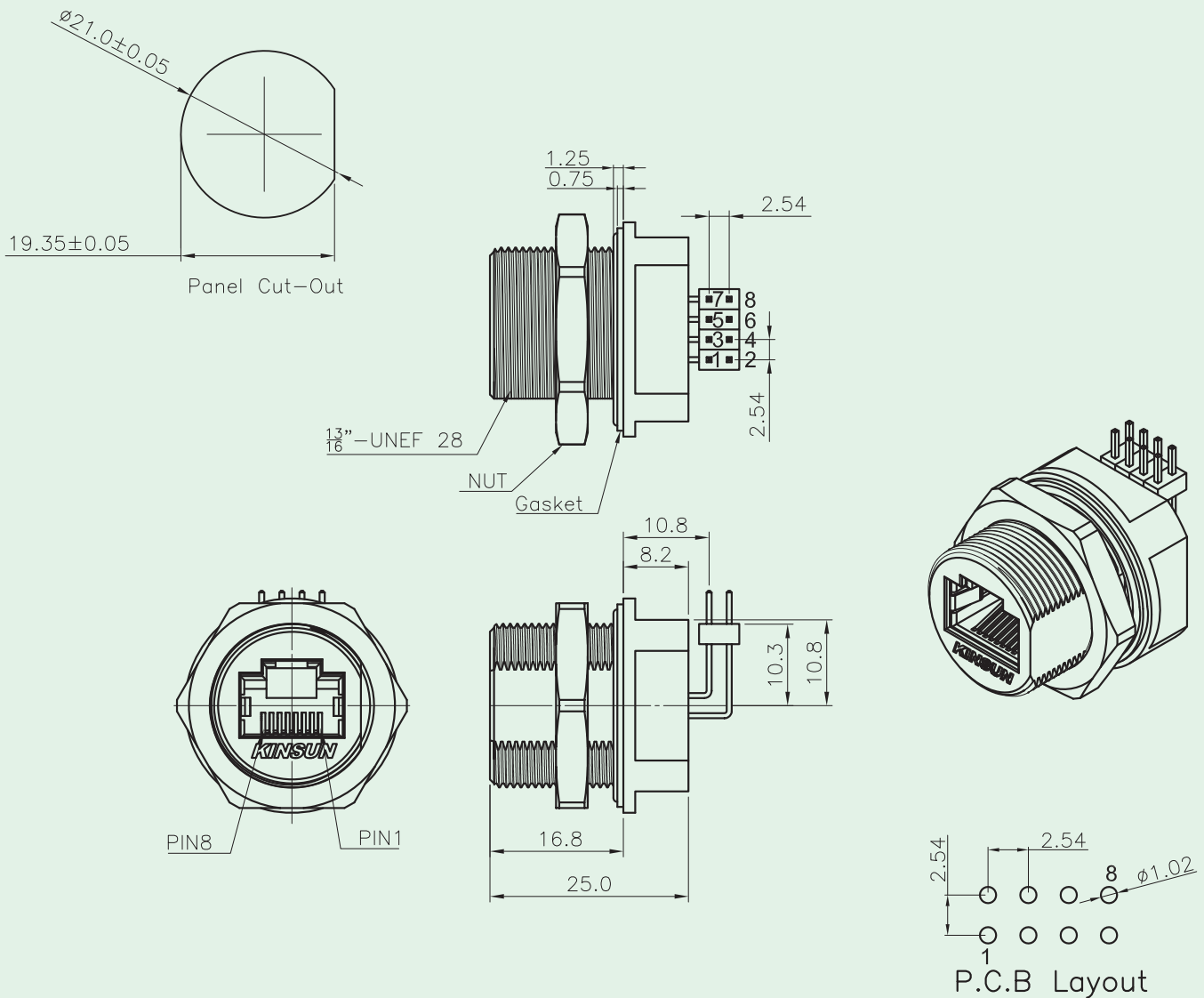
Ordering Information

3356U Series



Screw Locking Metal Waterproof RJ45 Sealed Right Angle Dip Type

KINSUN



Materials

- **Housing** : Zinc Alloy, Nickel Plated
- **Nut** : Copper Alloy, Nickel Plated
- **Gasket** : Silicone Color : Black
- **Contacts** : Phosphor Bronze
- **Plating** : Gold Plating Over Nickel In Contact.
- **Nut Installation Torque Range Is** : 16~ 18kg - cm.
- **Panel Thickness** : 5.0mm Max.



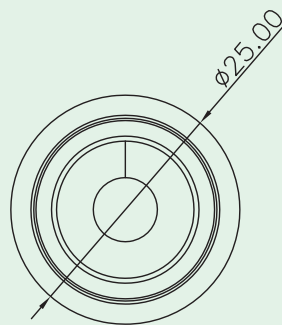
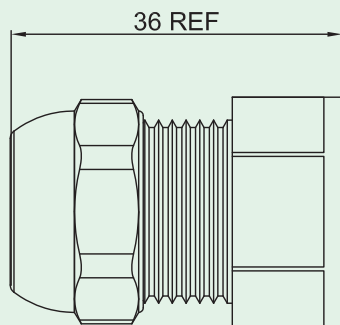
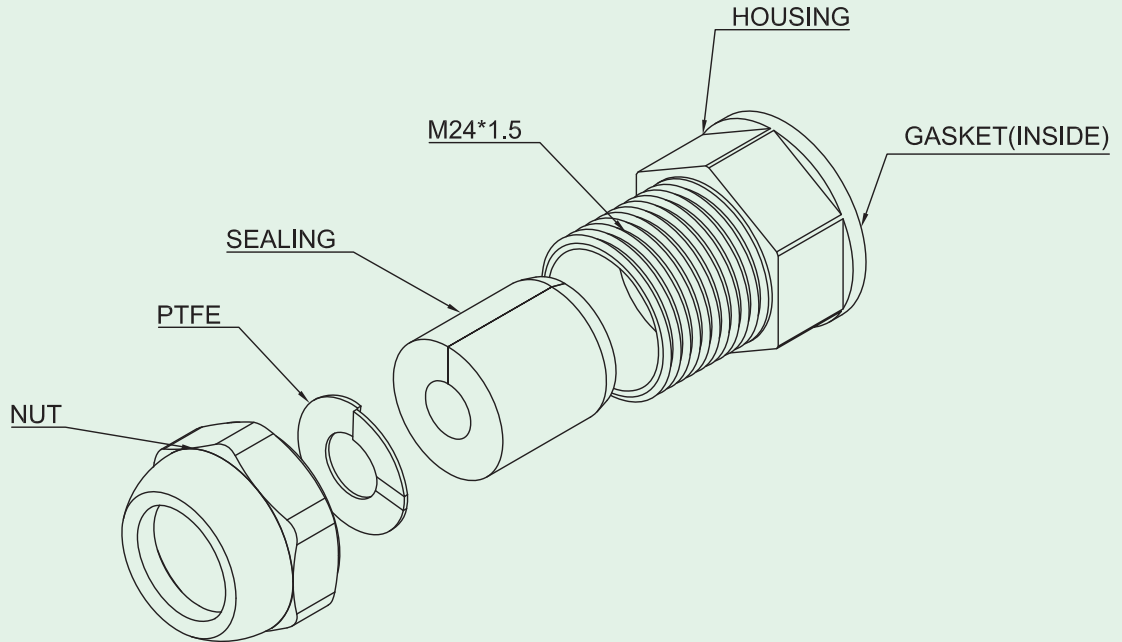
Ordering Information

3356F Series



Screw Locking Metal Waterproof Cable Side

KINSUN



Materials

- **Housing** : Copper Alloy, Nickel Plated
- **Nut** : Zinc Alloy, Nickel Plated
- **Gasket** : Silicone Color : Red
- **Sealyng** : Silicone Color : Red
- **TPFE** : Polytetrafluoroethene



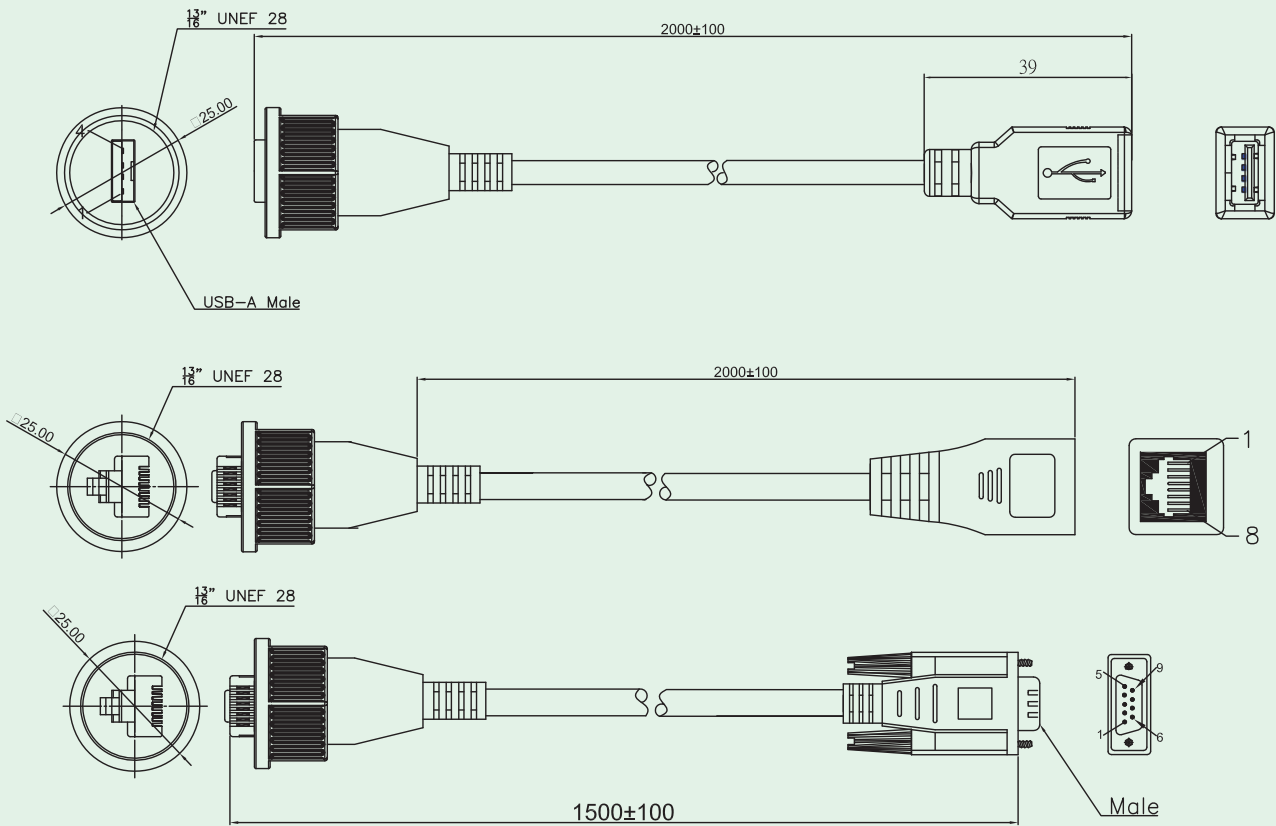
Ordering Information

3356L Series



Screw Locking Metal Waterproof Cable Assembly

KINSUN



Materials

- **Cap** : Zinc Alloy, Nickel Plated
- **Gasket** : Silicone Color : Red



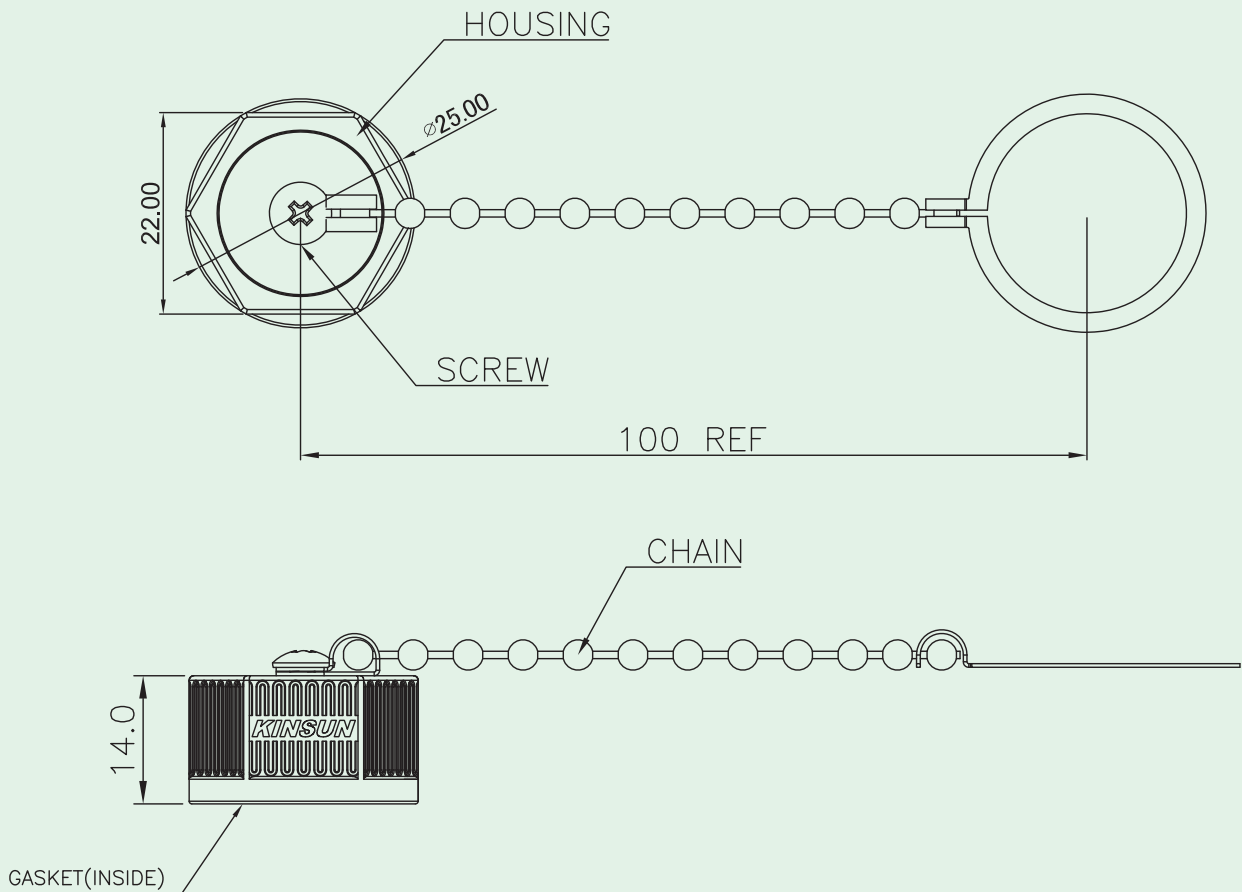
Ordering Information

3356C Series



Screw Locking Metal Waterproof Cap

KINSUN



Materials

- **Housing** : Zinc Alloy, Nickel Plated
- **Gasket** : Silicone Color : Red
- **Chain** : Stainless Steel
- **Screw** : Stainless Steel



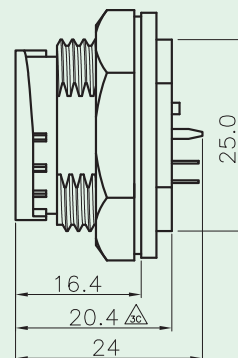
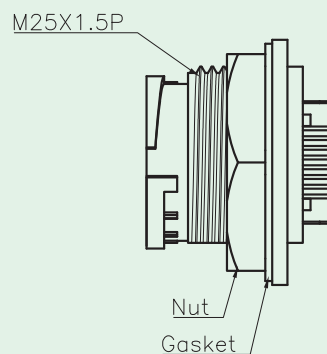
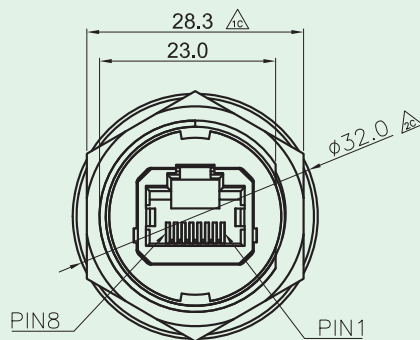
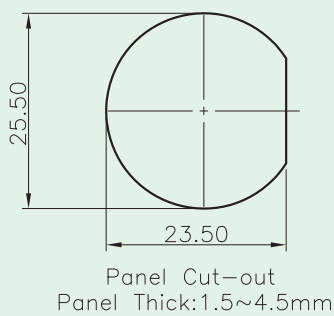
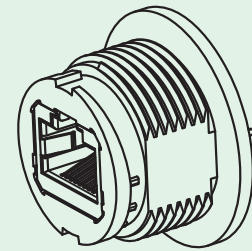
Ordering Information

3356A Series



Quick Locking Dip Type Waterproof Cat.5e RJ45

KINSUN



Materials

- **Plastic Housing** : Engineering Thermoplastic.
Flammability Rating UL 94V-0.
- **Contacts** : Phosphor Bronze.
- **Plating** : Gold Plating Over Nickel In Contact.
Tin Plating Over Nickel In Solder Area.
- **Shielded** : Bress With Nickel Plated.
- **Nut** : Engineering Thermoplastic Flammability Rating UL 94V-0
- **Gasket** : Silicone.



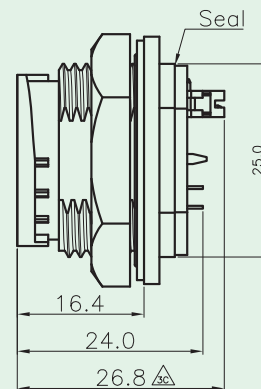
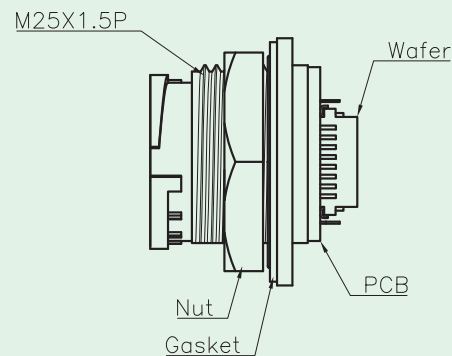
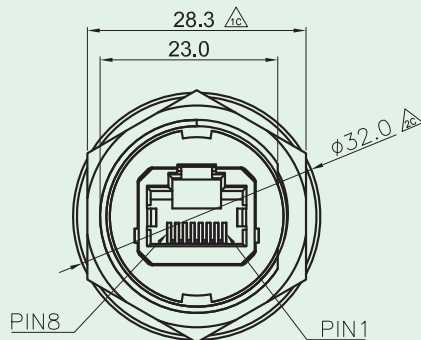
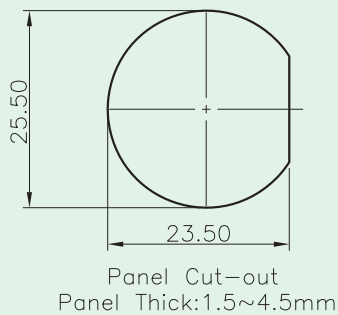
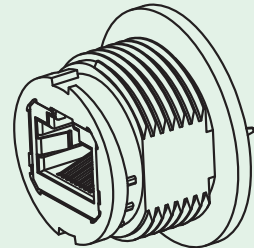
Ordering Information

3351D02030



Quick Locking Waterproof Cat.5e RJ45 With Wafer

KINSUN



Materials

- **Plastic Housing** : Engineering Thermoplastic.
Flammability Rating UL 94V-0.
- **Contacts** : Phosphor Bronze.
- **Plating** : Gold Plating Over Nickel In Contact.
Tin Plating Over Nickel In Solder Area.
- **Shielded** : Bress With Nickel Plated.
- **Nut** : Engineering Thermoplastic Flammability Rating UL 94V-0
- **Gasket** : Silicone.



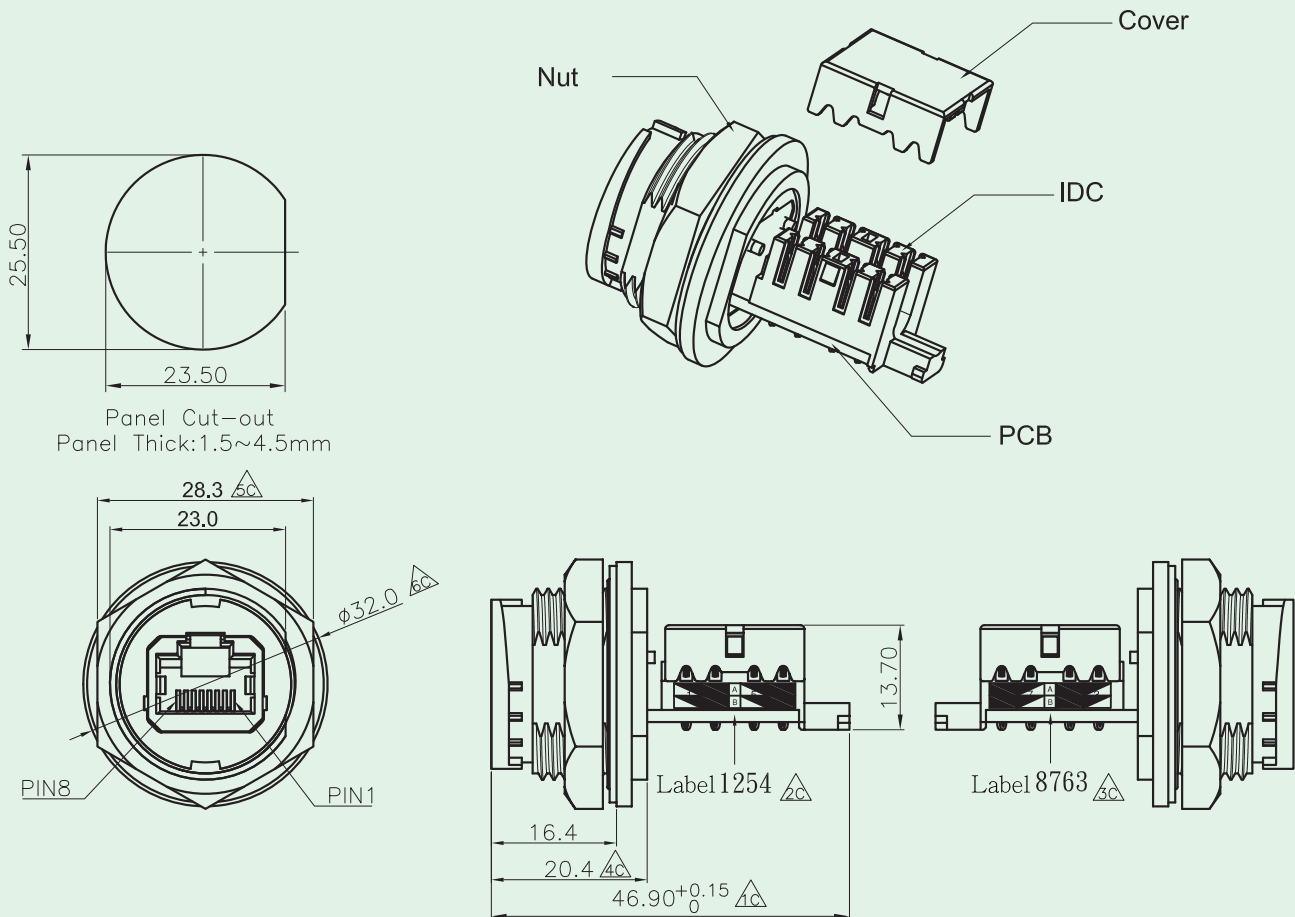
Ordering Information

3351D02130



Quick Locking Waterproof Cat.6 RJ45 With IDC

KINSUN



Materials

- **Plastic Housing** : Engineering Thermoplastic.
Flammability Rating UL 94V-0.
- **Contacts** : Phosphor Bronze.
- **Plating** : Gold Plating Over Nickel In Contact.
Tin Plating Over Nickel In Solder Area.
- **Shielded** : Bress With Nickel Plated.
- **Nut** : Engineering Thermoplastic Flammability Rating UL 94V-0
- **Gasket** : Silicone.
- **IDC Pin** : Brass.
- **IDC Pin Plating** : Tin Plating Over Nickel.



Ordering Information

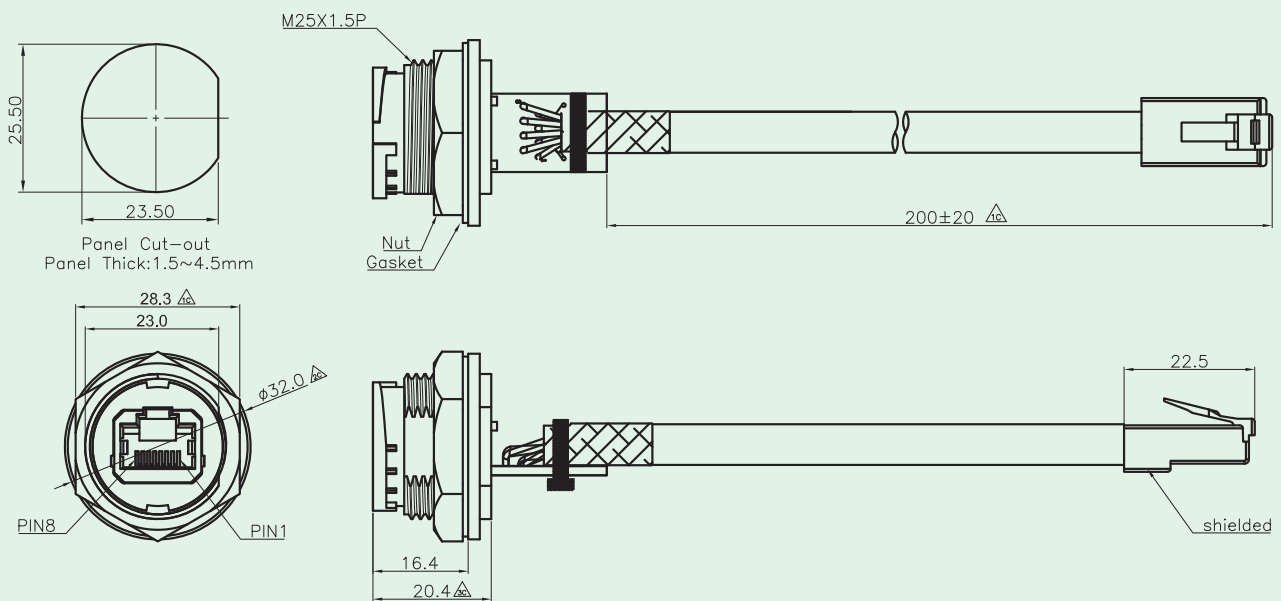
3351F02030



Quick Locking Waterproof Cat. 5e RJ45 With Cable And Plug

KINSUN

Shielded	Drain		shielede.	
8	Brown	棕	8	Twist
7	Brown/White	棕/白	7	
6	Green	綠	6	Twist
5	Blue/White	藍/白	5	
4	Blue	藍	4	Twist
3	Green/White	綠/白	3	
2	Orange	橙	2	Twist
1	Orange/White	橙/白	1	
Conn	Wire Color		Housing	



Materials

- **Plastic Housing** : Engineering Thermoplastic.
Flammability Rating UL 94V-0.
- **Contacts** : Phosphor Bronze.
- **Plating** : Gold Plating Over Nickel In Contact.
Tin Plating Over Nickel In Solder Area.
- **Shielded** : Bress With Nickel Plated.
- **Nut** : Engineering Thermoplastic Flammability Rating UL 94V-0
- **Gasket** : Silicone.
- **Gable** : Cat. 5e,FTP,24AWG*4P,PVC Jakect Black.



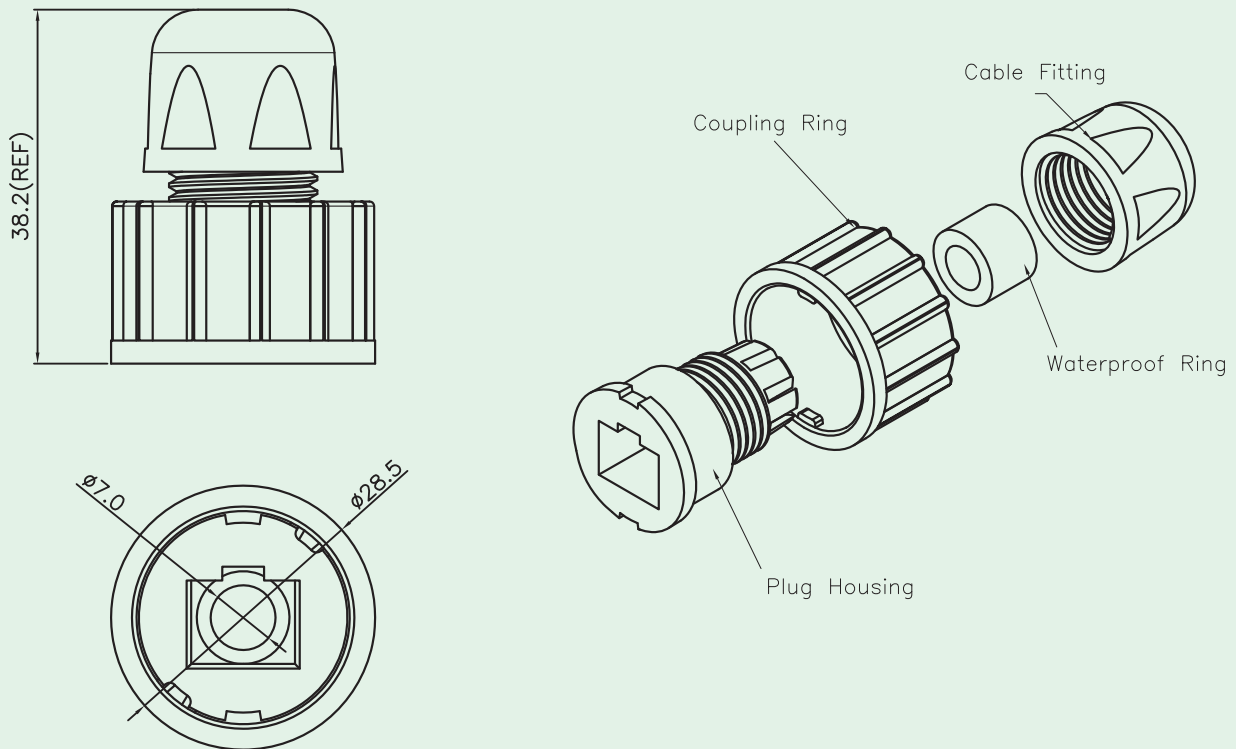
Ordering Information

3351H02030



Quick Locking Waterproof Cable Side

KINSUN



Materials

- **Coupling Ring** : Engineering Thermoplastic.
Flammability Rating UL 94V-0.
- **Plup Housing** : Engineering Thermoplastic.
Flammability Rating UL 94V-0.
- **Cable Fitting** : Engineering Thermoplastic.
Flammability Rating UL 94V-0.
- **O-ring** : Silicone.
- **Waterproof Ring** : Silicone.
- **Applicable Ethernet Cable Diameter Range** : $\varnothing 5.5 \sim \varnothing 7.0$



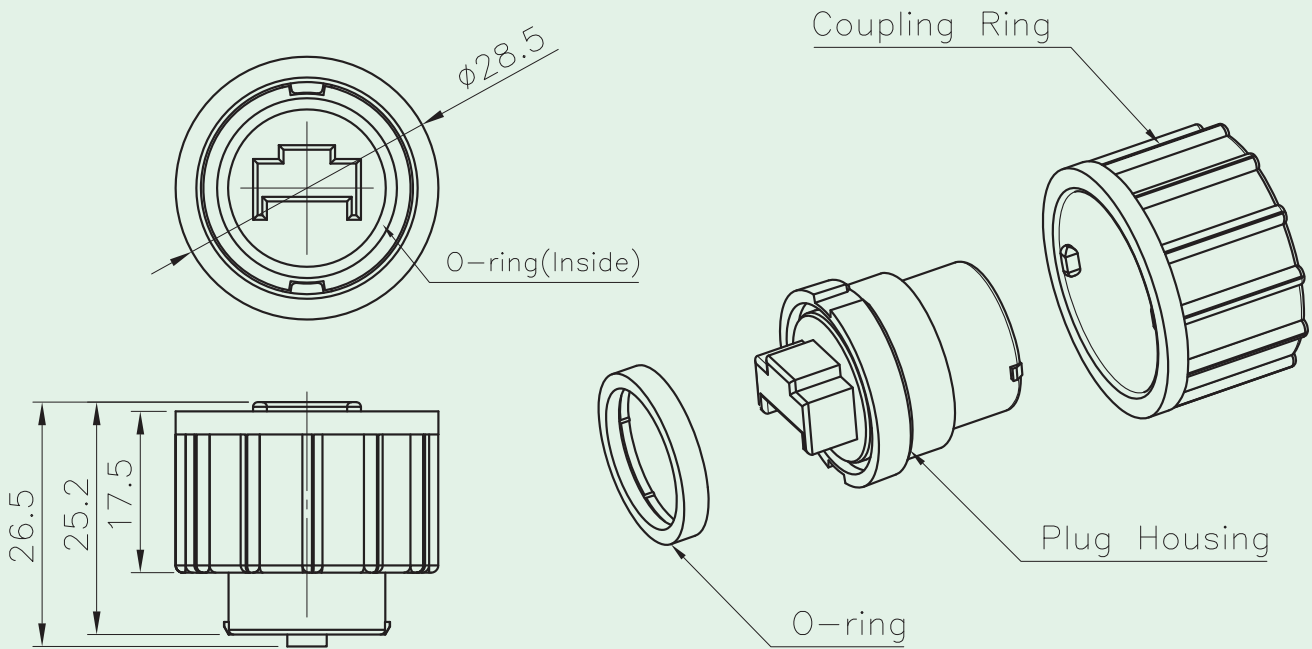
Ordering Information

3351L-02



Quick Locking Waterproof Cap

KINSUN



Materials

- **Coupling Ring** : Engineering Thermoplastic
Flammability Rating UL 94V-0.
- **Plug Housing** : Engineering Thermoplastic
Flammability Rating UL 94V-0.
- **O-ring** : Silicone.



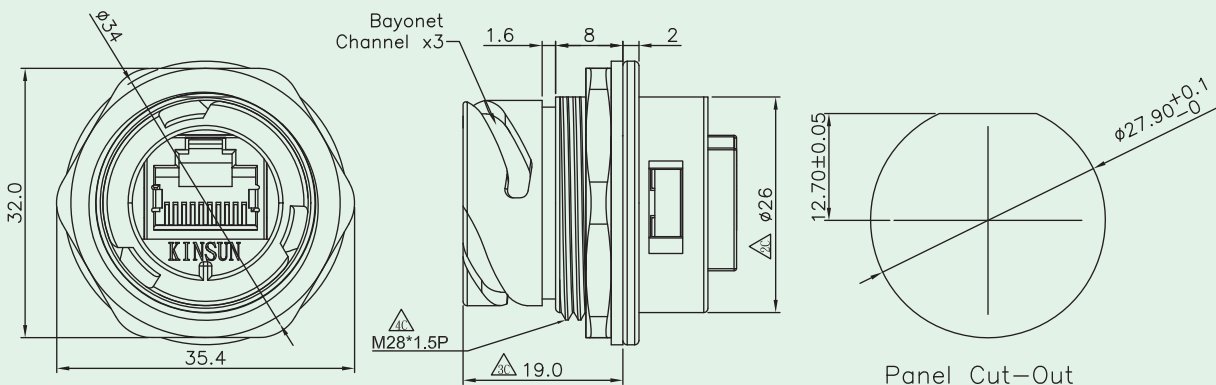
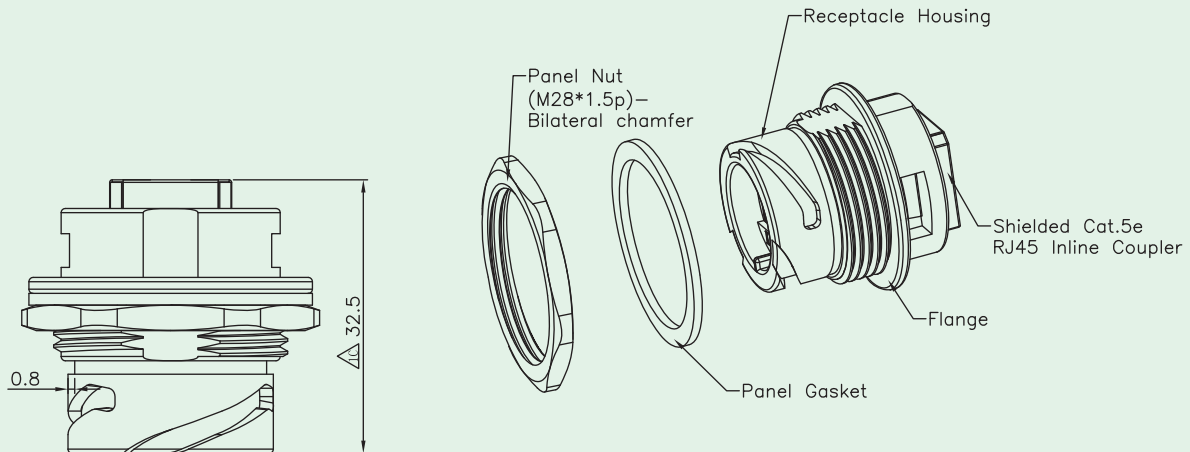
Ordering Information

3351A-02



Quick Locking Metal Waterproof RJ45 Cat.5e Coupler

KINSUN



Materials

- **Receptacle Housing** : Zn Alloy 3, Nickel Plated
 - **Panel Nut** : Coper Alloy, Nickel Plated
 - **Panel Gasket** : Sillcon
 - **RJ45 Jack Metal Shell** : Coper Alloy, Nickel Plated
 - **RJ45 Jack Plastic Housing** : Engineerng Thermoplastic Flammibility Rating UL94 V-0
 - **RJ45 Jack Contact** : Phosphor Bronze, finish : Gold over Nickel
- Connector can be front mounted to a maximum panel thickness of 3.2mm.



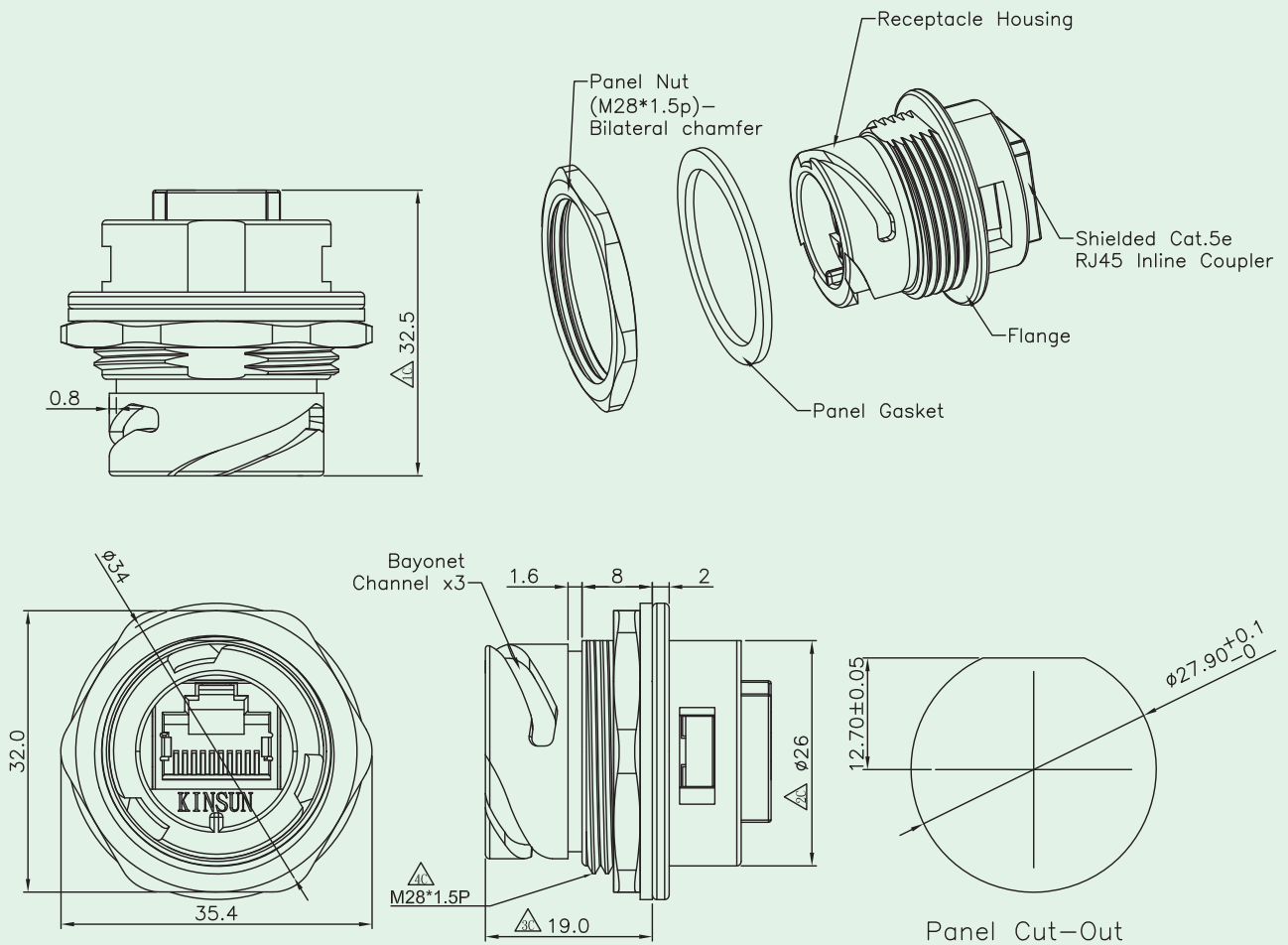
Ordering Information

3353D00040



Quick Locking Metal Waterproof RJ45 Cat.6a Coupler

KINSUN



Materials

- **Receptacle Housing** : Zn Alloy 3, Nickel Plated
- **Panel Nut** : Coper Alloy, Nickel Plated
- **Panel Gasket** : Sillcon
- **RJ45 Jack Metal Shell** : Coper Alloy, Nickel Plated
- **RJ45 Jack Plastic Housing** : Engineering Thermoplastic Flammability Rating UL94 V-0
- **RJ45 Jack Contact** : Phosphor Bronze, finish : Gold over Nickel

Connector can be front mounted to a maximum panel thickness of 3.2mm.



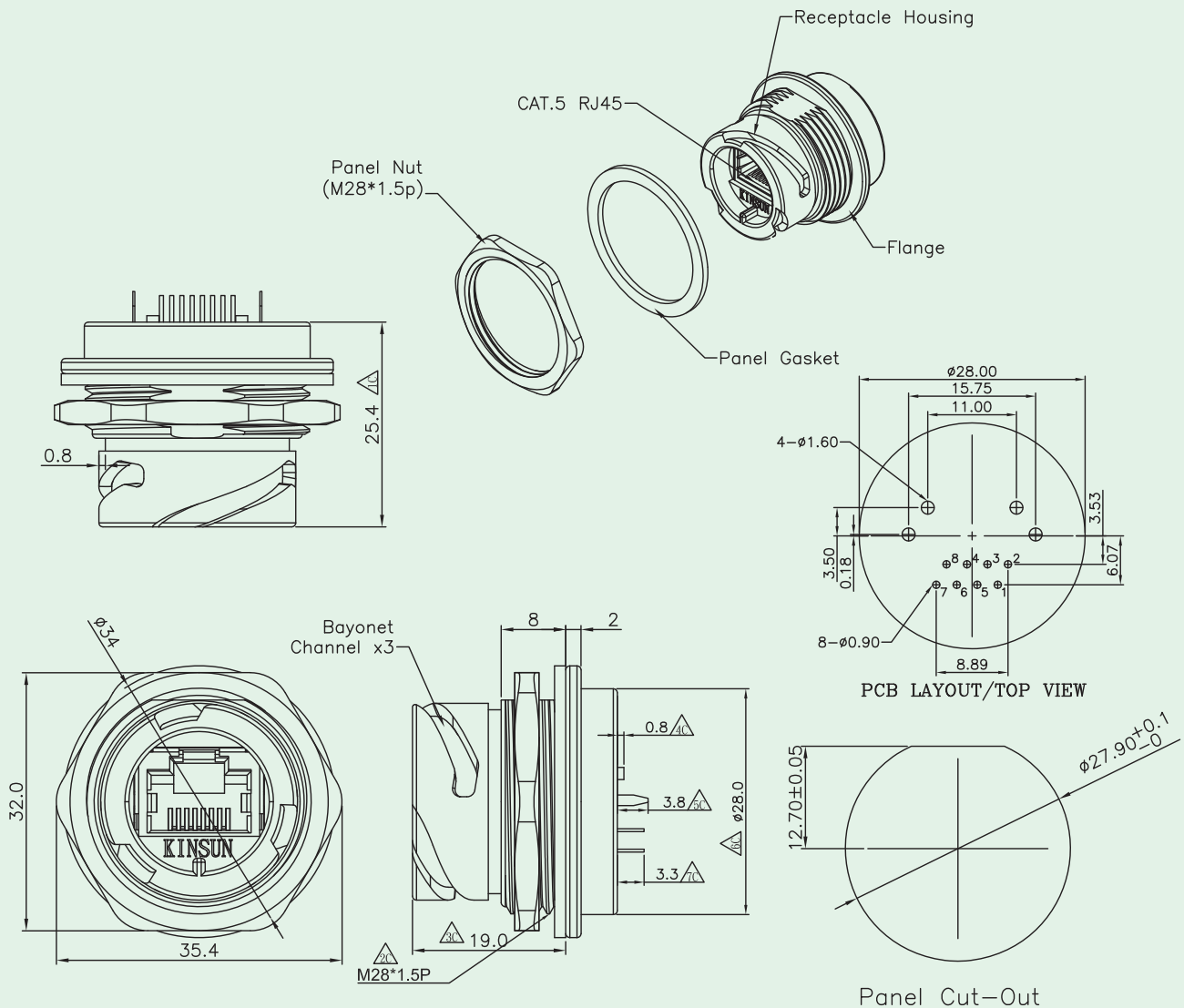
Ordering Information

3353D00140



Quick Locking Metal RJ45 Dip Type

KINSUN



Materials

- **Receptacle Housing** : Zn Alloy 3, Nickel Plated
- **Panel Nut** : Coper Alloy, Nickel Plated
- **Panel Gasket** : Sillcon
- **RJ45 Jack Metal Shell** : Coper Alloy, Nickel Plated
- **RJ45 Jack Plastic Housing** : Engineering Thermoplastic Flammability Rating UL94 V-0
- **RJ45 Jack Contact** : Phosphor Bronze, finish : Gold over Nickel

Connector can be front mounted to a maximum panel thickness of 3.2mm.



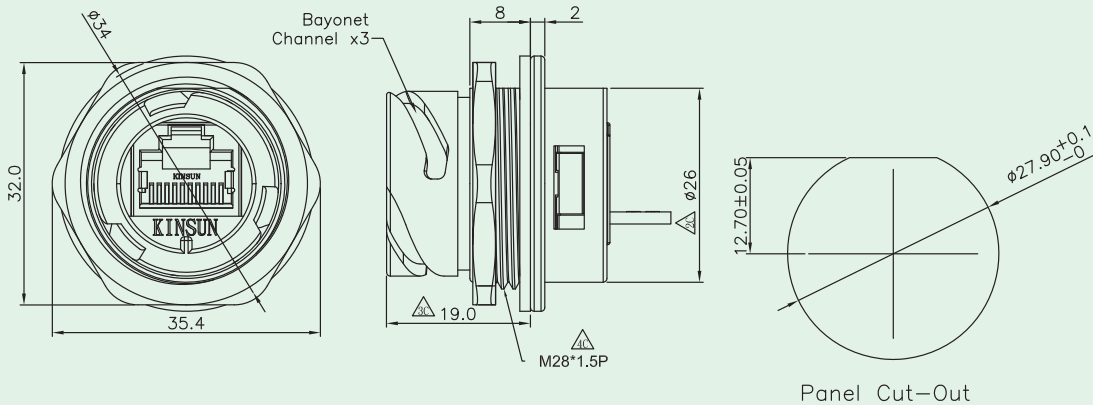
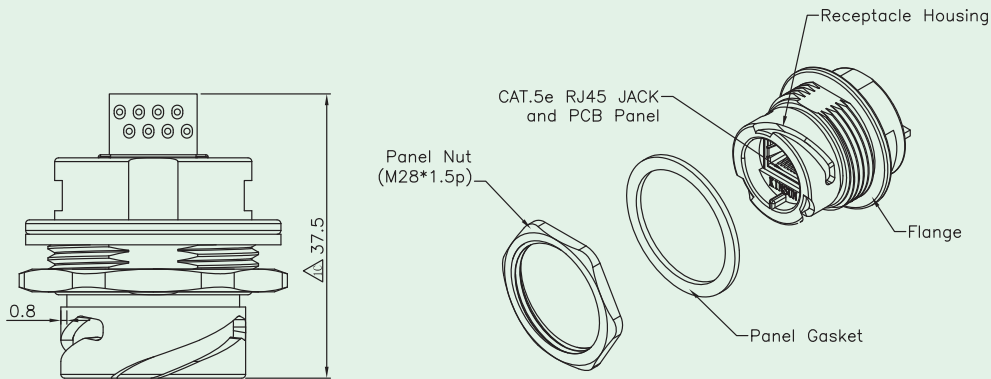
Ordering Information

3353E00140



Quick Locking Metal Waterproof RJ45 With PCB

KINSUN



Materials

- Receptacle Housing : Zn Alloy 3, Nickel Plated
- Panel Nut : Coper Alloy, Nickel Plated
- Panel Gasket : Sillcon
- RJ45 Jack Metal Shell : Coper Alloy, Nickel Plated
- RJ45 Jack Plastic Housing : Engineering Thermoplastic Flammibility Rating UL94 V-0
- RJ45 Jack Contact : Phosphor Bronze, finish : Gold over Nickel

Connector can be front mounted to a maximum panel thickness of 3.2mm.



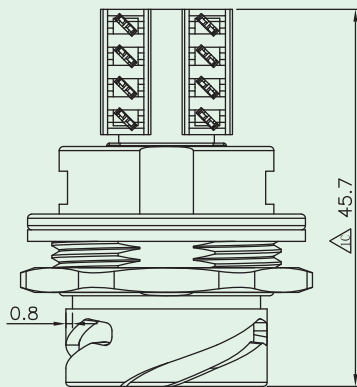
Ordering Information

3353F00040

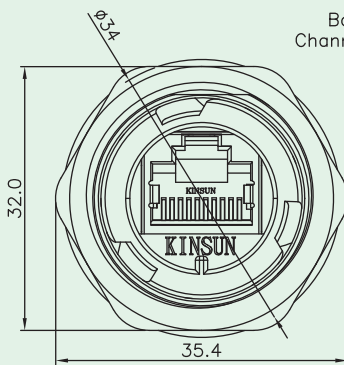
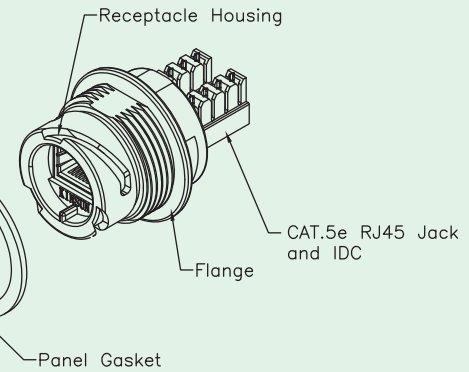


Quick Locking Metal Waterproof Cat.5e Jack With IDC

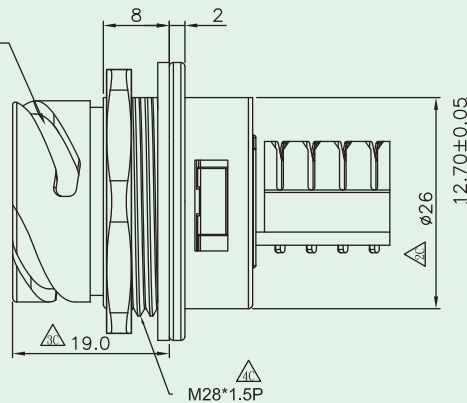
KINSUN



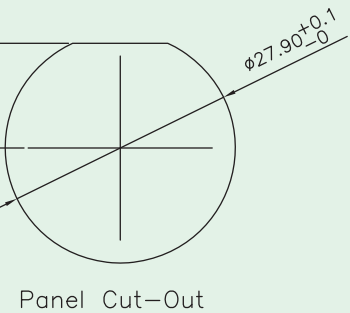
Panel Nut (M28*1.5p)



Bayonet Channel x3



M28*1.5P



Panel Cut-Out

Materials

- **Receptacle Housing** : Zn Alloy 3, Nickel Plated
- **Panel Nut** : Coper Alloy, Nickel Plated
- **Panel Gasket** : Sillon
- **RJ45 Jack Metal Shell** : Coper Alloy, Nickel Plated
- **RJ45 Jack Plastic Housing** : Engineering Thermoplastic Flammability Rating UL94 V-0
- **RJ45 Jack Contact** : Phosphor Bronze, finish : Gold over Nickel

Connector can be front mounted to a maximum panel thickness of 3.2mm.



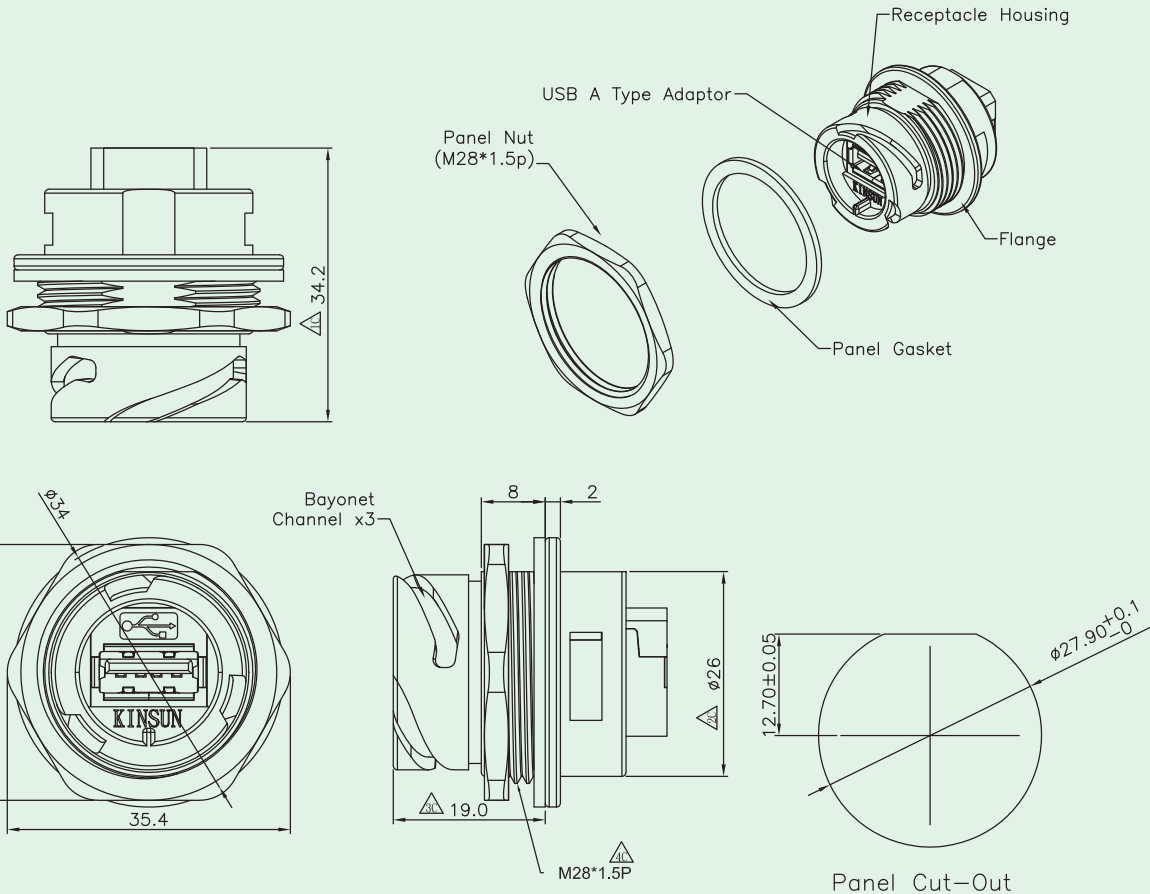
Ordering Information

3353H00040



Quick Locking Metal Waterproof USB/A Type Coupler

KINSUN



Materials

- **Receptacle Housing** : Zn Alloy 3, Nickel Plated
- **Panel Nut** : Coper Alloy, Nickel Plated
- **Panel Gasket** : Sillcon
- **USB CONN** : USB A Type
- **Contact** : Gold over Nickel

Connector can be front mounted to a maximum panel thickness of 3.2mm.



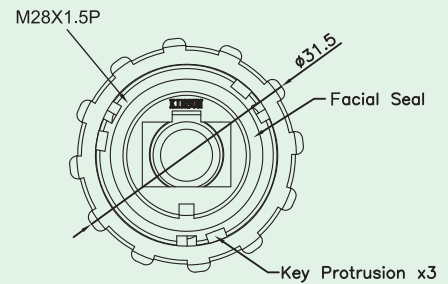
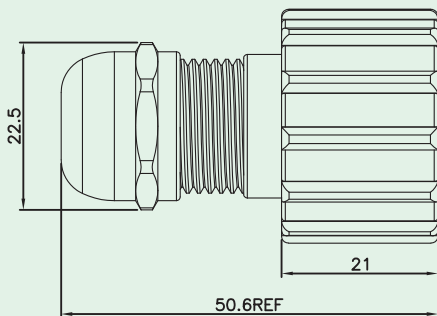
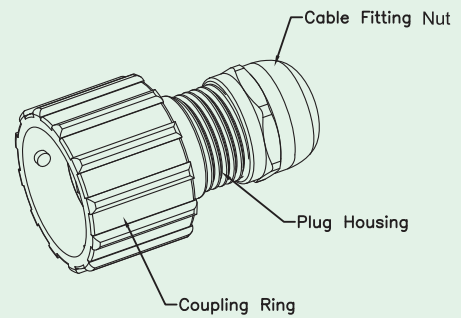
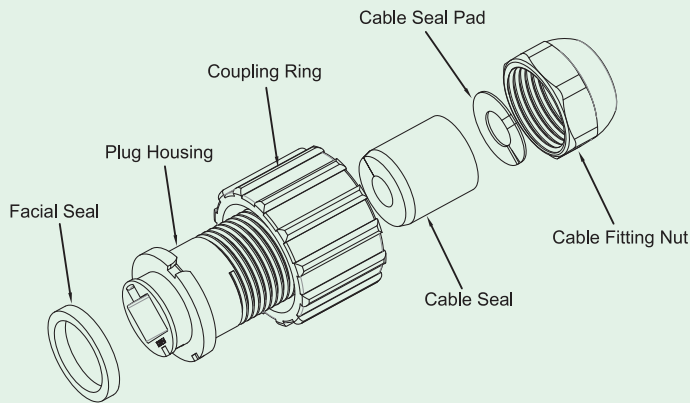
Ordering Information

3353K00030



Quick Locking Metal Waterproof Cable Side

KINSUN



Materials

NAME	SPECIFICATION	QTY	NOTE
Coupling Ring	Zn Alloy 3, Nickel Plated	1	
Plug Housing	Zn Alloy 3, Nickel Plated	1	
Cable Fitting Nut	Coper Alloy, Nickel Plated	1	
Facial Seal	Silicon, Red	1	
Cable Seal	Silicon, Red	1	
Cable Seal Pad	Teflon, White	1	



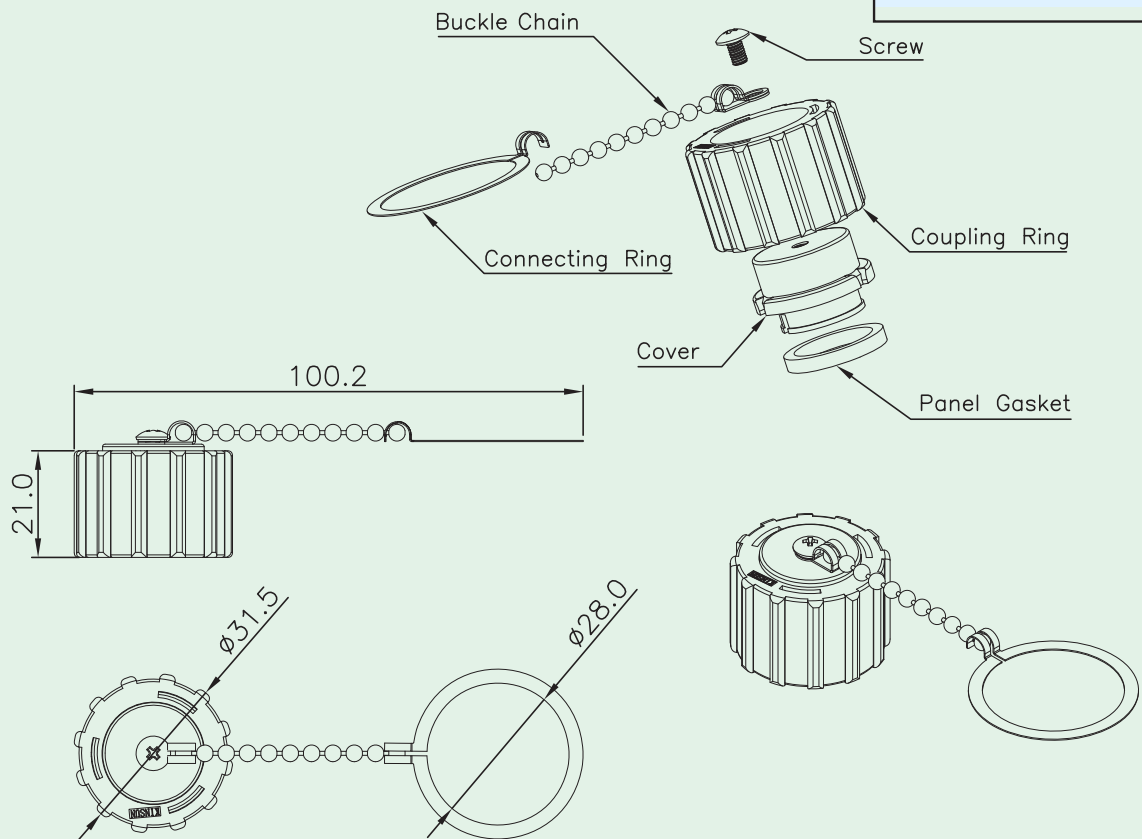
Ordering Information

3353L01000



Quick Locking Metal Waterproof Cap With Chain

KINSUN



Materials

NAME	SPECIFICATION	QTY
Connecting Ring	Stainless steel	1
Screw	Stainless steel	1
Buckle Chain	Stainless steel	1
Gasket	Silicon	1
Coupling Ring	Zn Alloy 3,Nickel Plated	1
Cover	Zn Alloy 3,Nickel Plated	1



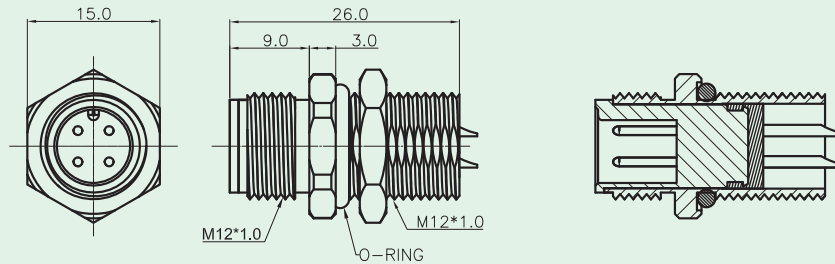
Ordering Information

3353A-02

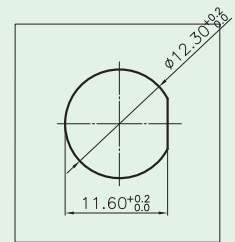
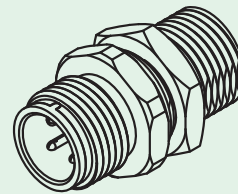


Waterproof M12 Male Rear Mount Solder Wire

KINSUN



Contacts	A-Coding	Rated Current/Voltage
2~5PIN		2~4PIN [4A/250V AC/DC] 5PIN [4A/60V AC/DC]
6~8PIN		2A/30V AC/DC
9~12PIN		1.5A/30V AC/DC
13~17PIN		1.5A/30V AC/DC



Panel Cut-out

Materials

- **Plastic Housing** : Engineering Thermoplastic.
Flammability Rating UL 94V-0.
- **Contacts** : Brass. Gold Over Nickel.
- **O-ring** : EPDM. Color : Black.
- **Shield** : Brass With Nickel Plated.
- **Panel Thickness** : 9.0mm Max.
- **Temperature Range** : -40°C ~ 85°C



Ordering Information

4001 X X X

A=Male
N=Female

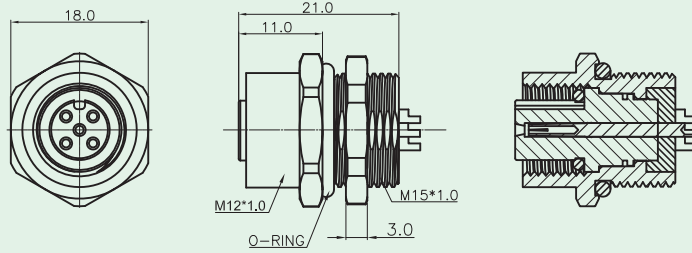
A=A Coding
D=D Coding

2=2 Pin
3=3 Pin
⋮
A=10 Pin
B=11 Pin
⋮

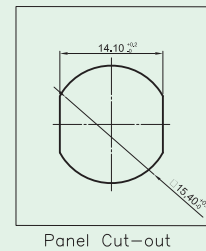
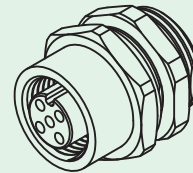
~45~



Waterproof M12 Female Rear Mount Solder Wire



Contacts	A-Coding	Rated Current/Voltage
2~5PIN		2~4PIN [4A/250V AC/DC] 5PIN [4A/60V AC/DC]
6~8PIN		2A/30V AC/DC
9~12PIN		1.5A/30V AC/DC
13~17PIN		1.5A/30V AC/DC



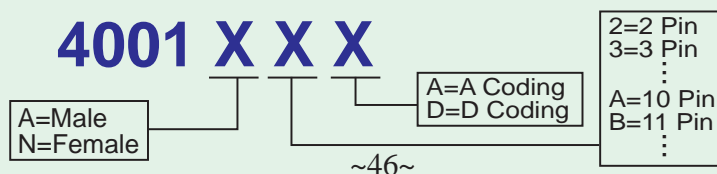
Panel Cut-out

Materials

- **Plastic Housing** : Engineering Thermoplastic.
Flammability Rating UL 94V-0.
- **Contacts** : Brass. Gold Over Nickel.
- **O-ring** : EPDM. Cold : Black.
- **Shield** : Bress With Nickel Plated.
- **Panel Thickness** : 5.0mm Max.
- **Temperature Range** : -40°C ~85°C



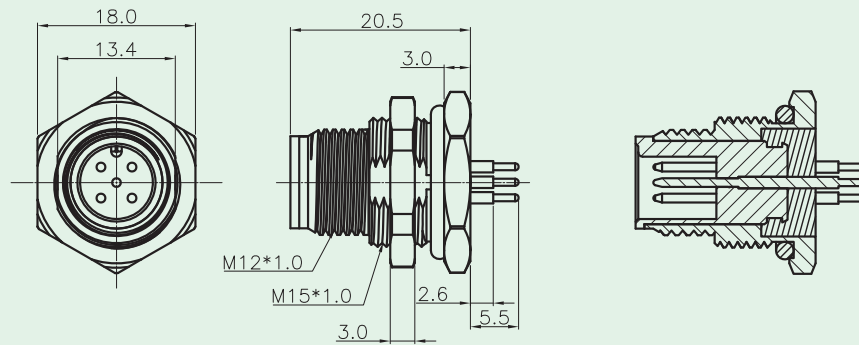
Ordering Information



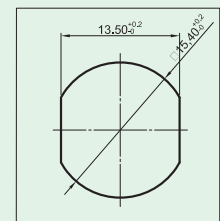
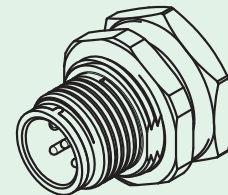


Waterproof M12 Male With M15 Front Mount Dip

KINSUN



Contacts	A-Coding	Rated Current/Voltage	PCB Layout
2~5PIN		2~4PIN [4A/250V AC/DC] 5PIN [4A/60V AC/DC]	
6~8PIN		2A/30V AC/DC	
9~12PIN		1.5A/30V AC/DC	
13~17PIN		1.5A/30V AC/DC	



Panel Cut-out

Materials

- **Plastic Housing** : Engineering Thermoplastic.
Flammability Rating UL 94V-0.
- **Contacts** : Brass. Gold Over Nickel.
- **O-ring** : EPDM. Cold : Black.
- **Shield** : Bress With Nickel Plated.
- **Panel Thickness** : 3.5mm Max(Without Chain).
- **Temperature Range** : -40°C ~85°C



Ordering Information

4002 X X X

A=Male
N=Female

A=A Coding
D=D Coding

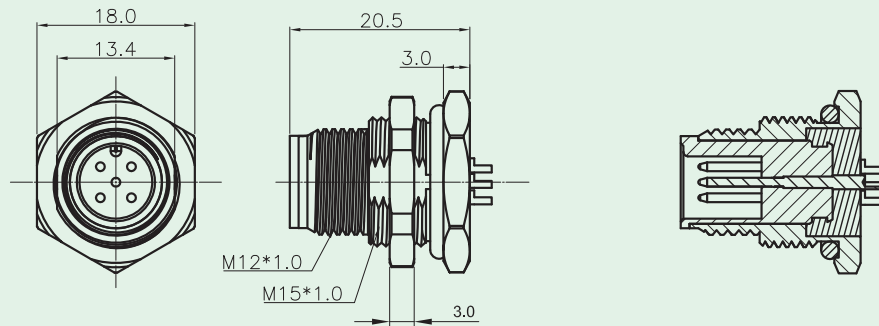
2=2 Pin
3=3 Pin
⋮
A=10 Pin
B=11 Pin
⋮

~47~

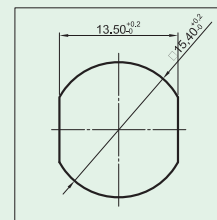
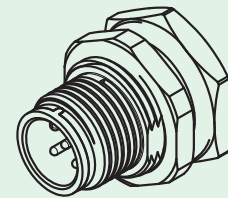


Waterproof M12 Male With M15 Front Mount Solder Wire

KINSUN



Contacts	A-Coding	Rated Current/Voltage
2~5PIN		2~4PIN [4A/250V AC/DC] 5PIN [4A/60V AC/DC]
6~8PIN		2A/30V AC/DC
9~12PIN		1.5A/30V AC/DC
13~17PIN		1.5A/30V AC/DC



Panel Cut-out

Materials

- **Plastic Housing** : Engineering Thermoplastic.
Flammability Rating UL 94V-0.
- **Contacts** : Brass. Gold Over Nickel.
- **O-ring** : EPDM. Color : Black.
- **Shield** : Brass With Nickel Plated.
- **Panel Thickness** : 3.5mm Max(Without Chain).
- **Temperature Range** : -40°C ~ 85°C



Ordering Information

4002 X X X

A=Male
N=Female

A=A Coding
D=D Coding

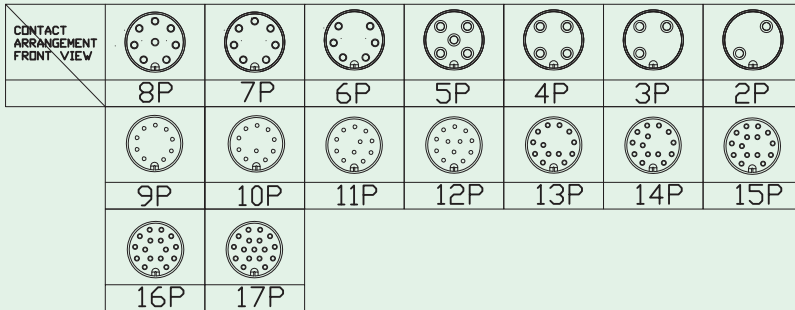
2=2 Pin
3=3 Pin
⋮
A=10 Pin
B=11 Pin
⋮

~48~

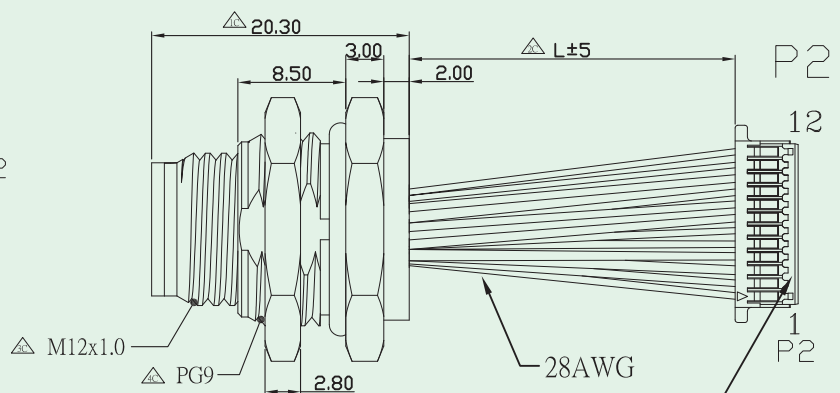
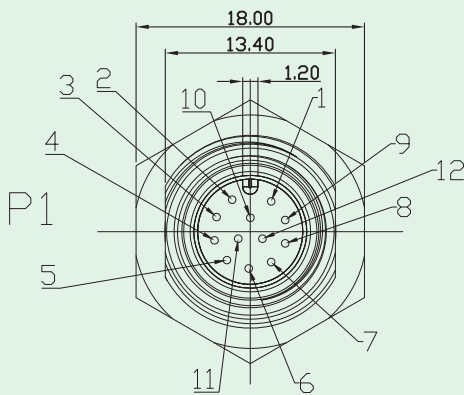


Waterproof M12 Male With PG9 Front Mount

KINSUN



P1線端	WIRE COLOR	P2線端
1	BLACK/WHITE	1
2	BROWN/WHITE	2
3	BLACK	3
4	GRAY	4
5	WHITE	5
6	BROWN	6
7	ORANGE	7
8	BLUE	8
9	YELLOW	9
10	GREEN	10
11	PURPLE	11
12	RED	12



L=30 P/N:4002B Series-030
L=60 P/N:4002B Series-060

Materials

- **Plastic Housing** : Engineering Thermoplastic
Flammability Rating UL 94V-0.
- **Contacts** : Copper Alloy.
- **Plating** : Gold Plating Over Nickel In Contact.
- **O-Ring** : Silicone Rubber Black Color.
- **Shield** : Brass With Nickel Plated.



Ratings and Characteristics

- **Waterproof Rate** : IP68
- **Current Rating** : 4A (2 to 5Pin) 2A (6 to 8Pin) 1.5A(9 to 17Pin)
- **Rated Voltage** : 250V AC/DC (2 to 4Pin)
60V AC/DC (5Pin) 30V AC/DC (6 to 8Pin)
30V AC/DC (9 to 12Pin) 30V AC/DC(13 to 17Pin)
- **Insulation Resistance** : $10^8 \Omega$ Min

Ordering Information

4002 B **W**

Series No. Description: Connector Type Wire length

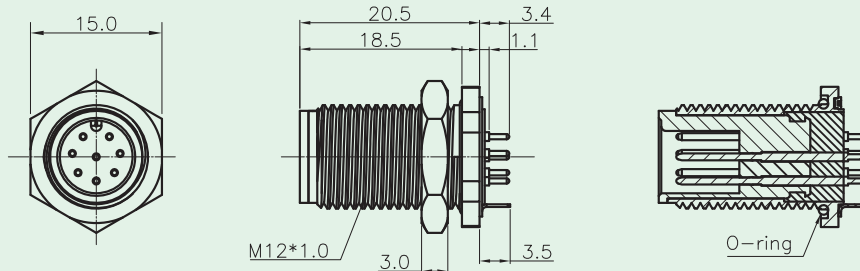
Female Panel mount:PG9 C=Cable Assembly W=Wire Harness S=For Wire Solder

2=2Pins	A=10Pins
3=3Pins	B=11Pins
4=4Pins	C=12Pins
5=5Pins	D=13Pins
6=6Pins	E=14Pins
7=7Pins	F=15Pins
8=8Pins	G=16Pins
9=9Pins	H=17Pins

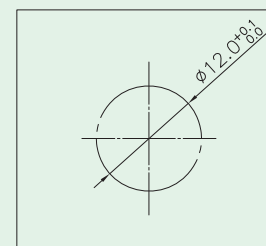
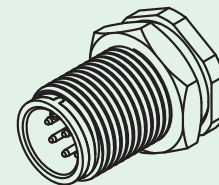


Waterproof M12 Male Front Mount Dip

KINSUN



Contacts	A-Coding	Rated Current/Voltage	PCB Layout
2~5PIN		2~4PIN [4A/250V AC/DC] 5PIN [4A/60V AC/DC]	
6~8PIN		2A/30V AC/DC	
9~12PIN		1.5A/30V AC/DC	
13~17PIN		1.5A/30V AC/DC	



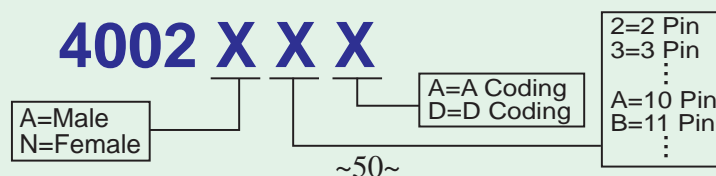
Panel Cut-out

Materials

- **Plastic Housing** : Engineering Thermoplastic.
Flammability Rating UL 94V-0.
- **Contacts** : Brass. Gold Over Nickel.
- **O-ring** : EPDM. Cold : Black.
- **Shield** : Bress With Nickel Plated.
- **Panel Thickness** : 4.5mm Max(Without Chain).
- **Temperature Range** : -40°C ~ 85°C



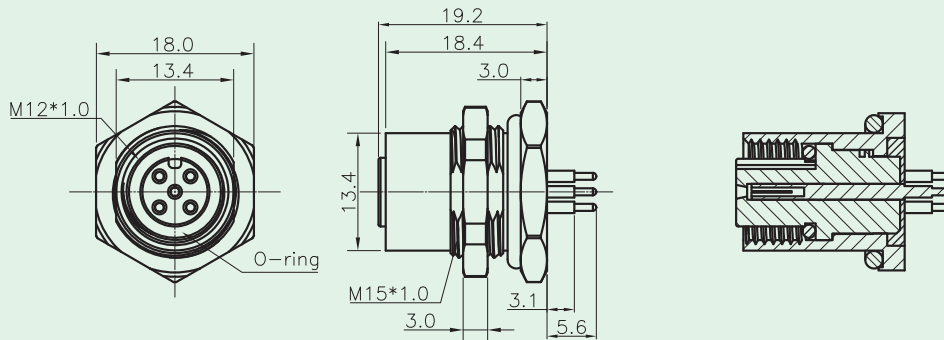
Ordering Information



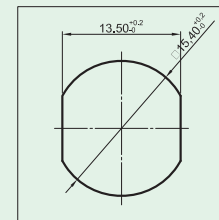
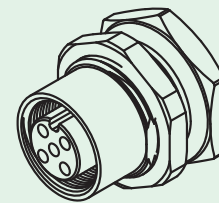


Waterproof M12 Female Front Mount Dip

KINSUN



Contacts	A-Coding	Rated Current/Voltage	PCB Layout
2~5PIN		2~4PIN [4A/250V AC/DC] 5PIN [4A/60V AC/DC]	
6~8PIN		2A/30V AC/DC	
9~12PIN		1.5A/30V AC/DC	
13~17PIN		1.5A/30V AC/DC	



Panel Cut-out

Materials

- **Plastic Housing** : Engineering Thermoplastic.
Flammability Rating UL 94V-0.
- **Contacts** : Brass. Gold Over Nickel.
- **O-ring** : EPDM. Cold : Black.
- **Shield** : Bress With Nickel Plated.
- **Panel Thickness** : 3.5mm Max(Without Chain).
- **Temperature Range** : -40°C ~ 85°C



Ordering Information

4002 X X X

A=Male
N=Female

A=A Coding
D=D Coding

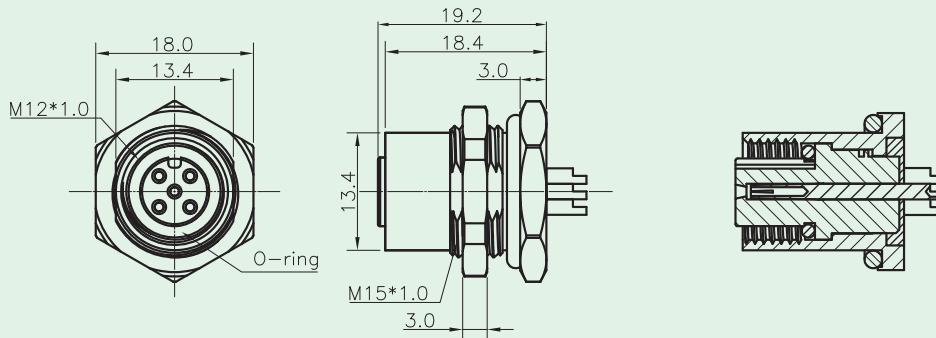
2=2 Pin
3=3 Pin
⋮
A=10 Pin
B=11 Pin
⋮

~51~

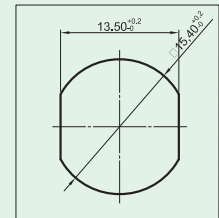
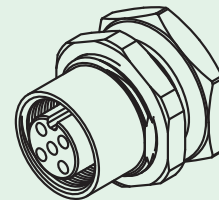


Waterproof M12 Female With M15 Front Mount Solder Wire

KINSUN



Contacts	A-Coding	Rated Current/Voltage
2~5PIN		2~4PIN [4A/250V AC/DC] 5PIN [4A/60V AC/DC]
6~8PIN		2A/30V AC/DC
9~12PIN		1.5A/30V AC/DC
13~17PIN		1.5A/30V AC/DC



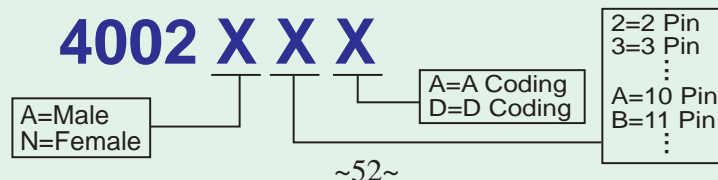
Panel Cut-out

Materials

- **Plastic Housing** : Engineering Thermoplastic.
Flammability Rating UL 94V-0.
- **Contacts** : Brass. Gold Over Nickel.
- **O-ring** : EPDM. Cold : Black.
- **Shield** : Bress With Nickel Plated.
- **Panel Thickness** : 3.5mm Max(Without Chain).
- **Temperature Range** : -40°C ~85°C



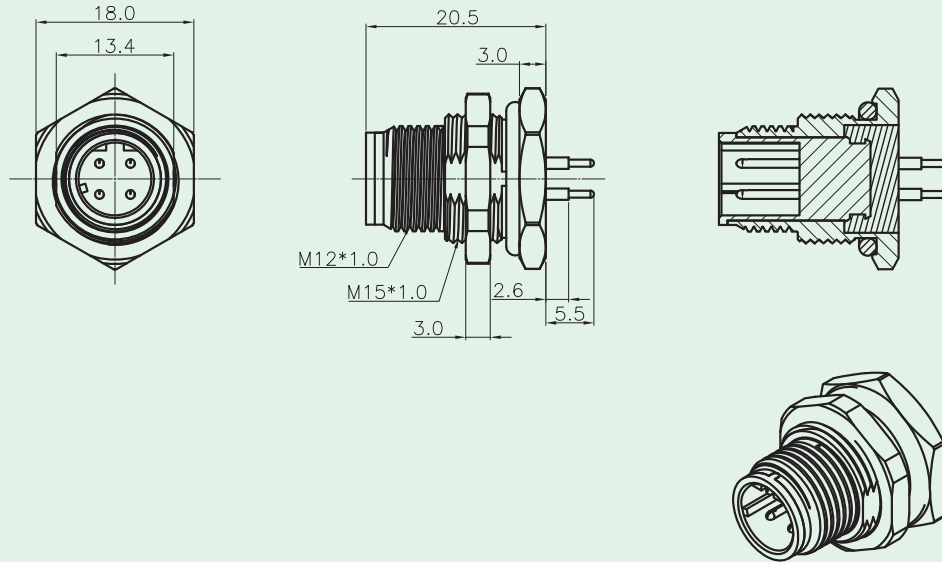
Ordering Information



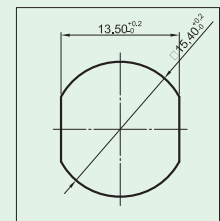


Waterproof M12 Male Front Mount Dip D-Coding

KINSUN



Contacts	D-Coding	Rated Current/Voltage	PCB Layout
4PIN		[4A/250V AC/DC]	



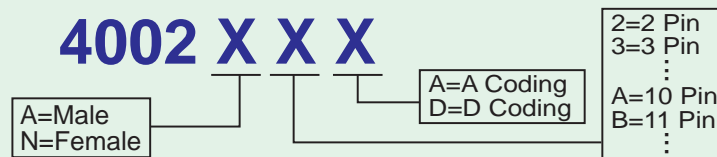
Panel Cut-out

Materials

- **Plastic Housing** : Engineering Thermoplastic.
Flammability Rating UL 94V-0.
- **Contacts** : Brass. Gold Over Nickel.
- **O-ring** : EPDM. Cold : Black.
- **Shield** : Bress With Nickel Plated.
- **Panel Thickness** : 3.5mm Max(Without Chain).
- **Temperature Range** : -40°C ~ 85°C



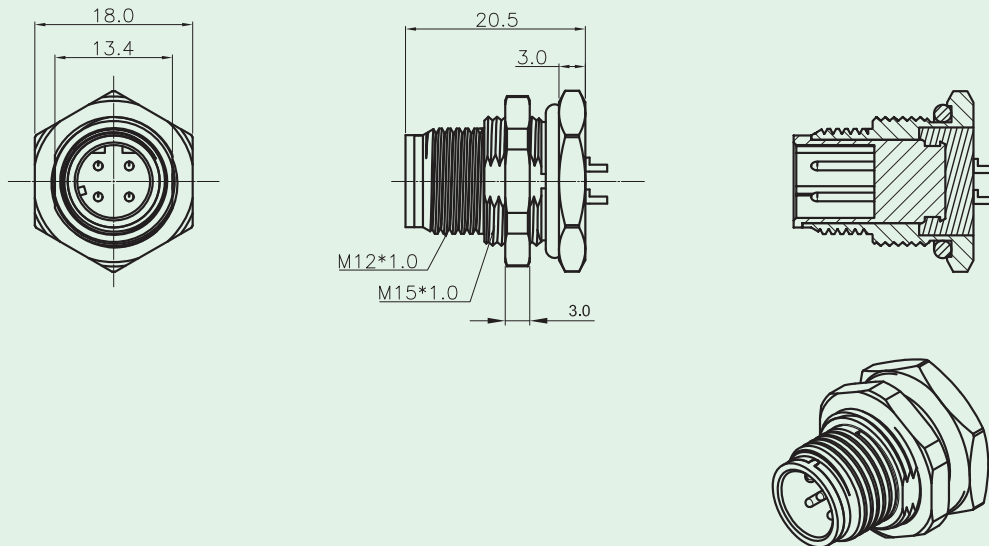
Ordering Information



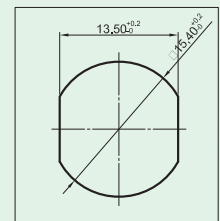


Waterproof M12 Male Front Mount Solder Wire D-Coding

KINSUN



Contacts	D-Coding	Rated Current/Voltage
4PIN		[4A/250V AC/DC]



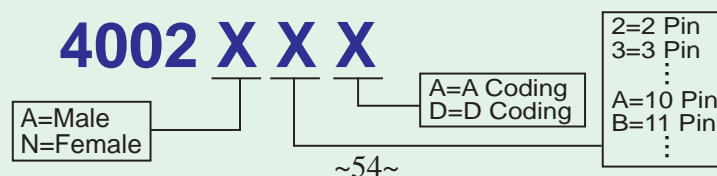
Panel Cut-out

Materials

- **Plastic Housing** : Engineering Thermoplastic.
Flammability Rating UL 94V-0.
- **Contacts** : Brass. Gold Over Nickel.
- **O-ring** : EPDM. Cold : Black.
- **Shield** : Bress With Nickel Plated.
- **Panel Thickness** : 3.5mm Max(Without Chain).
- **Temperature Range** : -40°C ~ 85°C



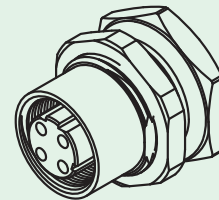
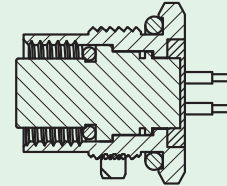
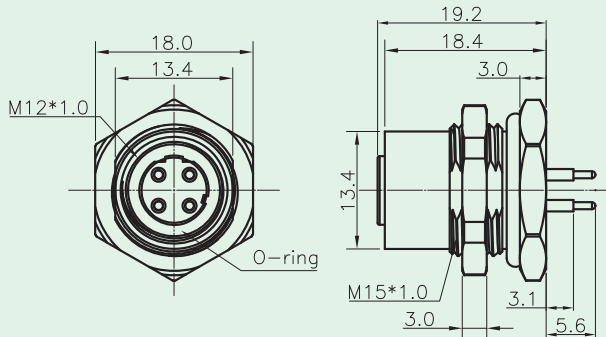
Ordering Information



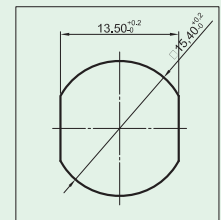


Waterproof M12 Female Front Mount Dip D-Coding

KINSUN



Contacts	D-Coding	Rated Current/Voltage	PCB Layout
4PIN		[4A/250V AC/DC]	



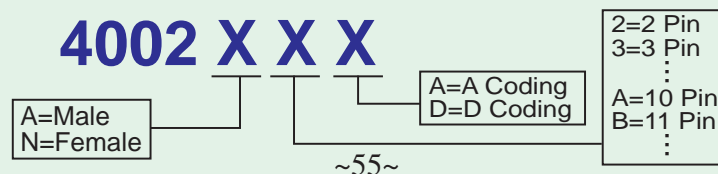
Panel Cut-out

Materials

- **Plastic Housing** : Engineering Thermoplastic.
Flammability Rating UL 94V-0.
- **Contacts** : Brass. Gold Over Nickel.
- **O-ring** : EPDM. Cold : Black.
- **Shield** : Bress With Nickel Plated.
- **Panel Thickness** : 3.5mm Max(Without Chain).
- **Temperature Range** : -40°C ~ 85°C



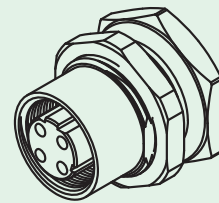
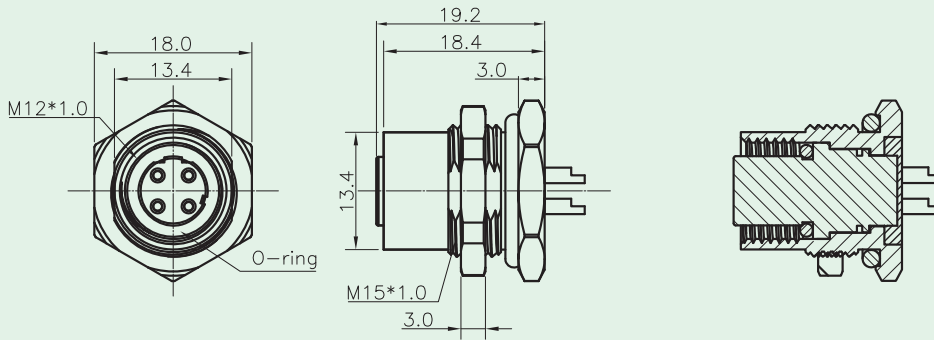
Ordering Information



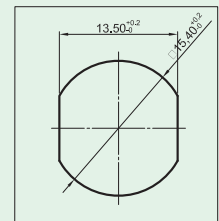


Waterproof M12 Female Front Mount Solder Wire D-Coding

KINSUN



Contacts	D-Coding	Rated Current/Voltage
4PIN		[4A/250V AC/DC]



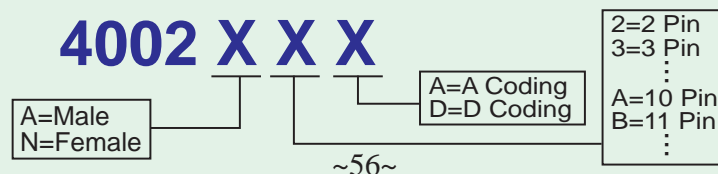
Panel Cut-out

Materials

- **Plastic Housing** : Engineering Thermoplastic.
Flammability Rating UL 94V-0.
- **Contacts** : Brass. Gold Over Nickel.
- **O-ring** : EPDM. Cold : Black.
- **Shield** : Bress With Nickel Plated.
- **Panel Thickness** : 3.5mm Max(Without Chain).
- **Temperature Range** : -40°C ~ 85°C



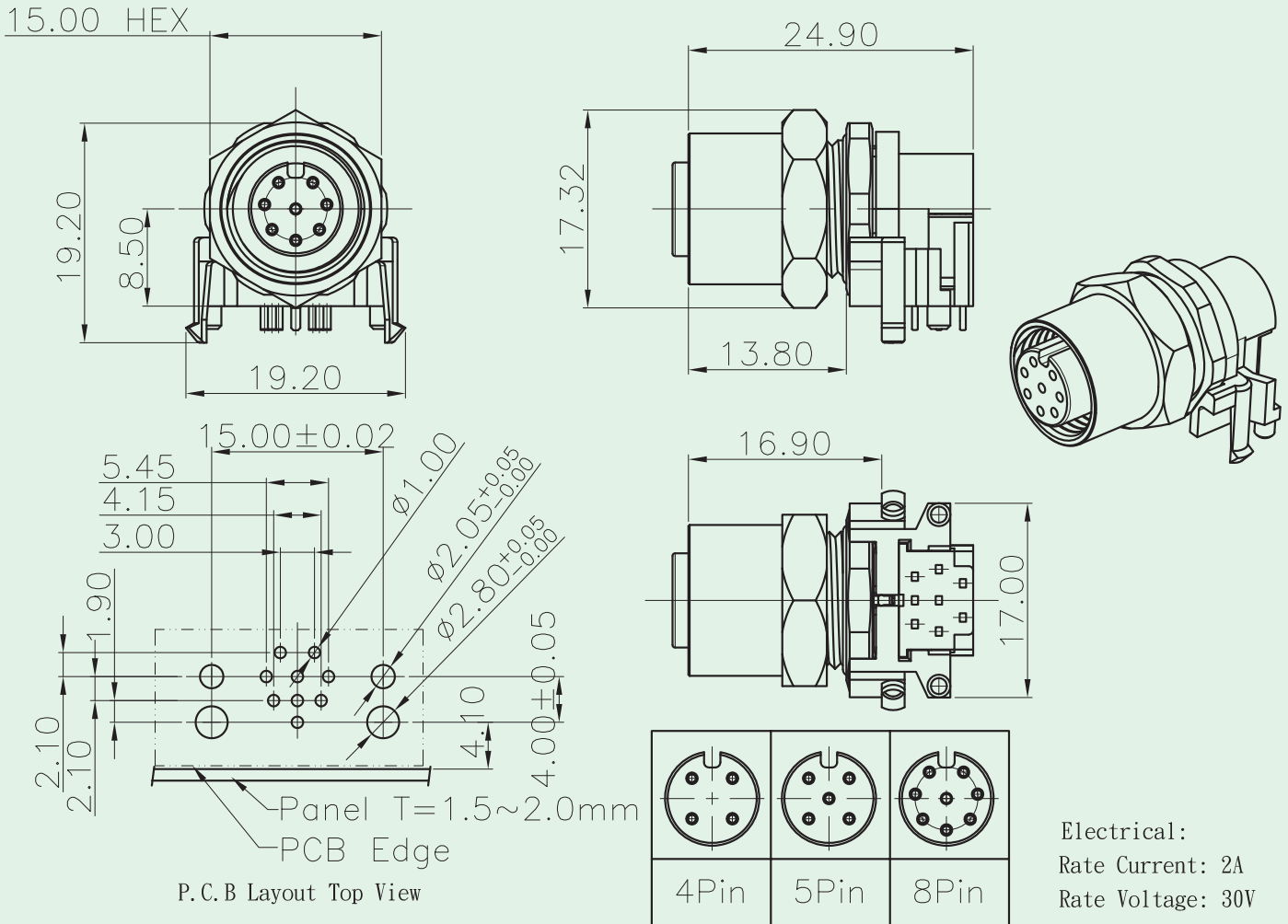
Ordering Information





M12 8 Pos Female Connect (A-Code Right Angle)

KINSUN



Materials

- **Plastic Housing** : Housing Engineering Thermoplastic.
Flammability Rating UL 94V-0.
- **Contacts** : Phosphor.
- **Plating** : Au Plating Over Nickel Contact.



Ordering Information

Series No. **4002** -

Styles of Fixed Right Angle Type

No of Concats
4pin/5pin/8pin

Gold Plating Options
Gold Flash = 0 30u" = 3
6u" = 1 50u" = 4
15u" = 2 50u" = 4

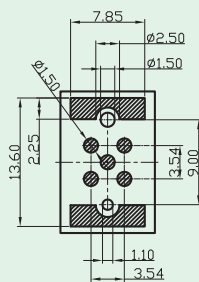
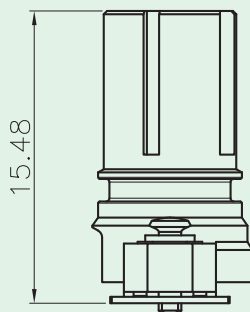
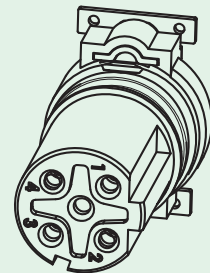
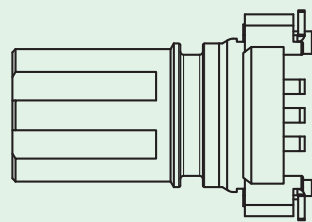
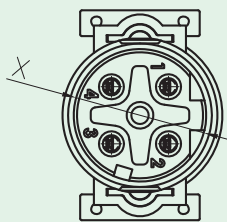
~57~



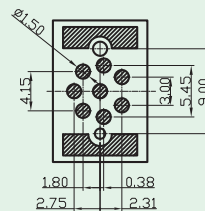
M12 Circular Connector (Female/SMT)

KINSUN

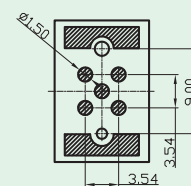
Coded	A-Coded		B-Coded	D-Coded
	X:∅8.3		X:∅8.3	X:∅8.2
Pin assignment (front view)				
	4~5-pos.	6~8-pos.	4-pos.	4-pos.
Rated voltage	4P:250V; 5P:60V	30V	60V	250V
Nominal current	4A	2A	4A	4A



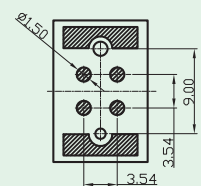
A-CODING



A-CODING



B-CODING



D-CODING

PCB Layout

Materials

- **Plastic Housing** : High Temp. Thermoplastic
Flammability Rating UL 94V-0
- **Contacts** : Phosphor bronze
- **Rated current** : According to the form
- **Rated voltage** : According to the form
- **Insulation resistance** : $10^8 \Omega \text{ Min}$



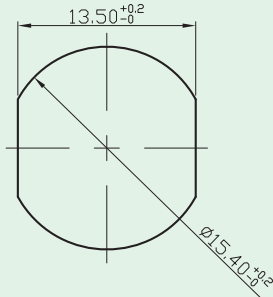
Ordering Information

M12 SMT Series

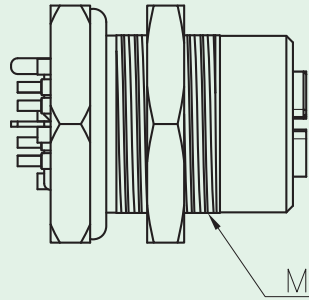


Waterproof Circular Connector (M12 X-Code 8P Female)

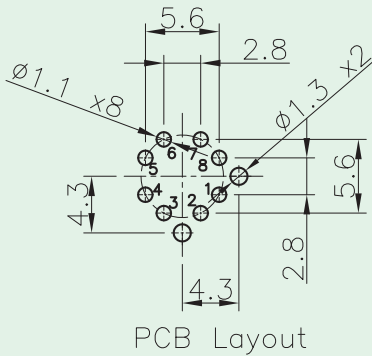
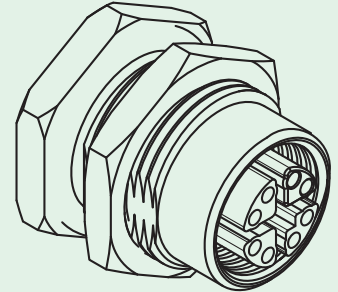
KINSUN



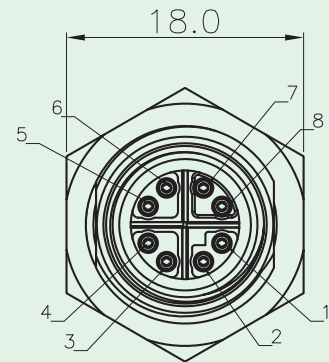
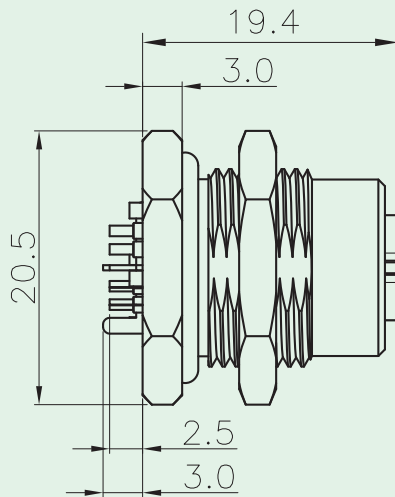
Panel Cut-out



M15*1P



PCB Layout



Materials

- **Housing** : Brass Plating Nickel Over All.
 - **Contacts** : Gold Plating Over Nickel In Contact.
 - **Nut** : Brass Plating Nickel Over All.
 - **O-ring(Outside)** : EPDM.
 - **O-ring(Inner)** : NBR.
 - **Panel Thickness** : 1.5~4.0mm.
 - **PCB Thickness** : 1.2mm Max.
 - **Specifications** :
1. Poles : 8.
 2. Rated Voltage : 48V.
 3. Rated Current : 0.5A.
 4. Contact Resistance : <15mΩ.
 5. Insulation Resistance : >100MΩ.
 6. Temperature Range : -40°C~85°C.
 7. Transmission Performance(Category) : Cat 6A.



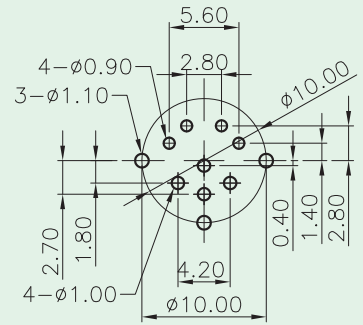
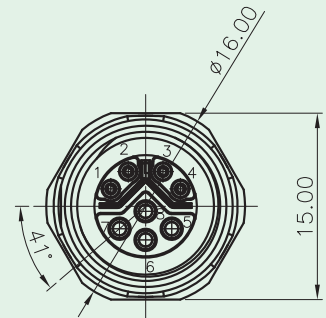
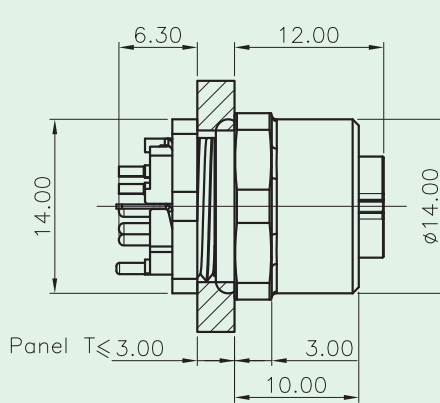
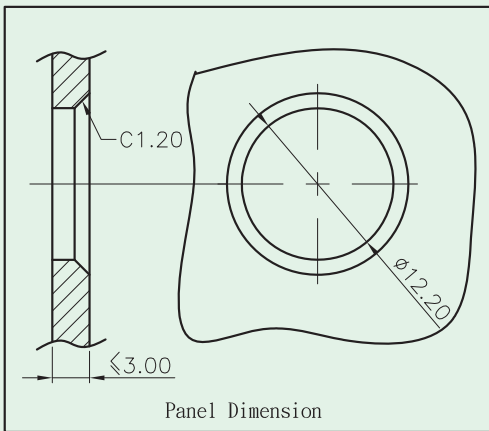
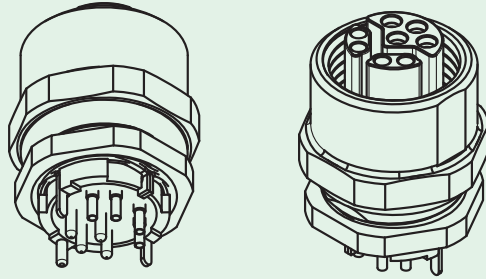
Ordering Information

4003N80400



M12 Y-Code 8-Pos DIP Connect (Y-Hybrid Etherent CAT5/Power)

KINSUN



P. C. B Layout Top View

Glue			
O-Ring	EPDM		2
5~8 Terminals	Brass	Gold Ptd.	4
1~4 Terminals	Phosphor	Gold Ptd.	4
Shield Cover	Brass	Nickel Ptd.	1
Housing	PBT		1
Description	Material	Treat	Q'ty

Electrical:
 Rate Current: 0.5A (Data)
 Rate Current: 6.0A (Power)
 Rate Voltage: 30V

Materials

- **Plastic Housing** : Engineering Thermoplastic
Flammability Rating UL 94V-0.
- **Contacts** : Phosphor/Brass
- **Plating** : Au Plating Over Nickel In Contact.



Ordering Information

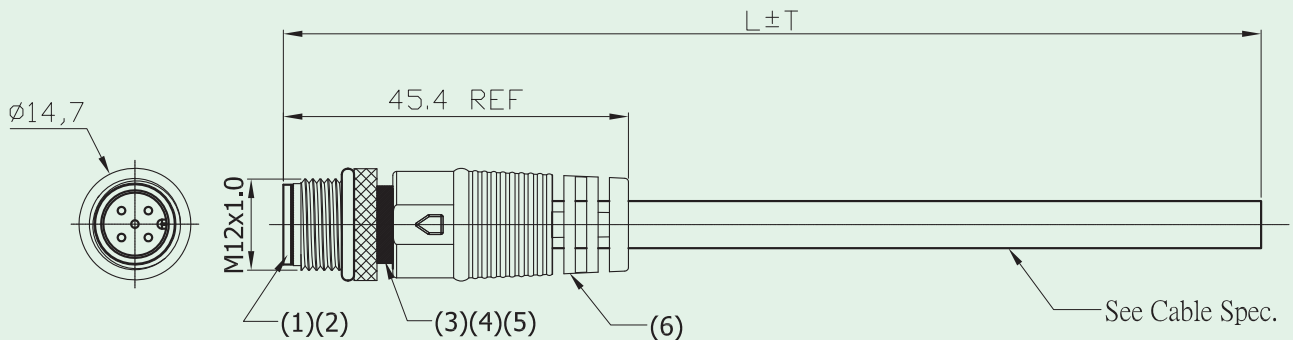
4004 - Series

Series No.



Waterproof M12 Male Straight With Cable

KINSUN



Contacts	A-Coding	Cable Spec.	Rated Current /Voltage
2~5PIN		UL2517 105°C 300V 22AWG*5C+A.E.B PVC Jacket OD=6.0 [Wire Color : 1.Brown 2.White 3.Blue 4.Black 5.Green]	2~4PIN [4A/250V AC/DC] 5PIN [4A/60V AC/DC]
6~8PIN		UL2517 105°C 300V 24AWG*8C+A.E.B PVC Jacket OD=6.3 [Wire Color : 1.Purple 2.Blue 3.Green 4.Yellow 5.Orange 6.Red 7.Brown 8.Black]	2A/30V AC/DC
9~12PIN		UL2517 105°C 300V 28AWG*12C+A.E.B PVC Jacket OD=7.4 [Wire Color : 1.Light Blue 2.Pink 3.White 4.Gray 5.Purple 6.Blue 7.Green 8.Yellow 9.Orange 10.Red 11.Brown 12.Black]	1.5A/30V AC/DC
13~17PIN		UL2517 105°C 300V 28AWG*17C+A.E.B PVC Jacket OD=8.4 [Wire Color : 1.White/Orange 2.White/Red 3.White/Brown 4.White/Black 5.Light Green 6.Light Blue 7.Pink 8.White 9.Gray 10.Purple 11.Blue 12.Green 13.Yellow 14.Orange 15.Red 16.Brown 17.Black]	1.5A/30V AC/DC

Materials

- **Plastic Housing** : Engineering Thermoplastic.
Flammability Rating UL 94V-0. Color Black
- **Contacts** : Copper Alloy with Gold Plating Over Nickel In Contact.
- **Grounding Metal** : Brass With Nickel Plated.
- **O-Ring** : EPDM Rubber Black Color.
- **Coupling Nut** : Brass With Nickel Plated.
- **Over Mold** : TPU Black Color



Ordering Information

4006 X X X - XXXX

A=Male 180°
L=Male 90°
N=Female 180°
R=Female 90°

Wire Length

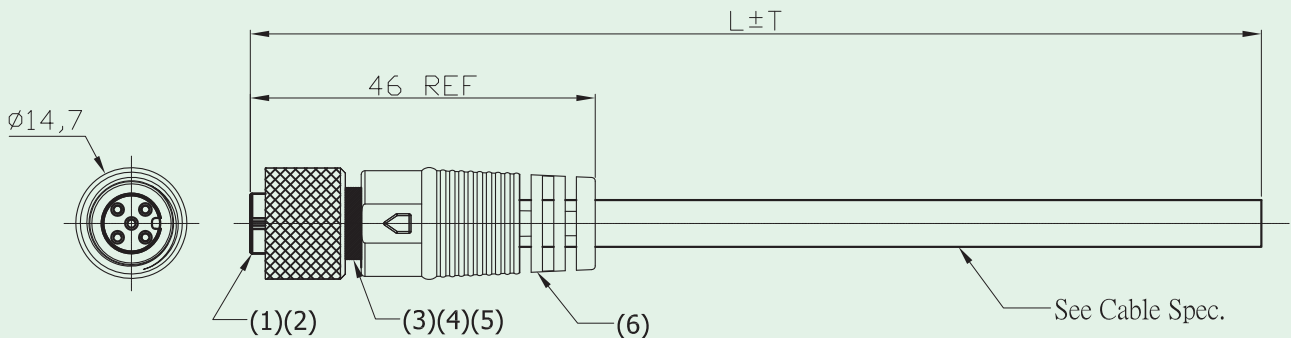
A=A Coding
D=D Coding

2=2 Pin
3=3 Pin
⋮
A=10 Pin
B=11 Pin
⋮



Waterproof M12 Female Straight With Cable

KINSUN



Contacts	A-Coding	Cable Spec.	Rated Current /Voltage
2~5PIN		UL2517 105°C 300V 22AWG*5C+A.E.B PVC Jacket OD=6.0 [Wire Color : 1.Brown 2.White 3.Blue 4.Black 5.Green]	2~4PIN [4A/250V AC/DC] 5PIN [4A/60V AC/DC]
6~8PIN		UL2517 105°C 300V 24AWG*8C+A.E.B PVC Jacket OD=6.3 [Wire Color : 1.Purple 2.Blue 3.Green 4.Yellow 5.Orange 6.Red 7.Brown 8.Black]	2A/30V AC/DC
9~12PIN		UL2517 105°C 300V 28AWG*12C+A.E.B PVC Jacket OD=7.4 [Wire Color : 1.Light Blue 2.Pink 3.White 4.Gray 5.Purple 6.Blue 7.Green 8.Yellow 9.Orange 10.Red 11.Brown 12.Black]	1.5A/30V AC/DC
13~17PIN		UL2517 105°C 300V 28AWG*17C+A.E.B PVC Jacket OD=8.4 [Wire Color : 1.White/Orange 2.White/Red 3.White/Brown 4.White/Black 5.Light Green 6.Light Blue 7.Pink 8.White 9.Gray 10.Purple 11.Blue 12.Green 13.Yellow 14.Orange 15.Red 16.Brown 17.Black]	1.5A/30V AC/DC

Materials

- **Plastic Housing** : Engineering Thermoplastic.
Flammability Rating UL 94V-0. Color Black
- **Contacts** : Copper Alloy with Gold Plating Over Nickel In Contact.
- **Grounding Metal** : Brass With Nickel Plated.
- **O-Ring** : EPDM Rubber Black Color.
- **Coupling Nut** : Brass With Nickel Plated.
- **Over Mold** : TPU Black Color



Ordering Information

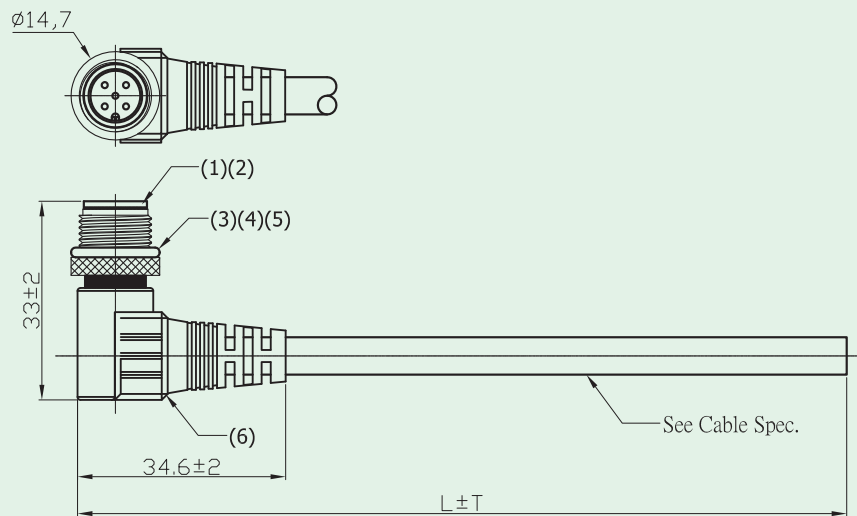
4006 X X X - XXXX

A=Male 180° L=Male 90° N=Female 180° R=Female 90°	Wire Length	A=A Coding D=D Coding	2=2 Pin 3=3 Pin ⋮ A=10 Pin B=11 Pin ⋮
--	-------------	--------------------------	--



Waterproof M12 Male Right Angle With Cable

KINSUN



Contacts	A-Coding	Cable Spec.	Rated Current /Voltage
2~5PIN		UL2517 105°C 300V 22AWG*5C+A,E,B PVC Jacket OD=6,0 [Wire Color : 1.Brown 2.White 3.Blue 4.Black 5.Green]	2~4PIN [4A/250V AC/DC] 5PIN [4A/60V AC/DC]
6~8PIN		UL2517 105°C 300V 24AWG*8C+A,E,B PVC Jacket OD=6,3 [Wire Color : 1.Purple 2.Blue 3.Green 4.Yellow 5.Orange 6.Red 7.Brown 8.Black]	2A/30V AC/DC
9~12PIN		UL2517 105°C 300V 28AWG*12C+A,E,B PVC Jacket OD=7,4 [Wire Color : 1.Light Blue 2.Pink 3.White 4.Gray 5.Purple 6.Blue 7.Green 8.Yellow 9.Orange 10.Red 11.Brown 12.Black]	1.5A/30V AC/DC
13~17PIN		UL2517 105°C 300V 28AWG*17C+A,E,B PVC Jacket OD=8,4 [Wire Color : 1.White/Orange 2.White/Red 3.White/Brown 4.White/Black 5.Light Green 6.Light Blue 7.Pink 8.White 9.Gray 10.Purple 11.Blue 12.Green 13.Yellow 14.Orange 15.Red 16.Brown 17.Black]	1.5A/30V AC/DC

Materials

- **Plastic Housing** : Engineering Thermoplastic.
Flammability Rating UL 94V-0. Color Black
- **Contacts** : Copper Alloy with Gold Plating Over Nickel In Contact.
- **Grounding Metal** : Brass With Nickel Plated.
- **O-Ring** : EPDM Rubber Black Color.
- **Coupling Nut** : Brass With Nickel Plated.
- **Over Mold** : TPU Black Color



Ordering Information

A=Male 180°
L=Male 90°
N=Female 180°
R=Female 90°

4006 X X X - XXXX

Wire Length

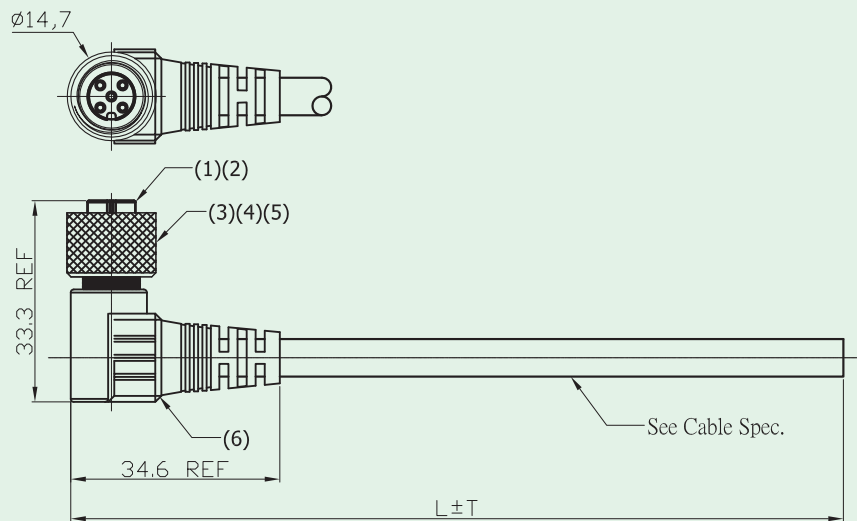
A=A Coding
D=D Coding

2=2 Pin
3=3 Pin
⋮
A=10 Pin
B=11 Pin
⋮



Waterproof M12 Female Right Angle With Cable

KINSUN



Contacts	A-Coding	Cable Spec.	Rated Current /Voltage
2-5PIN		UL2517 105°C 300V 22AWG*5C+A.E.B PVC Jacket OD=6.0 [Wire Color : 1.Brown 2.White 3.Blue 4.Black 5.Green]	2~4PIN [4A/250V AC/DC] 5PIN [4A/60V AC/DC]
6-8PIN		UL2517 105°C 300V 24AWG*8C+A.E.B PVC Jacket OD=6.3 [Wire Color : 1.Purple 2.Blue 3.Green 4.Yellow 5.Orange 6.Red 7.Brown 8.Black]	2A/30V AC/DC
9-12PIN		UL2517 105°C 300V 28AWG*12C+A.E.B PVC Jacket OD=7.4 [Wire Color : 1.Light Blue 2.Pink 3.White 4.Gray 5.Purple 6.Blue 7.Green 8.Yellow 9.Orange 10.Red 11.Brown 12.Black]	1.5A/30V AC/DC
13-17PIN		UL2517 105°C 300V 28AWG*17C+A.E.B PVC Jacket OD=8.4 [Wire Color : 1.White/Orange 2.White/Red 3.White/Brown 4.White/Black 5.Light Green 6.Light Blue 7.Pink 8.White 9.Gray 10.Purple 11.Blue 12.Green 13.Yellow 14.Orange 15.Red 16.Brown 17.Black]	1.5A/30V AC/DC

Materials

- **Plastic Housing** : Engineering Thermoplastic.
Flammability Rating UL 94V-0. Color Black
- **Contacts** : Copper Alloy with Gold Plating Over Nickel In Contact.
- **Grounding Metal** : Brass With Nickel Plated.
- **O-Ring** : EPDM Rubber Black Color.
- **Coupling Nut** : Brass With Nickel Plated.
- **Over Mold** : TPU Black Color



Ordering Information

A=Male 180°
L=Male 90°
N=Female 180°
R=Female 90°

4006 X X X - XXXX

Wire Length

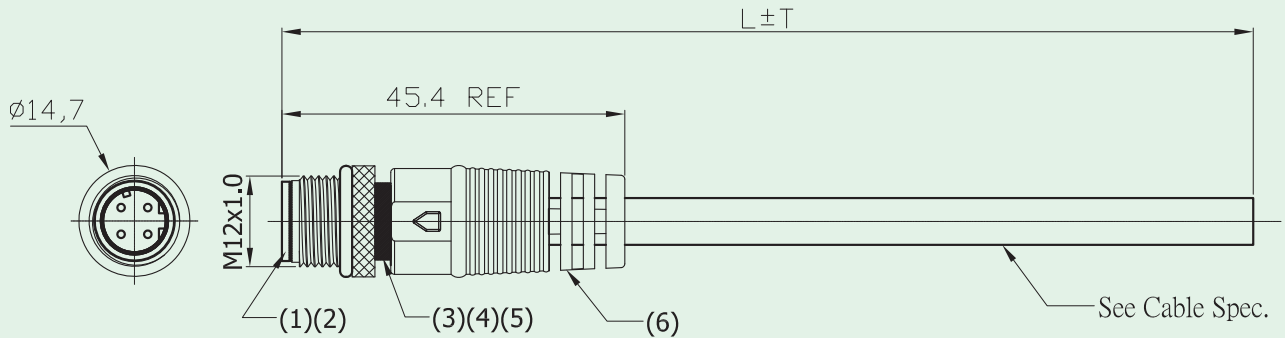
A=A Coding
D=D Coding

2=2 Pin
3=3 Pin
⋮
A=10 Pin
B=11 Pin
⋮



Waterproof M12 Male Straight With Cable D-Coding

KINSUN



Contacts	D-Coding	Cable Spec.	Rated Current /Voltage
4PIN		UL2517 105°C 300V 22AWG*4C+A.E.B PVC Jacket OD=6.0 [Wire Color : 1.Brown 2.White 3.Blue 4.Black]	4A/250V AC/DC

Materials

- **Plastic Housing** : Engineering Thermoplastic.
Flammability Rating UL 94V-0. Color Black
- **Contacts** : Copper Alloy with Gold Plating Over Nickel In Contact.
- **Grounding Metal** : Brass With Nickel Plated.
- **O-Ring** : EPDM Rubber Black Color.
- **Coupling Nut** : Brass With Nickel Plated.
- **Over Mold** : TPU Black Color



Ordering Information

A=Male 180°
L=Male 90°
N=Female 180°
R=Female 90°

4006 X X X - XXXX

Wire Length

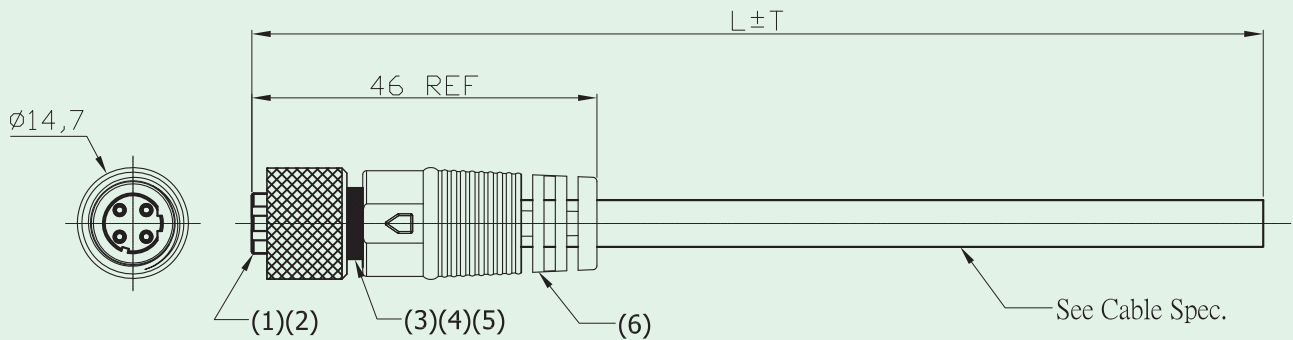
A=A Coding
D=D Coding

2=2 Pin
3=3 Pin
⋮
A=10 Pin
B=11 Pin
⋮



Waterproof M12 Female Straight With Cable D-Coding

KINSUN



Contacts	D-Coding	Cable Spec.	Rated Current /Voltage
4PIN		UL2517 105°C 300V 22AWG*5C+A.E.B PVC Jacket OD=6.0 [Wire Color : 1.Brown 2.White 3.Blue 4.Black 5.Green]	4A/250V AC/DC

Materials

- **Plastic Housing** : Engineering Thermoplastic.
Flammability Rating UL 94V-0. Color Black
- **Contacts** : Copper Alloy with Gold Plating Over Nickel In Contact.
- **Grounding Metal** : Brass With Nickel Plated.
- **O-Ring** : EPDM Rubber Black Color.
- **Coupling Nut** : Brass With Nickel Plated.
- **Over Mold** : TPU Black Color



Ordering Information

A=Male 180°
L=Male 90°
N=Female 180°
R=Female 90°
4006 X X X - XXXX
Wire Length
A=A Coding
D=D Coding

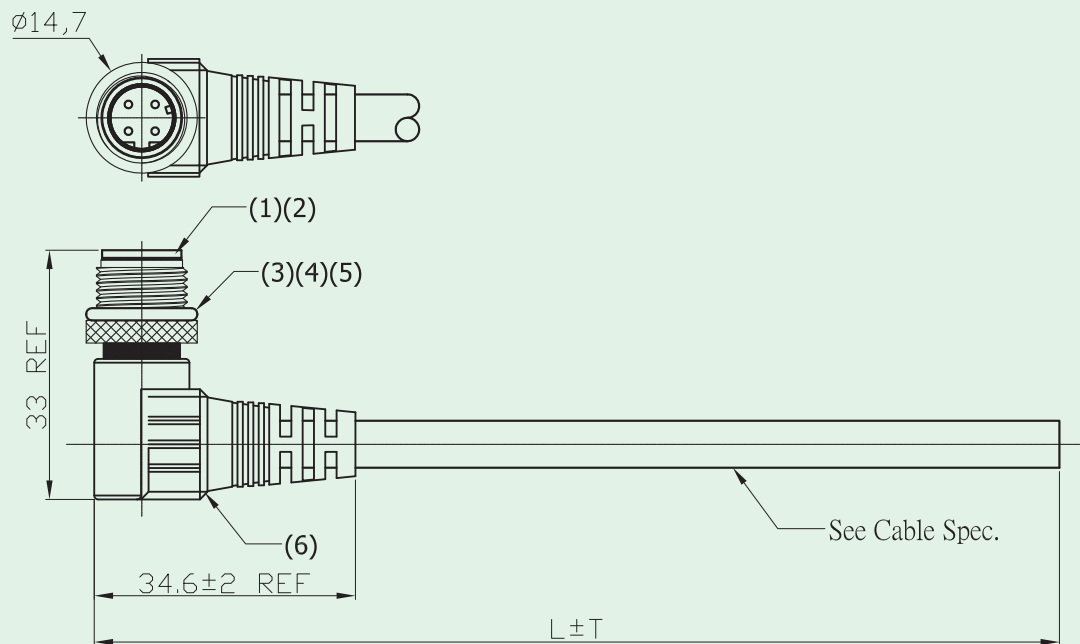
 2=2 Pin
 3=3 Pin
 ...
 A=10 Pin
 B=11 Pin
 ...

~66~



Waterproof M12 Male Right Angle With Cable D-Coding

KINSUN



Contacts	D-Coding	Cable Spec.	Rated Current /Voltage
4PIN		UL2517 105°C 300V 22AWG*4C+A.E.B PVC Jacket OD=6.0 [Wire Color : 1.Brown 2.White 3.Blue 4.Black]	4A/250V AC/DC

Materials

- **Plastic Housing** : Engineering Thermoplastic.
Flammability Rating UL 94V-0. Color Black
- **Contacts** : Copper Alloy with Gold Plating Over Nickel In Contact.
- **Grounding Metal** : Brass With Nickel Plated.
- **O-Ring** : EPDM Rubber Black Color.
- **Coupling Nut** : Brass With Nickel Plated.
- **Over Mold** : TPU Black Color



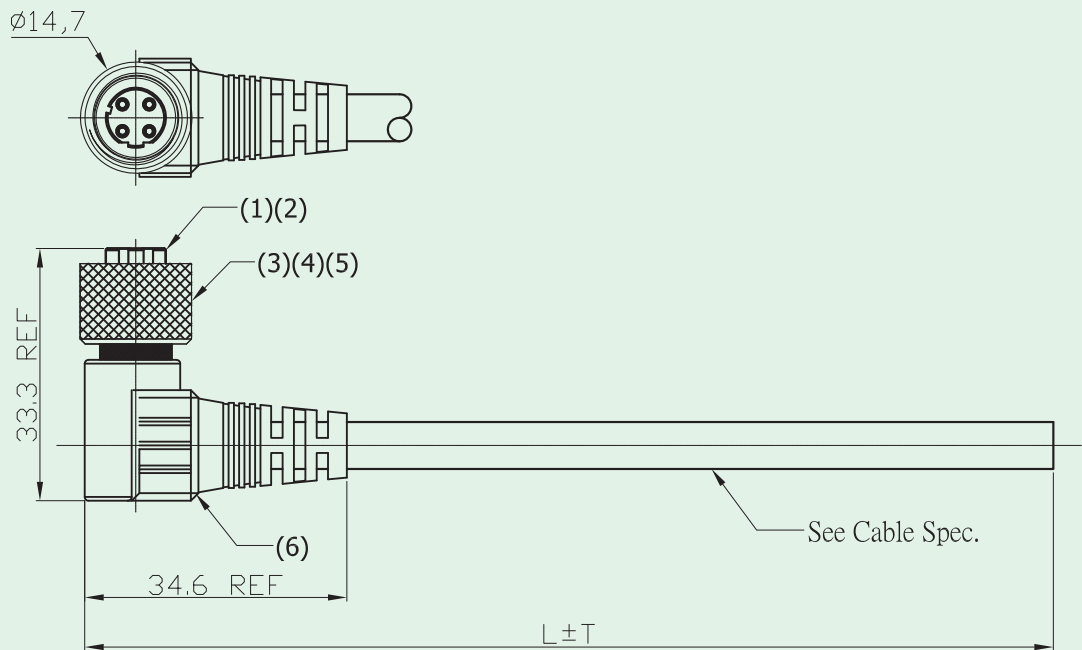
Ordering Information

A=Male 180°
L=Male 90°
N=Female 180°
R=Female 90°
4006 X X X - XXXX
Wire Length
A=A Coding
D=D Coding
2=2 Pin
3=3 Pin
⋮
A=10 Pin
B=11 Pin
⋮



Waterproof M12 Female Right Angle With Cable D-Coding

KINSUN



Contacts	D-Coding	Cable Spec.	Rated Current /Voltage
4PIN		UL2517 105°C 300V 22AWG*5C+A.E.B PVC Jacket OD=6.0 [Wire Color : 1.Brown 2.White 3.Blue 4.Black 5.Green]	4A/250V AC/DC

Materials

- **Plastic Housing** : Engineering Thermoplastic.
Flammability Rating UL 94V-0. Color Black
- **Contacts** : Copper Alloy with Gold Plating Over Nickel In Contact.
- **Grounding Metal** : Brass With Nickel Plated.
- **O-Ring** : EPDM Rubber Black Color.
- **Coupling Nut** : Brass With Nickel Plated.
- **Over Mold** : TPU Black Color



Ordering Information

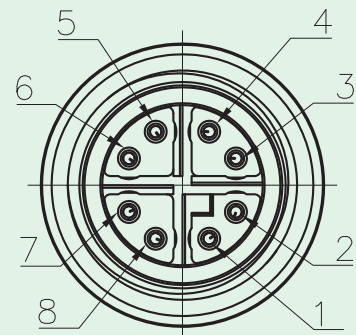
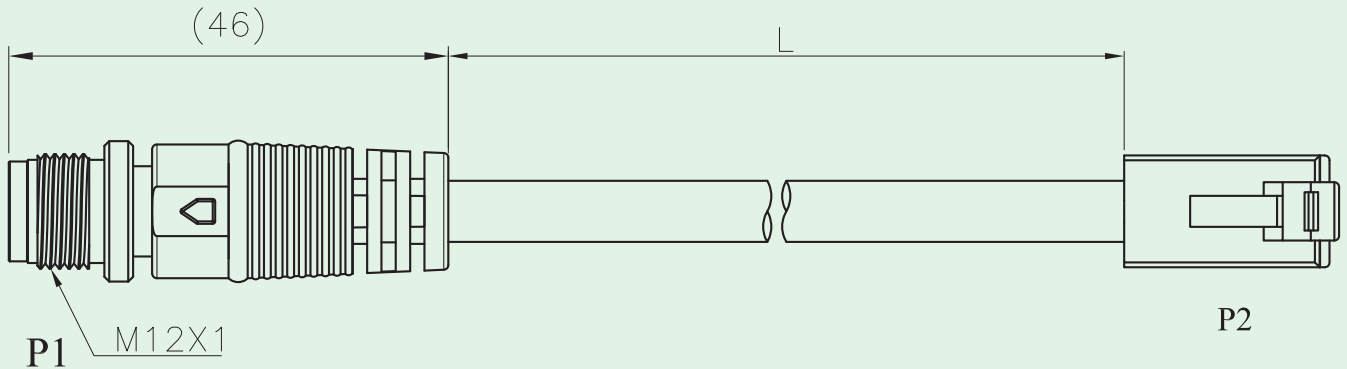
4006 X X X - XXXX

A=Male 180° L=Male 90° N=Female 180° R=Female 90°	X X X X	Wire Length	A=A Coding D=D Coding	2=2 Pin 3=3 Pin ... A=10 Pin B=11 Pin ...
--	------------------	-------------	--------------------------	--



Waterproof Circular Connector (M12 X-Code 8P 180° Male)

KINSUN



Scale 2:1

Terminal	Wire Harness		Terminal
Shield	Drain	地線	Shield
8	Blue	藍	4
7	Blue/White	藍/白	5
6	Brown	棕	8
5	Brown/White	棕/白	7
4	Green	綠	6
3	Green/White	綠/白	3
2	Orange	橙	2
1	Orange/White	橙/白	1
P1	Wire Color		P2
Pin Out			

Twist

Twist

Twist

Twist

Materials

- **Housing** : Brass Plating Nickel Over All
- **Contacts** : Gold Plating Over Nickel In Contact.
- **Nut** : Brass Plating Nickel Over All.
- **Insert** : PBT,Black.
- **Cable** : S/FTP 26AWG*4P,LSZH Jacket.OD=Ø6.5±0.3mm.
- **Molding Material** : TPU.
- **Specifications** :
 1. Poles : 8
 2. Rated Voltage : 48V.
 3. Rated Current : 0.5A.
 4. Contact Resistance : <15MΩ.
 5. Insulation Resistance : >100MΩ.
 6. Temperature Range : -40°C ~ 85°C.
 7. Transmission Performance(Category) : Cat 6A



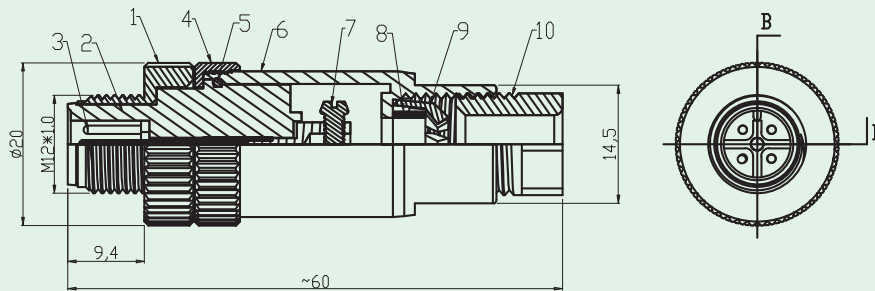
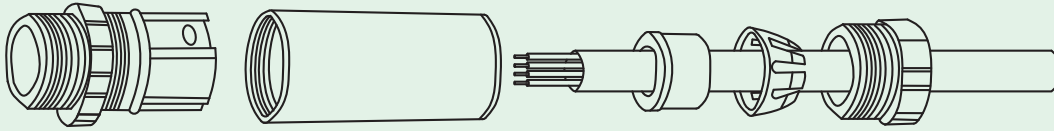
Ordering Information

4007A800B8-0100



Waterproof Circular Connectors (M12 Male Cable Assembly)

KINSUN



NO.	Part Name	
10	Tail Nuts	PA
9	Cable Clip	PA
8	Rubber Tube	NBR
7	Screws	Stainless Steel
6	Body	PA
5	O-Ring	NBR
4	Fixing Nuts	Brass
3	Pin	Brass
2	Housing	PBT
1	Front Screw	Zinc

Materials

- **Waterproof Rate** : IP68
- **Current Rating** : 4A(2 to 5Pin) 2A(6 to 8Pin)
- **Rated Voltage** : 250V AC/DC(2 to 4Pin)
60V AC/DC(5Pin)
30V AC/DC(6 to 8Pin)
- **Insulation Resistance** : $10^8 \Omega$ Min



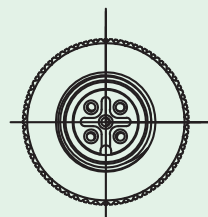
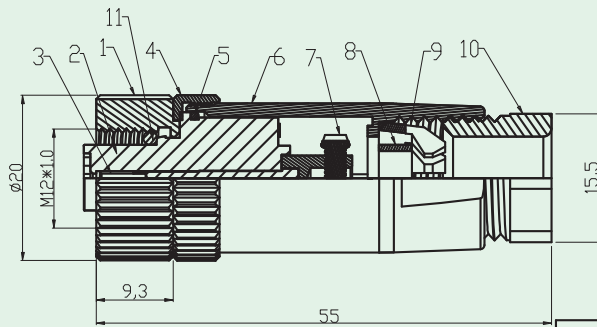
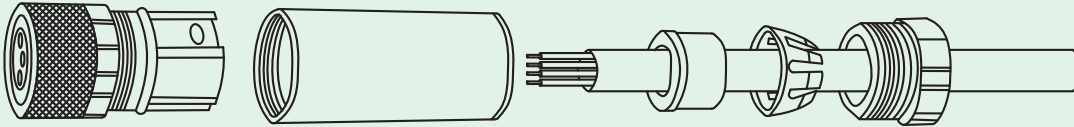
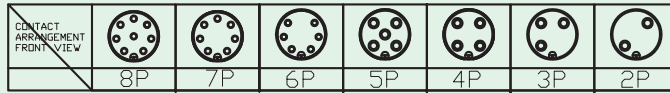
Ordering Information

4006 Series



Waterproof Circular Connectors (M12 Female Cable Assembly)

KINSUN



NO.	Part Name	
11	O-Ring	NBR
10	Tail Nuts	PA
9	Cable Clip	PA
8	Rubber Tube	Silicon
7	Screws	Stainless Steel
6	Body	PA
5	O-Ring	NBR
4	Fixing Nuts	Brass
3	Female Pin	Brass
2	Housing	PBT
1	Front Nuts	Brass

Materials

- **Waterproof Rate** : IP68
- **Current Rating** : 4A(2 to 5Pin) 2A(6 to 8Pin)
- **Rated Voltage** : 250V AC/DC(2 to 4Pin)
60V AC/DC(5Pin)
30V AC/DC(6 to 8Pin)
- **Insulation Resistance** : $10^8 \Omega$ Min



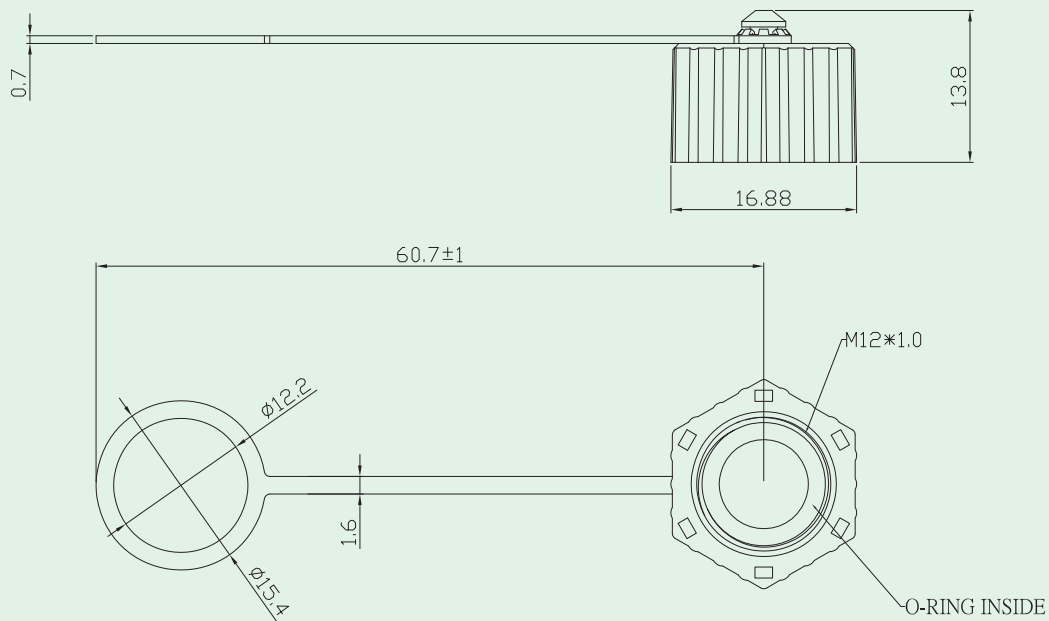
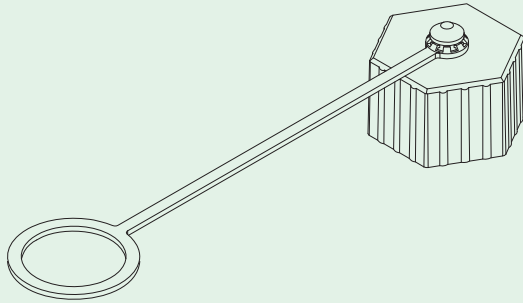
Ordering Information

4006 Series



Waterproof M12 Cap

KINSUN



Materials

- **Plastic Housing** : Engineering Thermoplastic.
- **Tip** : PA.



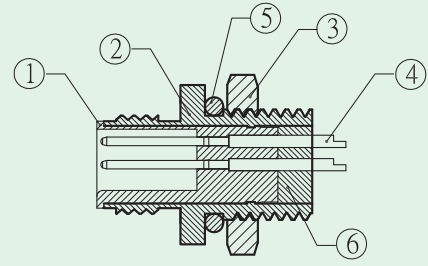
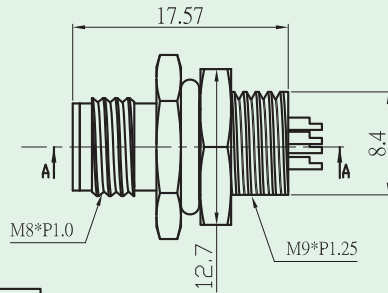
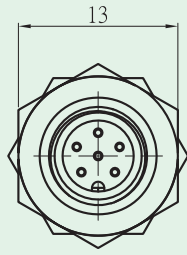
Ordering Information

4001A-05 M12 Male Cap



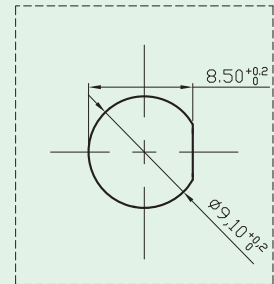
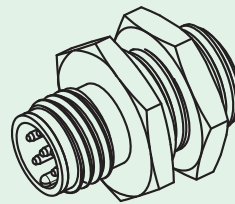
Waterproof M8 Male With Rear Mount Solder Wire

KINSUN



Section:A-A

Contacts	A-Coding	Rated Current/Voltage
3PIN		3A/50V AC/DC
4PIN		3A/50V AC/DC
6PIN		1.5A/30V AC/DC
8PIN		1.5A/30V AC/DC
Contacts	B-Coding	Rated Current/Voltage
5PIN		3A/30V AC/DC



Panel Cut-out
Panel Thick:4.5mm

Materials

- **Plastic Housing** : Engineering Plastic
Flammability Rating UL 94V-0. Color : Black
- **Coupling Nut** : M8*P1.0 Brass With Nicked Plated
- **Screw Nut** : Brass With Nickel Plated
- **Contacts** : Brass With Gold Plating Over Nickel In Contact
- **O-RING** : EPDM Rubber Black Color



Ordering Information

4012 X X X

A=Male
N=Female

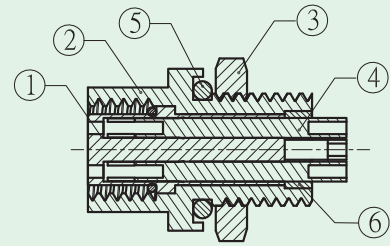
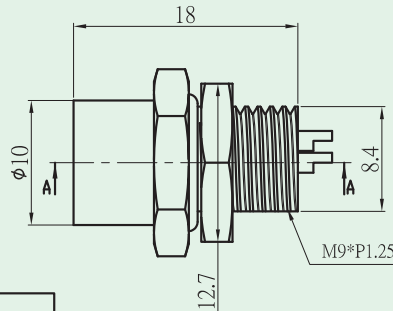
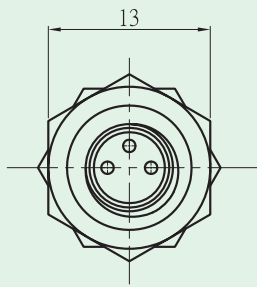
A=A Coding
B=B Coding

3=3 Pin
4=4 Pin
⋮



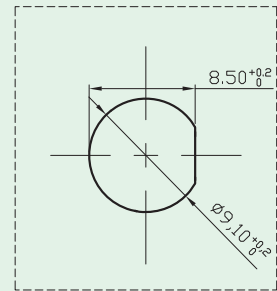
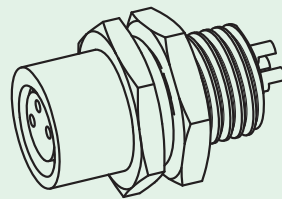
Waterproof M8 Female With Rear Mount Solder Wire

KINSUN



Section:A-A

Contacts	A-Coding	Rated Current/Voltage
3PIN		3A/50V AC/DC
4PIN		3A/50V AC/DC
6PIN		1.5A/30V AC/DC
8PIN		1.5A/30V AC/DC
Contacts	B-Coding	Rated Current/Voltage
5PIN		3A/30V AC/DC



Panel Cut-out
Panel Thick:4.5mm

Materials

- **Plastic Housing** : Engineering Plastic
Flammability Rating UL 94V-0. Color : Black
- **Coupling Nut** : M8*P1.0 Brass With Nicked Plated
- **Screw Nut** : Brass With Nickel Plated
- **Contacts** : Brass With Gold Plating Over Nickel In Contact
- **O-RING** : EPDM Rubber Black Color



Ordering Information

4012 X X X

A=Male
N=Female

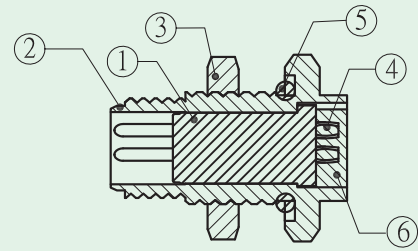
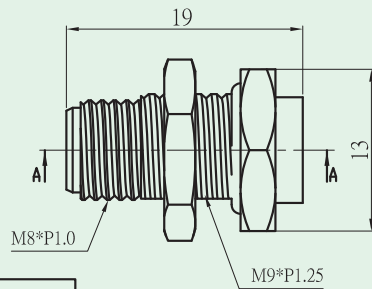
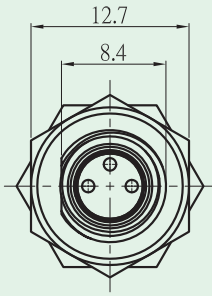
A=A Coding
B=B Coding

3=3 Pin
4=4 Pin
...



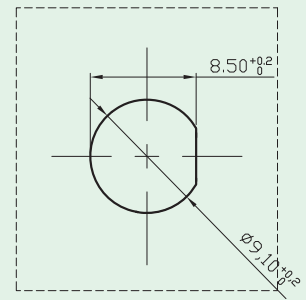
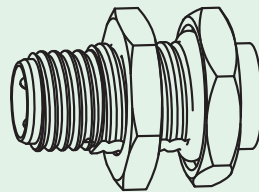
Waterproof M8 Male With Front Mount Solder Wire

KINSUN



Section: A-A

Contacts	A-Coding	Rated Current/Voltage
3PIN		3A/50V AC/DC
4PIN		3A/50V AC/DC
6PIN		1.5A/30V AC/DC
8PIN		1.5A/30V AC/DC
Contacts	B-Coding	Rated Current/Voltage
5PIN		3A/30V AC/DC



Panel Cut-out
Panel Thickness:4.5mm

Materials

- **Plastic Housing** : Engineering Plastic
Flammability Rating UL 94V-0. Color : Black
- **Coupling Nut** : M8*P1.0 Brass With Nicked Plated
- **Screw Nut** : Brass With Nickel Plated
- **Contacts** : Brass With Gold Plating Over Nickel In Contact
- **O-RING** : EPDM Rubber Black Color



Ordering Information

4012 X X X

A=Male
N=Female

A=A Coding
B=B Coding

3=3 Pin
4=4 Pin
⋮

~75~

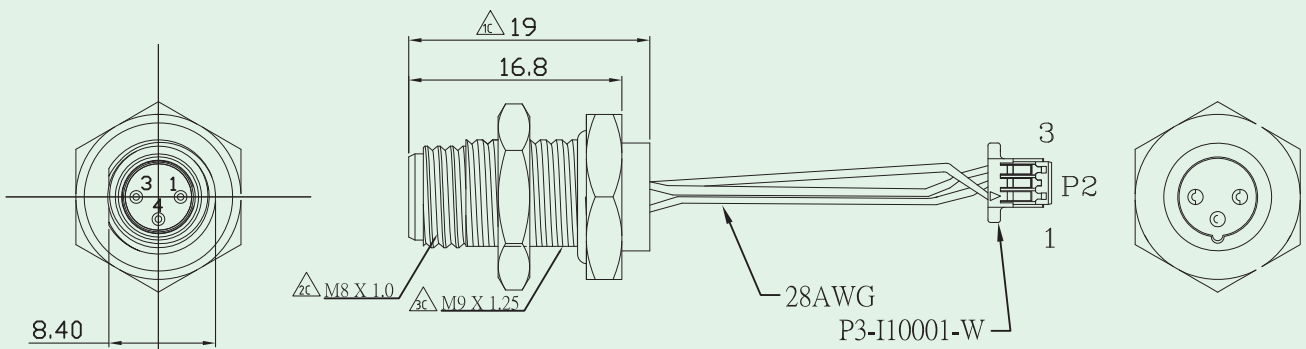


Waterproof M8 Male Front Mount With Wire Harness or Cable Assembly

KINSUN

CONTACT ARRANGEMENT FRONT VIEW	3P	4P	6P

P1	WIRE COLOR	P2
1	GREEN	2
3	RED	3
4	BLACK	1



Materials

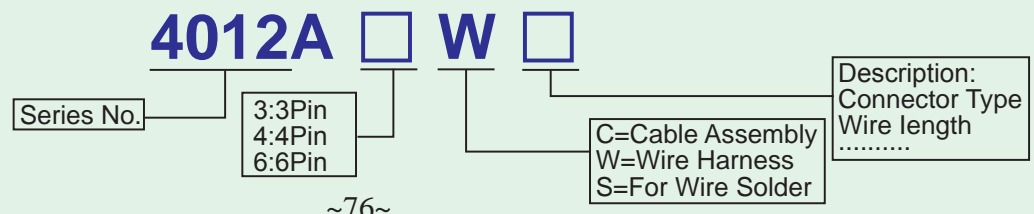
- **Plastic Housing** : Engineering Thermoplastic
Flammability Rating UL 94V-0.
- **Contacts** : Copper Alloy.
- **Plating** : Gold Plating Over Nickel In Contact.
- **O-Ring** : Silicone Rubber Black Color.
- **Shield** : Brass With Nickel Plated.



Ratings and Characteristics

- **Waterproof Rate** : IP68
- **Current Rating** : 3A (3Pin)
3A (4Pin) 1.5A(6Pin)
- **Rated Voltage** : 50V AC/60V DC (3Pin) 50V AC/60V DC (4Pin)
30V AC/30V DC (6Pin)
- **Insulation Resistance** : $10^8 \Omega$ Min

Ordering Information



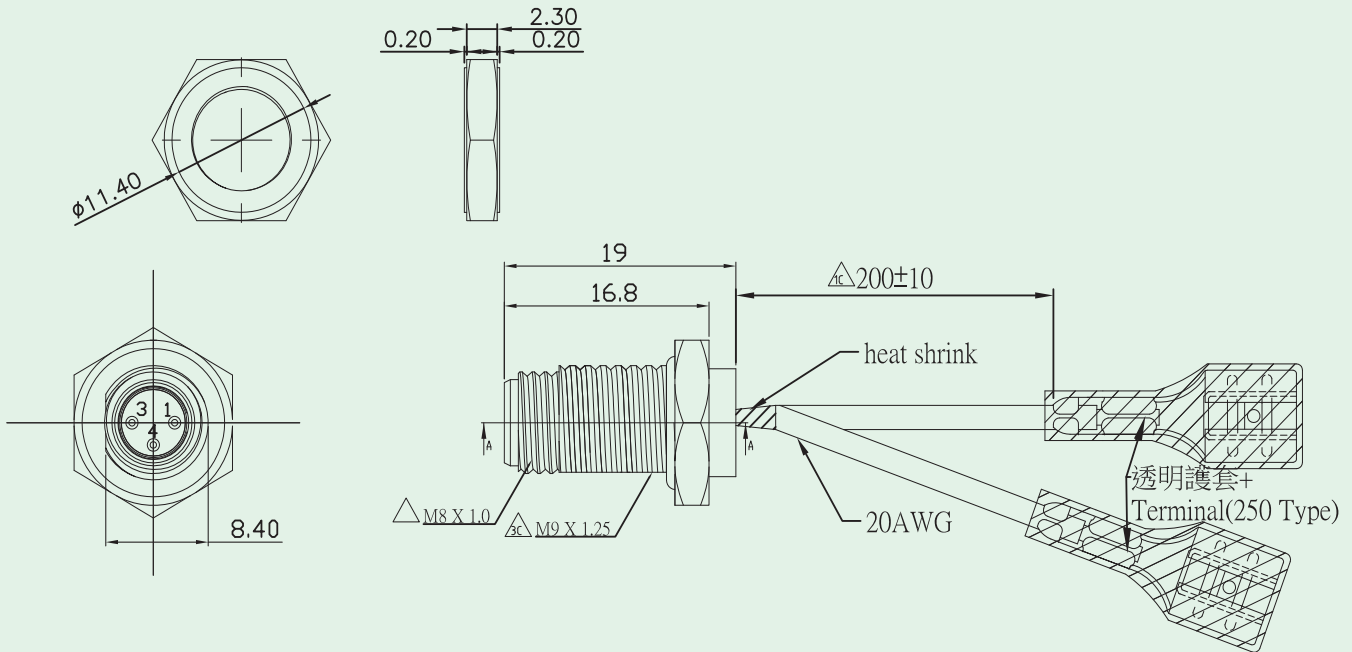


Waterproof M8 Male Front Mount Cable Assembly For Automotive

KINSUN

CONTACT ARRANGEMENT FRONT VIEW			
	3P	4P	6P

PI	WIRE COLOR
1	RED
3	BLACK



Materials

- **Plastic Housing** : Engineering Thermoplastic
Flammability Rating UL 94V-0.
- **Contacts** : Copper Alloy.
- **Plating** : Gold Plating Over Nickel In Contact.
- **O-Ring** : Silicone Rubber Black Color.
- **Shield** : Brass With Nickel Plated.



Ratings and Characteristics

- **Waterproof Rate** : IP68
- **Current Rating** : 3A(3Pin)
3A(4Pin) 1.5A(6Pin)
- **Rated Voltage** : 50V AC/60V DC(3Pin) 50V AC/60V DC(4Pin)
30V AC/30V DC(6Pin)
- **Insulation Resistance** : $10^8 \Omega$ Min

Ordering Information

4012A31002-200

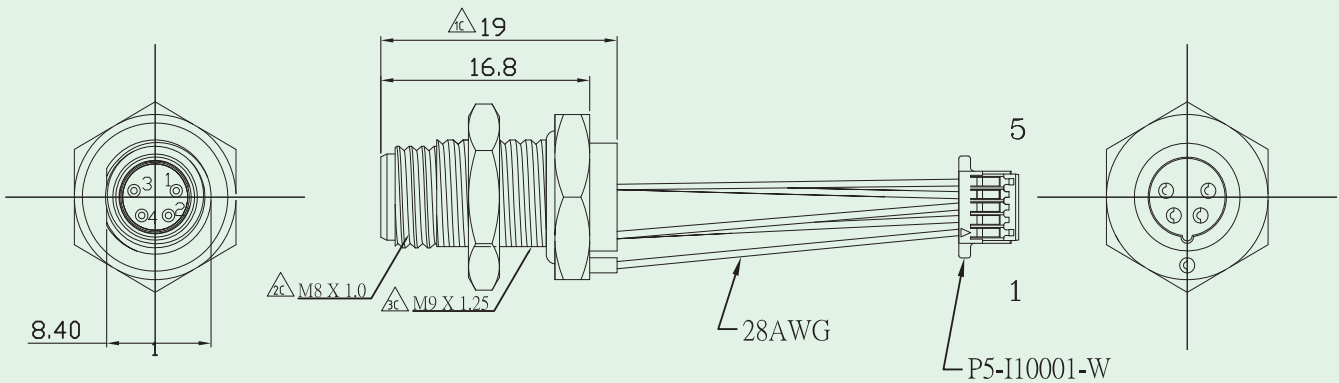


Waterproof M8 Male Front Mount For USB Cable Assembly

KINSUN

CONTACT ARRANGEMENT FRONT VIEW			
	3P	4P	6P

P1	WIRE COLOR	P2
1	BLACK	2
2	WHITE	4
3	GREEN	3
4	RED	5
SHILDED	BLACK	1



Materials

- **Plastic Housing** : Engineering Thermoplastic
Flammability Rating UL 94V-0.
- **Contacts** : Copper Alloy.
- **Plating** : Gold Plating Over Nickel In Contact.
- **O-Ring** : Silicone Rubber Black Color.
- **Shield** : Brass With Nickel Plated.



Ratings and Characteristics

- **Waterproof Rate** : IP68
- **Current Rating** : 3A (3Pin)
3A (4Pin) 1.5A (6Pin)
- **Rated Voltage** : 50V AC/60V DC (3Pin) 50V AC/60V DC (4Pin)
30V AC/30V DC (6Pin)
- **Insulation Resistance** : $10^8 \Omega$ Min

Ordering Information

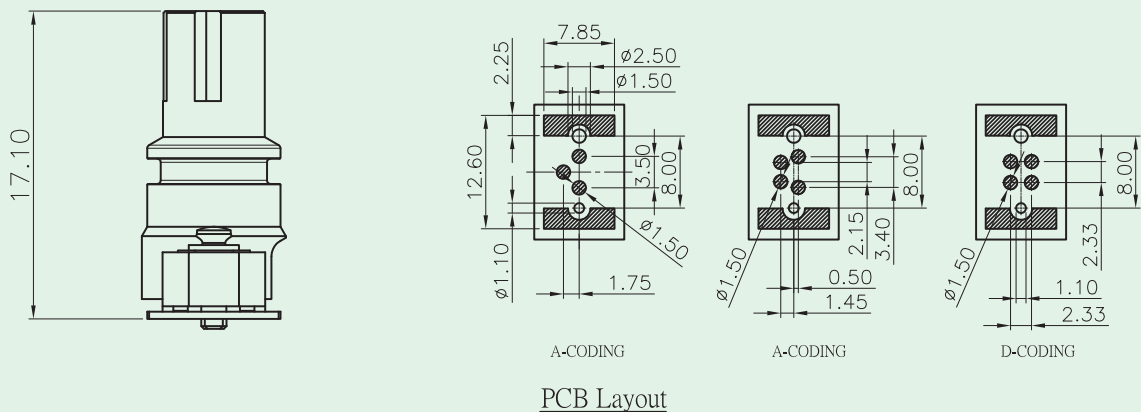
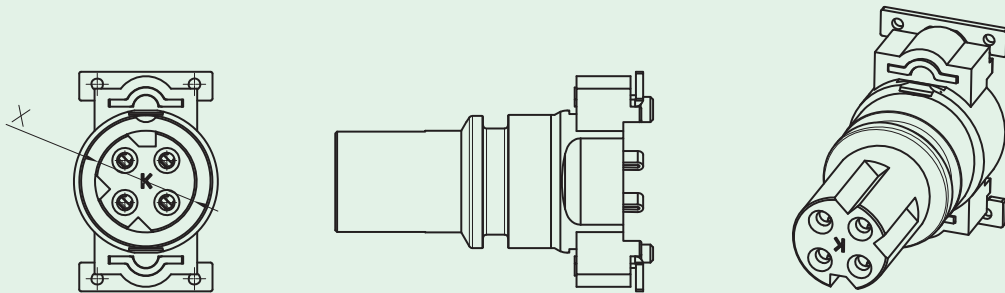
4012A41001



M8 Circular Connector (Female/SMT)

KINSUN

Coded	A-Coded		D-Coded
	X:∅ 5.8		X:∅ 5.65
Pin assignment (front view)			
	3-pos.	4-pos.	4-pos.
Rated voltage	50V A.C./60V D.C.		60V A.C./D.C
Nominal current	3A		4A



Materials

- **Plastic Housing** : High Temp. Thermoplastic
Flammability Rating UL 94-V0
- **Contacts** : Phosphor bronze
- **Rated current** : According to the form
- **Rated voltage** : According to the form
- **Insulation resistance** : $10^8 \Omega$ Min



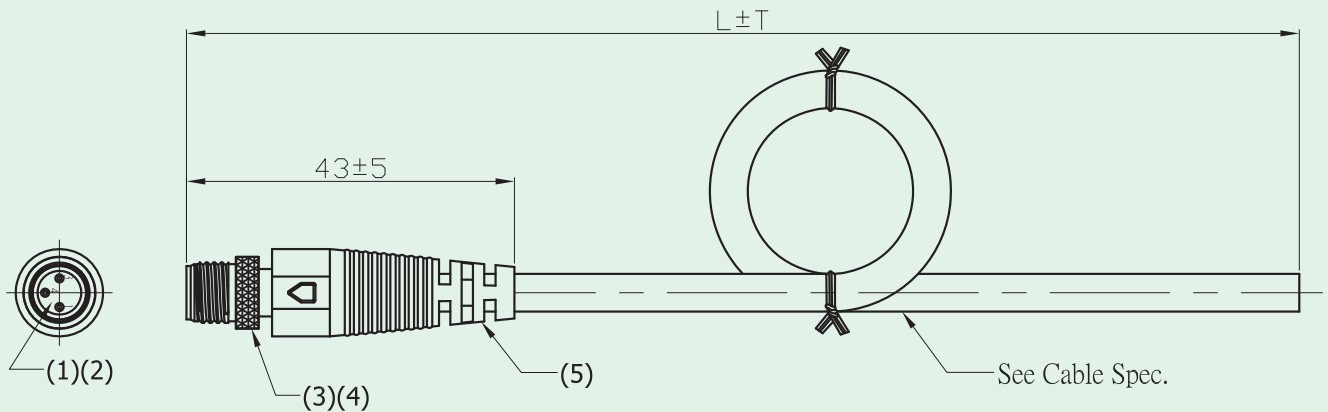
Ordering Information

M8 SMT Series



Waterproof M8 Male Straight With Cable

KINSUN



Contacts	A-Coding	Cable Spec.	Rated Current /Voltage
3PIN		UL2517 105°C 300V 22AWG(24AWG)*3C+A.E.B PVC Jacket OD=5.0~5.8 [Wire Color : Brown .Blue . Black]	3A 50V AC /60V DC
4PIN		UL2517 105°C 300V 22AWG(24AWG)*4C+A.E.B PVC Jacket OD=5.0~5.8 [Wire Color : Brown .White .Blue . Black]	3A 50V AC /60V DC
6PIN		UL2517 105°C 300V 26AWG(28AWG)*6C+A.E.B PVC Jacket OD=5.6 [Wire Color : Blue .Green .Yellow .Red .Brown .Black]	1.5A 30V AC /30V DC
8PIN		UL2517 105°C 300V 26AWG(28AWG)*8C+A.E.B PVC Jacket OD=5.6 [Wire Color : Blue .Green .Yellow .Red .Brown .Black .Purple .Orange]	1.5A 30V AC /30V DC

Materials

- **Plastic Housing** : Engineering Thermoplastic.
Flammability Rating UL 94V-0. Color Black
- **Contacts** : Copper Alloy with Gold Plating Over Nickel In Contact.
- **Grounding Metal** : Brass With Nickel Plated.
- **Coupling Nut** : Brass With Nickel Plated.
- **Over Mold** : TPU Black Color



Ordering Information

A=Male 180°
L=Male 90°
N=Female 180°
R=Female 90°
4016 X X X - XXXX
Wire Length
A=A Coding
D=D Coding

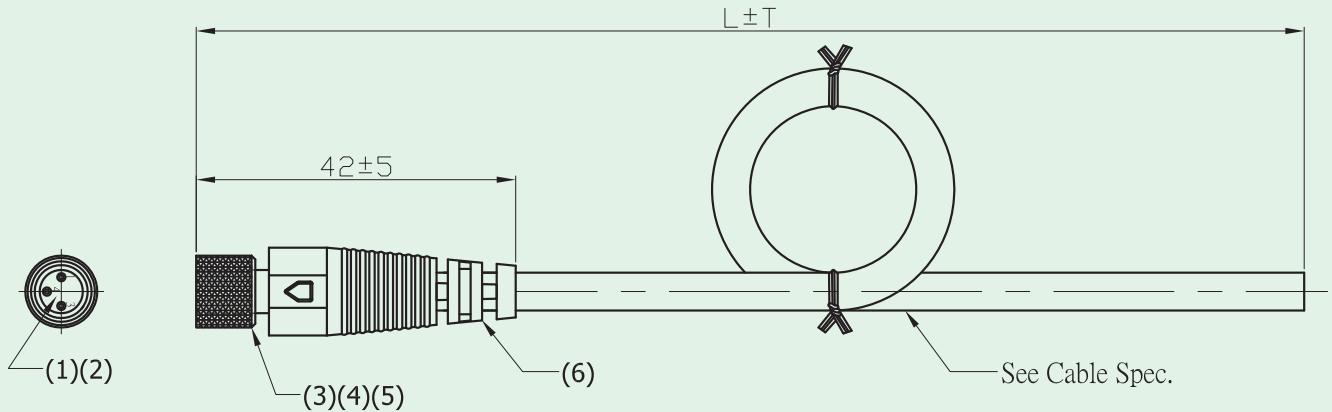
 2=2 Pin
 3=3 Pin
 ⋮
 A=10 Pin
 B=11 Pin
 ⋮

~80~



Waterproof M8 Female Straight With Cable

KINSUN



Contacts	A-Coding	Cable Spec.	Rated Current /Voltage
3PIN		UL2517 105°C 300V 22AWG(24AWG)*3C+A.E.B PVC Jacket OD=5.0~5.8 [Wire Color : Brown .Blue . Black]	3A 50V AC /60V DC
4PIN		UL2517 105°C 300V 22AWG(24AWG)*4C+A.E.B PVC Jacket OD=5.0~5.8 [Wire Color : Brown .White .Blue . Black]	3A 50V AC /60V DC
6PIN		UL2517 105°C 300V 26AWG(28AWG)*6C+A.E.B PVC Jacket OD=5.6 [Wire Color : Blue .Green .Yellow .Red .Brown .Black]	1.5A 30V AC /30V DC
8PIN		UL2517 105°C 300V 26AWG(28AWG)*8C+A.E.B PVC Jacket OD=5.6 [Wire Color : Blue .Green .Yellow .Red .Brown .Black .Purple .Orange]	1.5A 30V AC /30V DC

Materials

- **Plastic Housing** : Engineering Thermoplastic.
Flammability Rating UL 94V-0. Color Black
- **Contacts** : Copper Alloy with Gold Plating Over Nickel In Contact.
- **Grounding Metal** : Brass With Nickel Plated.
- **O-Ring** : EPDM Rubber Red Color.
- **Coupling Nut** : Brass With Nickel Plated.
- **Over Mold** : TPU Black Color



Ordering Information

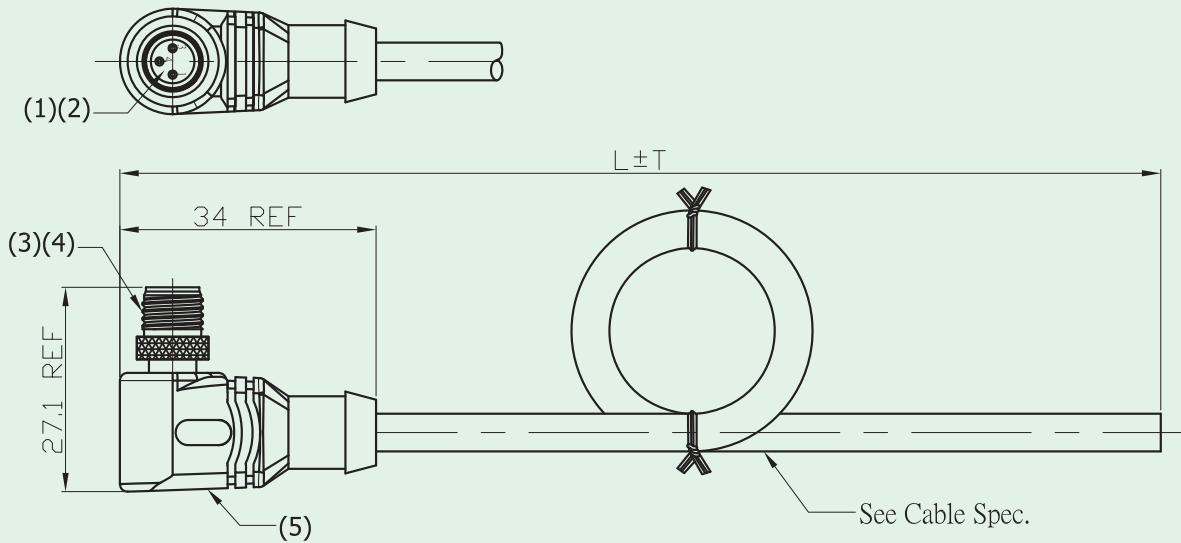
4016 X X X - XXXX

A=Male 180° L=Male 90° N=Female 180° R=Female 90°		Wire Length		A=A Coding D=D Coding	2=2 Pin 3=3 Pin ... A=10 Pin B=11 Pin ...
--	--	-------------	--	--------------------------	--



Waterproof M8 Male Right Angle With Cable

KINSUN



Contacts	A-Coding	Cable Spec.	Rated Current /Voltage
3PIN		UL2517 105°C 300V 22AWG(24AWG)*3C+A.E.B PVC Jacket OD=5.0~5.8 [Wire Color : Brown .Blue . Black]	3A 50V AC /60V DC
4PIN		UL2517 105°C 300V 22AWG(24AWG)*4C+A.E.B PVC Jacket OD=5.0~5.8 [Wire Color : Brown .White .Blue . Black]	3A 50V AC /60V DC
6PIN		UL2517 105°C 300V 26AWG(28AWG)*6C+A.E.B PVC Jacket OD=5.6 [Wire Color : Blue .Green .Yellow .Red .Brown .Black]	1.5A 30V AC /30V DC
8PIN		UL2517 105°C 300V 26AWG(28AWG)*8C+A.E.B PVC Jacket OD=5.6 [Wire Color : Blue .Green .Yellow .Red .Brown .Black .Purple .Orange]	1.5A 30V AC /30V DC

Materials

- **Plastic Housing** : Engineering Thermoplastic.
Flammability Rating UL 94V-0. Color Black
- **Contacts** : Copper Alloy with Gold Plating Over Nickel In Contact.
- **Grounding Metal** : Brass With Nickel Plated.
- **Coupling Nut** : Brass With Nickel Plated.
- **Over Mold** : TPU Black Color



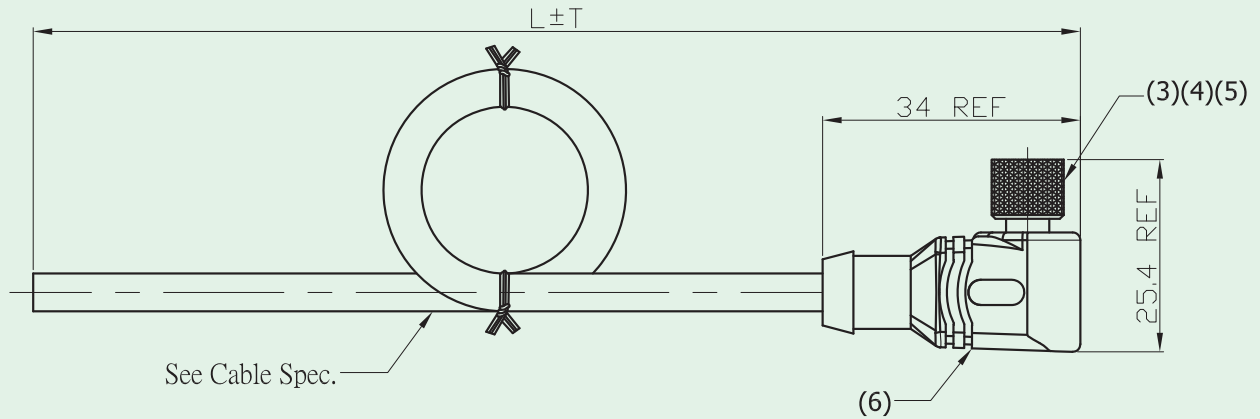
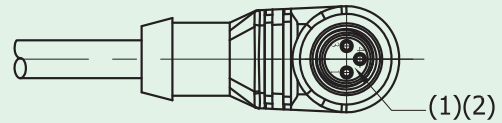
Ordering Information

A=Male 180°
L=Male 90°
N=Female 180°
R=Female 90°
4016 X X X - XXXX
Wire Length
A=A Coding
D=D Coding
2=2 Pin
3=3 Pin
⋮
A=10 Pin
B=11 Pin
⋮



Waterproof M8 Female Right Angle With Cable

KINSUN



See Cable Spec.

Contacts	A-Coding	Cable Spec.	Rated Current /Voltage
3PIN		UL2517 105°C 300V 22AWG(24AWG)*3C+A.E.B PVC Jacket OD=5.0~5.8 [Wire Color : Brown .Blue . Black]	3A 50V AC /60V DC
4PIN		UL2517 105°C 300V 22AWG(24AWG)*4C+A.E.B PVC Jacket OD=5.0~5.8 [Wire Color : Brown .White .Blue . Black]	3A 50V AC /60V DC
6PIN		UL2517 105°C 300V 26AWG(28AWG)*6C+A.E.B PVC Jacket OD=5.6 [Wire Color : Blue .Green .Yellow .Red .Brown .Black]	1.5A 30V AC /30V DC
8PIN		UL2517 105°C 300V 26AWG(28AWG)*8C+A.E.B PVC Jacket OD=5.6 [Wire Color : Blue .Green .Yellow .Red .Brown .Black .Purple .Orange]	1.5A 30V AC /30V DC

Materials

- **Plastic Housing** : Engineering Thermoplastic.
Flammability Rating UL 94V-0. Color Black
- **Contacts** : Copper Alloy with Gold Plating Over Nickel In Contact.
- **Grounding Metal** : Brass With Nickel Plated.
- **O-Ring** : EPDM Rubber Red Color.
- **Coupling Nut** : Brass With Nickel Plated.
- **Over Mold** : TPU Black Color



Ordering Information

A=Male 180°
L=Male 90°
N=Female 180°
R=Female 90°

4016 X X X - XXXX

Wire Length

A=A Coding
D=D Coding

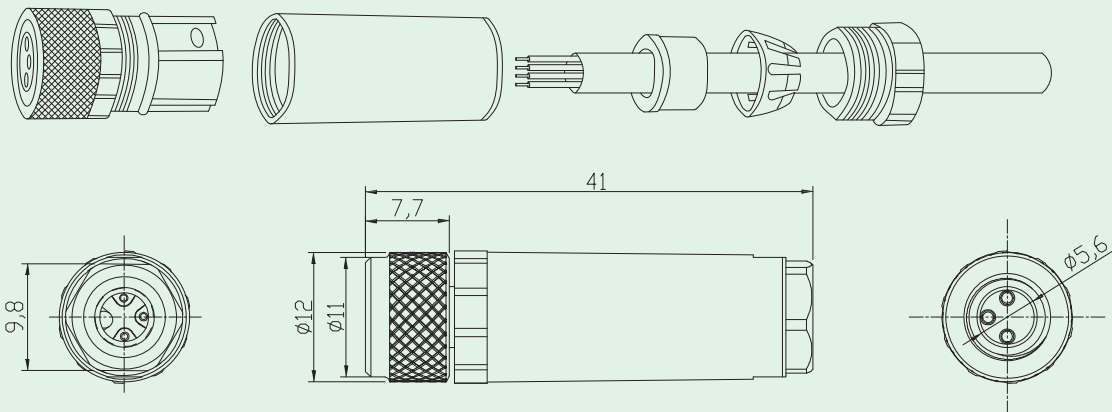
2=2 Pin
3=3 Pin
...
A=10 Pin
B=11 Pin
...



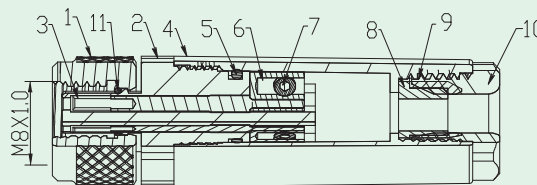
Waterproof Circular Connectors (M8 Female Cable Assembly)

KINSUN

CONTACT ARRANGEMENT FRONT VIEW		
	3P	4P



編號	產品名稱	
11	o-ring	NBR
10	尾部螺帽	PA
9	電纜夾	PA
8	橡膠套管	Silicon
7	止附螺絲	Stainless Steel
6	壓接槽	Brass
5	橡膠圈	NBR
4	Body	PA
3	Female Pin	Brass
2	Housing	PA
1	外套	Brass



Materials

- **Waterproof Rate** : IP68
- **Current Rating** : 3A (3Pin)
3A (4Pin)
- **Rated Voltage** : 60V AC/ DC (3Pin)
30V AC/ DC (4Pin)
- **Insulation Resistance** : $10^8 \Omega$ Min



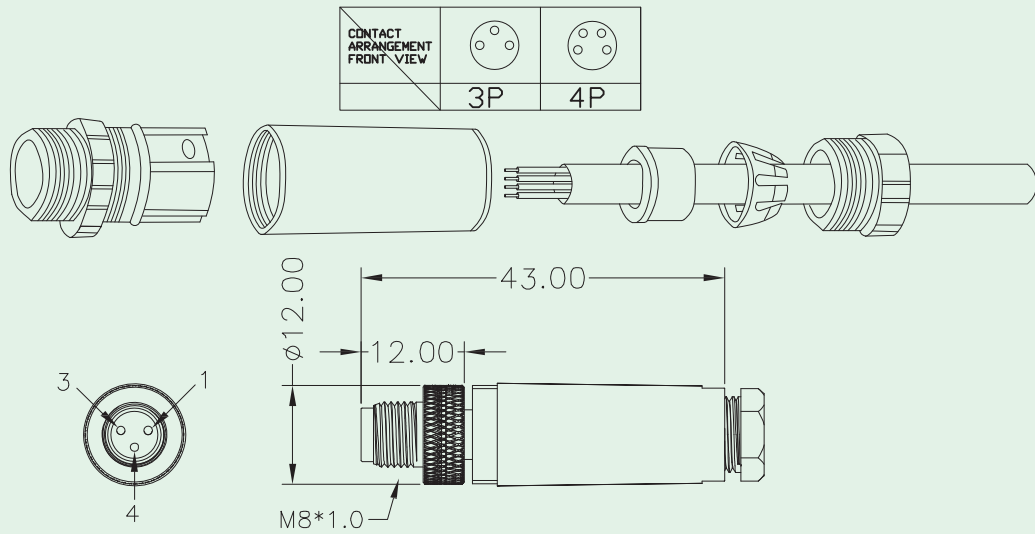
Ordering Information

4016Z30000

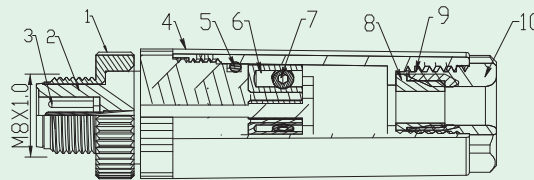


Waterproof Circular Connectors (M8 Male Cable Assembly)

KINSUN



編號	產品名稱	
10	尾部螺帽	PA
9	電纜夾	PA
8	橡膠套管	Silicon
7	止附螺絲	Stainless Steel
6	壓接槽	Brass
5	橡膠圈	NBR
4	Body	PA
3	Male Pin	Brass
2	Housing	PA
1	外套	Brass



Materials

- **Waterproof Rate** : IP68
- **Current Rating** : 3A(3Pin)
3A(4Pin)
- **Rated Voltage** : 60V AC/ DC(3Pin)
30V AC/ DC(4Pin)
- **Insulation Resistance** : $10^8 \Omega$ Min



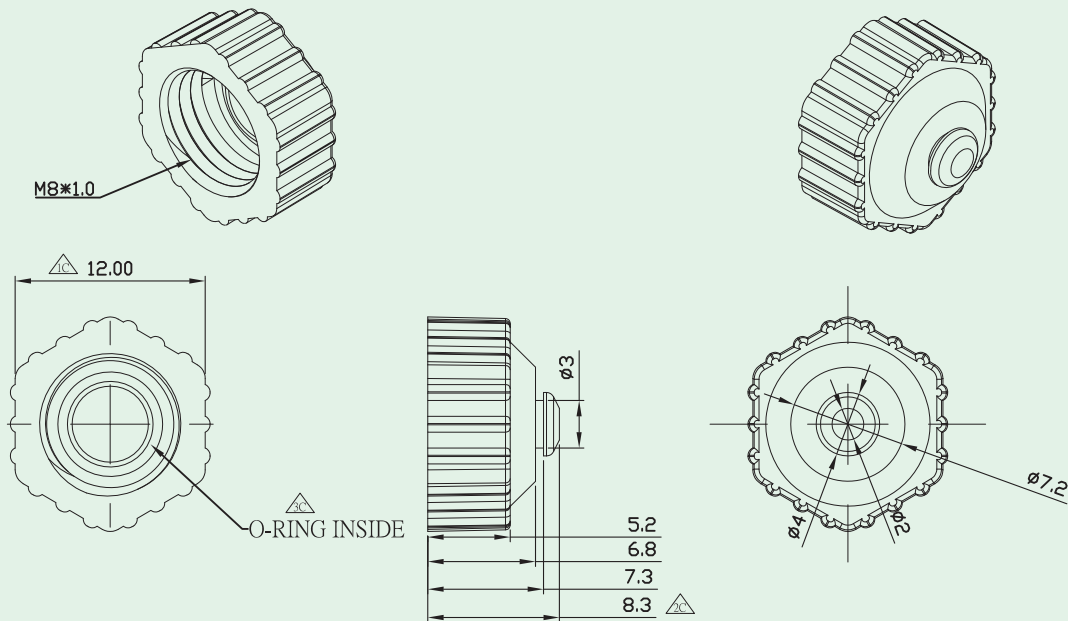
Ordering Information

4016 Series



Waterproof M8 Cap

KINSUN



Materials

- Plastic Housing : Engineering Thermoplastic.



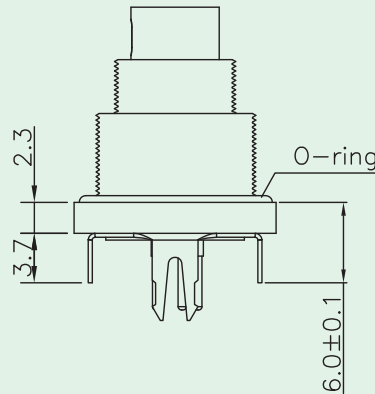
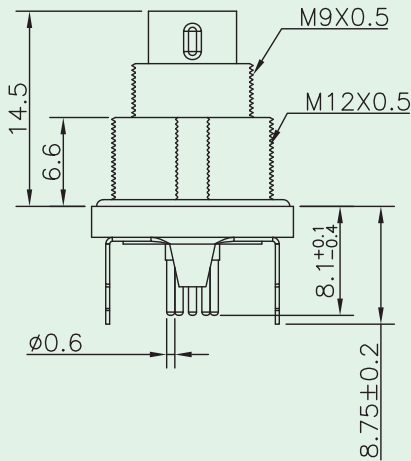
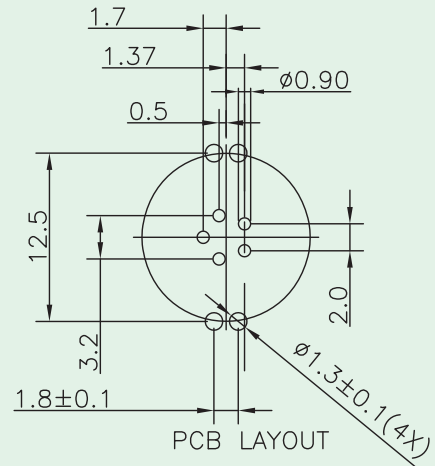
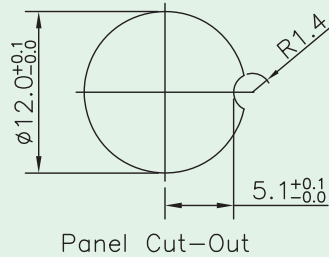
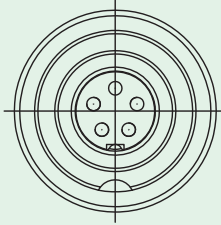
Ordering Information

4012A-01 (M8 Male Cap)



Waterproof Circular Connector (M9 5P Male)

KINSUN



Materials

- **Housing** : Brass Plating Nickel Over All.
- **Contacts** : Brass, Gold Plating Over Nickel In Contact.
- **Nut** : Brass Plating Nickel Over All.
- **O-ring(Outside)** : FKM.
- **Panel Thick** : 1.5~2.5mm.
- **Specifications** :
 1. Poles : 5.
 2. Rated Voltage : 125V.
 3. Rated Current : 3A.
 4. Contact Resistance : <math><15\text{M}\Omega</math>.
 5. Insulation Resistance : $>100\text{M}\Omega$.
 6. Protection : IP68.
 7. Temperature Range : $-40^{\circ}\text{C} \sim 85^{\circ}\text{C}$.



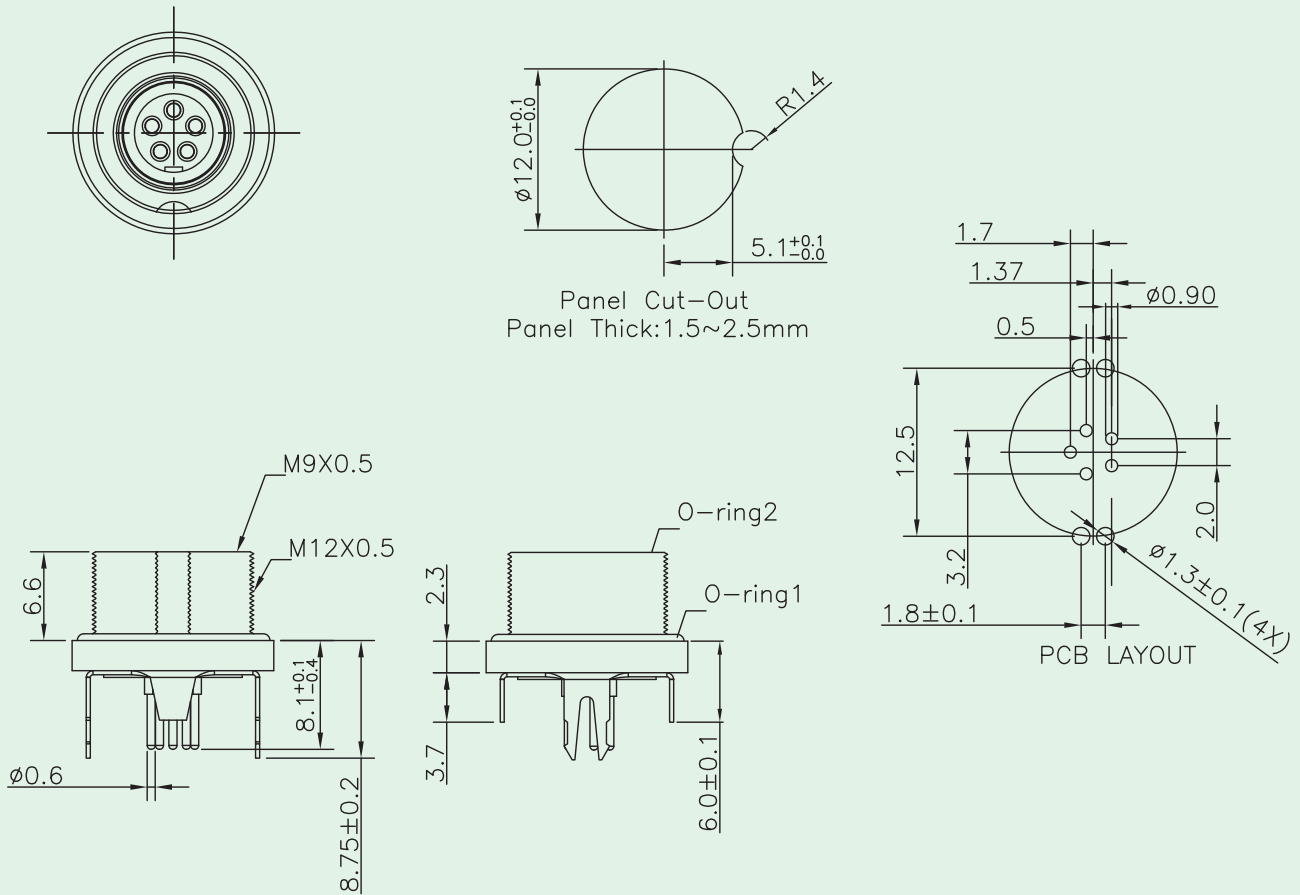
Ordering Information

4022 - Series



Waterproof Circular Connector (M9 5P Female)

KINSUN



Materials

- **Housing** : Brass Plating Nickel Over All.
- **Contacts** : Brass, Gold Plating Over Nickel In Contact.
- **Nut** : Brass Plating Nickel Over All.
- **O-ring(Outside)** : FKM.
- **O-ring(Inner)** : NBR.
- **Panel Thick** : 1.5~2.5mm.
- **Specifications** :
 1. Poles : 5.
 2. Rated Voltage : 125V.
 3. Rated Current : 3A.
 4. Contact Resistance : <math><15\Omega</math>.
 5. Insulation Resistance : $>100\Omega$.
 6. Protection : IP68.
 7. Temperature Range : $-40^{\circ}\text{C} \sim 85^{\circ}\text{C}$.



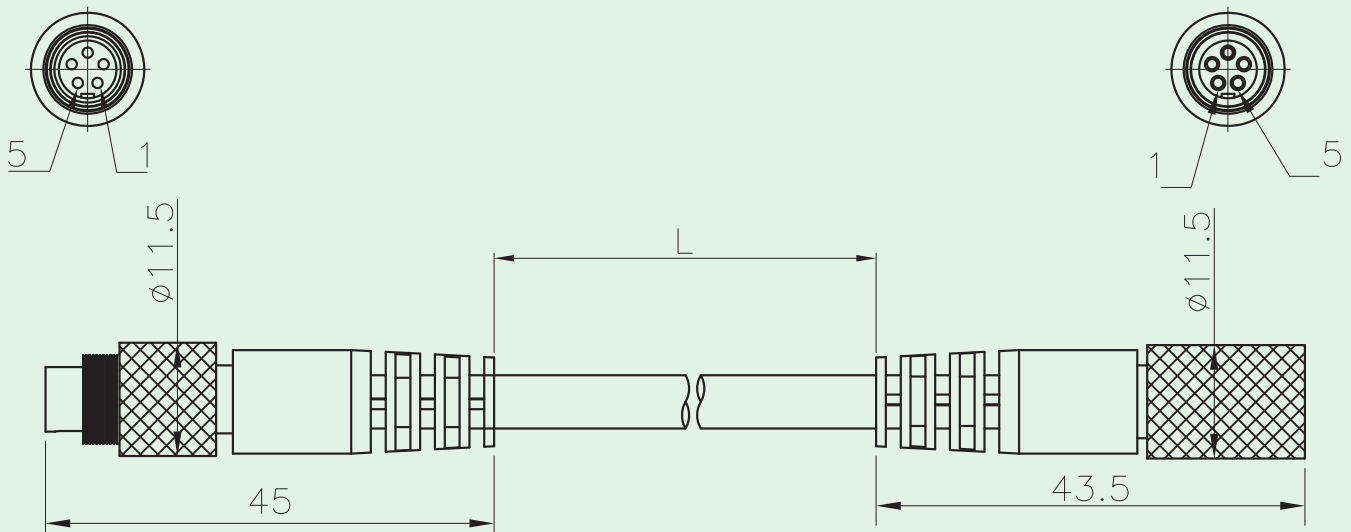
Ordering Information

4022 - Series



Waterproof Circular Connector (M9 5P 180° Female & Male)

KINSUN



Materials

- **Housing** : Brass Plating Nickel Over All.
- **Contacts** : Brass, Gold Plating Over Nickel In Contact.
- **Nut** : Brass Plating Nickel Over All.
- **O-ring(Outside)** : FKM.
- **O-ring(Inner)** : NBR.
- **Molding Material** : TPU.
- **Panel Thickness** : 1.5~2.5mm.
- **Specifications** :
 1. Poles : 5.
 2. Rated Voltage : 125V.
 3. Rated Current : 3A.
 4. Contact Resistance : <15M Ω .
 5. Insulation Resistance : >100M Ω .
 6. Temperature Range : -40°C ~ 85°C.



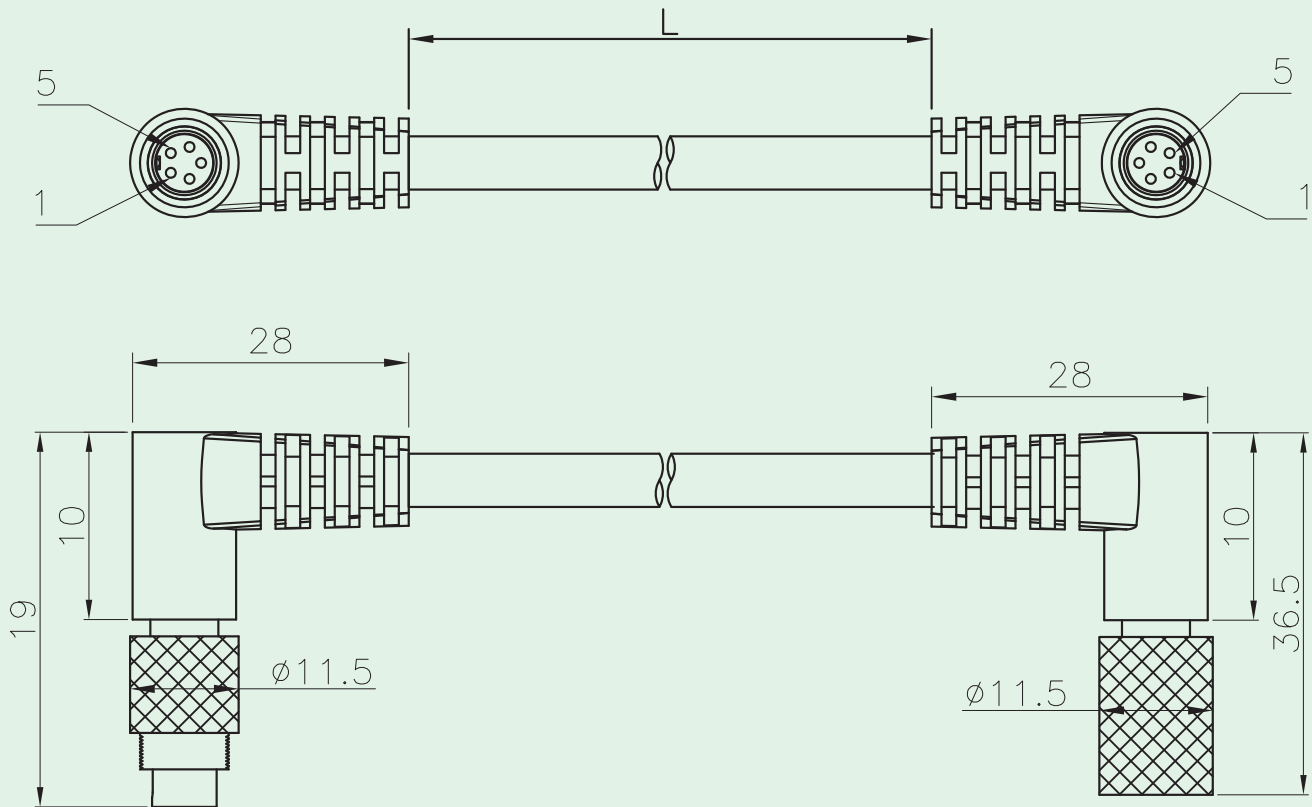
Ordering Information

4026 - Series



Waterproof Circular Connector (M9 5P 90° Female & Male)

KINSUN



Materials

- **Housing** : Brass Plating Nickel Over All.
- **Contacts** : Brass, Gold Plating Over Nickel In Contact.
- **Nut** : Brass Plating Nickel Over All.
- **O-ring(Outside)** : FKM.
- **O-ring(Inner)** : NBR.
- **Molding Material** : TPU.
- **Panel Thickness** : 1.5~2.5mm.
- **Specifications** :
 1. Poles : 5.
 2. Rated Voltage : 125V.
 3. Rated Current : 3A.
 4. Contact Resistance : <15M Ω .
 5. Insulation Resistance : >100M Ω .
 6. Temperature Range : -40°C~85°C.



Ordering Information

4026 - Series



UL2464/UL2517

TECHNICAL DATA

Nominal voltage	UL2464 300V AC/ UL2517 AC300V AC
Temperature range	UL2464 -20°C~+80°C/UL2517 -20°C~+105°C
Insulator	PVC
Shielding	Single-Shield=Aluminum Foil Double-Shield=Aluminum Foil=Aluminum Foil+Tinned Copper Braided
Braid Colours	Black Gray

UL20276

TECHNICAL DATA

Nominal voltage	30V
Temperature range	80°C
Insulator	PVC
Shielding	Individually shield with spiral wrapped tinned copper wires or braided tinned copper wires
Braid Colours	Black Gray

UL1007/UL1430

TECHNICAL DATA

Nominal voltage	300V
Temperature range	UL1007 80°C /UL1430 105°C
Insulator	UL1007 PVC /UL1430 XL-PVC
Braid Colours	Black Brown Red Orange Yellow Green Blue Purple Gray White

Ethernet cables

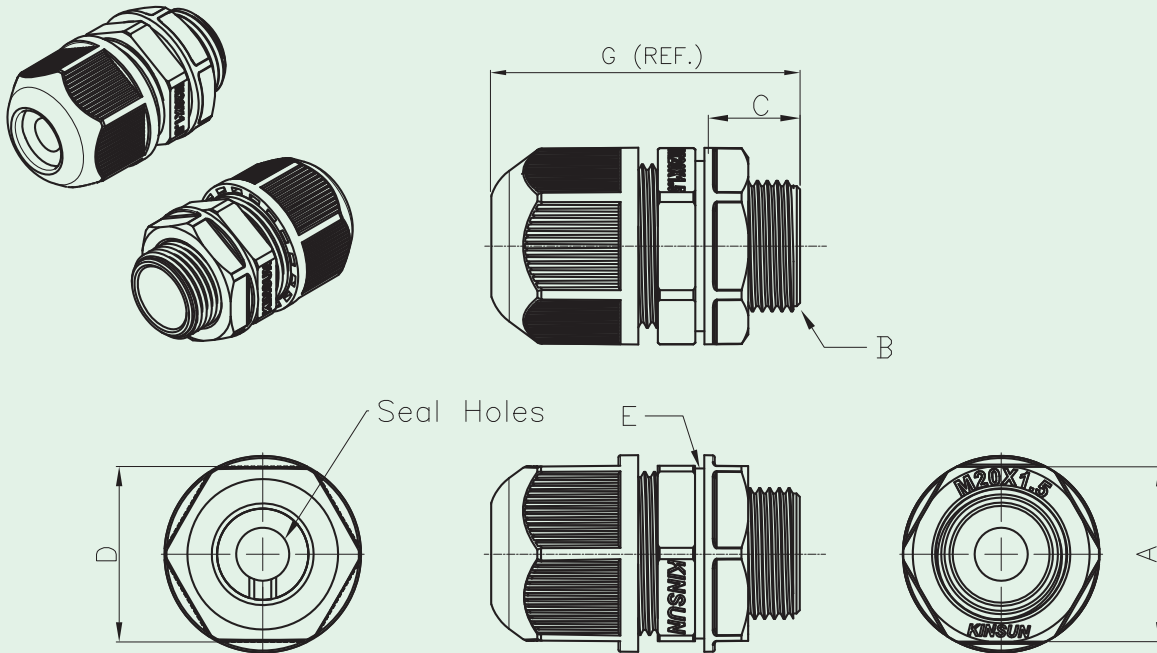
TECHNICAL DATA

UTP	CAT5e	24AWG*4P	Black
FTP	CAT5e	26AWG*4P	Black
S-FTP	CAT6A	26AWG*4P	Beige
Temperature range	75°C		
Insulator	PVC		



Cable Gland

KINSUN



Seal Holes	Thread B	Thread Length C	Cable Range φ	Spanner Size A / D	Panel Thick (Max.) E	Panel Mounting Hole F	Total Length G (REF.)
1	M16x1.5P	15	4.0~7.0	22 / 22	5.50	16~16.3	41.45(REF.)
1	M20x1.5P	16	4.0~6.0	27 / 27	6.50	20~20.3	49.30(REF.)
			5.0~8.0				
			7.0~11.0				
1	M25x1.5P	10	4.0~6.0	33 / 27	1.50	25~25.4	41.00(REF.)
			5.0~8.0				
			7.0~11.0				

Materials

Mechanical :

- **Housing** : Engineering Thermoplastic.
Flammability Rating UL94V-2.(UL94V-0)
- **Seal & Gasket** : Silicone.
- **Operating Temperature** : -40°C ~ 105°C



Ordering Information

4301 - Series

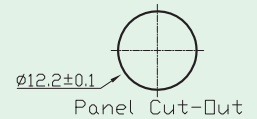
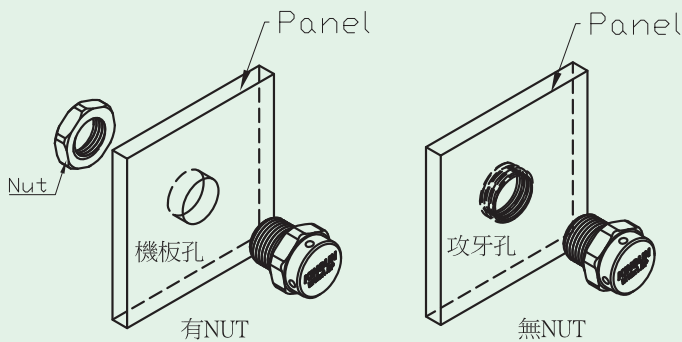
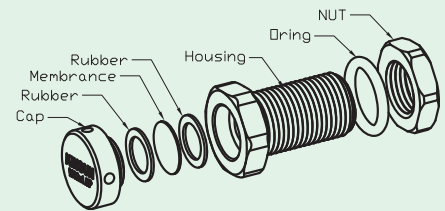
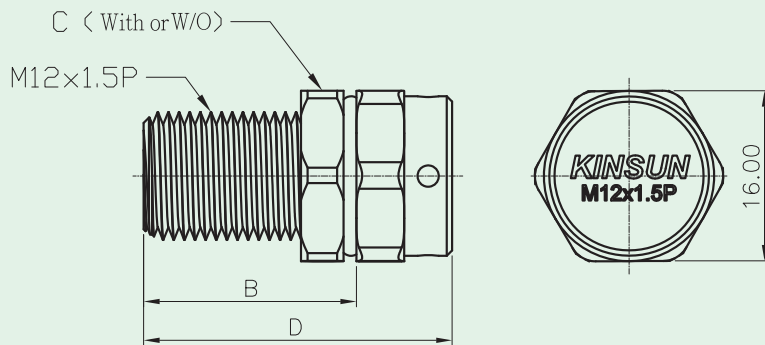
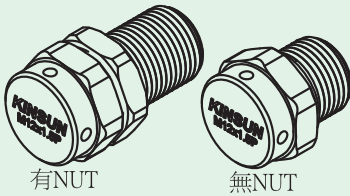
Series No.

- Other than Standard Series are available



Vent Plug (Metal-type)

KINSUN



Thread	Thread Length	Nut	Total Length	Wrench	Panel Thick (Max.)
A	B	C	D		
M12x1.5P	10	YES	19	16	4.0
M12x1.5P	10	No	20	16	8.0
M12x1.5P	20	YES	29	16	15.0

Materials

Mechanical :

- **Housing** : Brass With Nickel.
- **Cap** : Brass With Nickel.
- **Nut** : Brass With Nickel.
- **Membrane** : PTFE.
- **Rubber** : Silicone.
- **O-Ring** : EPDM.
- **Operating Temperature** : -40°C ~ 105°C
- **Air Permeability** : 1061 ml/cm²/min (@1 Psi)



Ordering Information

4380 - Series

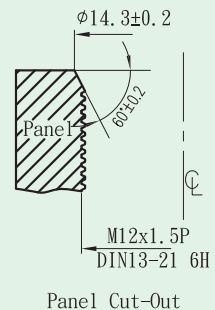
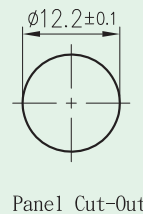
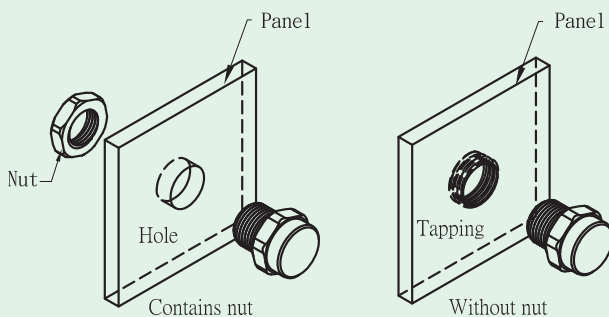
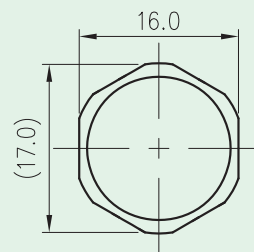
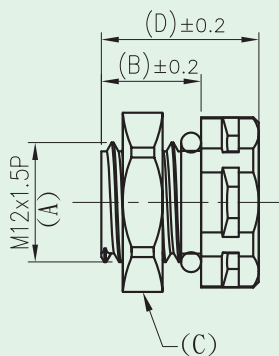
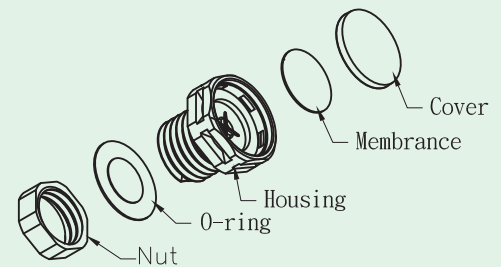


Vent Plug (Plastic-type)

KINSUN

Unit:mm

Thread (A)	Thread Length (B)	Nut (C)	Total Length (D)	Wrench	Panel Thick (Max.)
M12x1.5P	10	YES	15.8	16	4.0
M12x1.5P	10	No	15.8	16	8.0



Materials

- **Housing** : Engineering Thermoplastic.
Flammability Rating UL 94V-0.
- **Membrane** : EPTFE.
- **O-Ring** : Silicone. UR 94V-0.
- **Installation torquc** : 0.8-1.2 N.m.
- **Air Permeability (Gurley)** : 1000-1500 ml@70mbar
- **Operating Temperature** : -40°C ~ 115°C



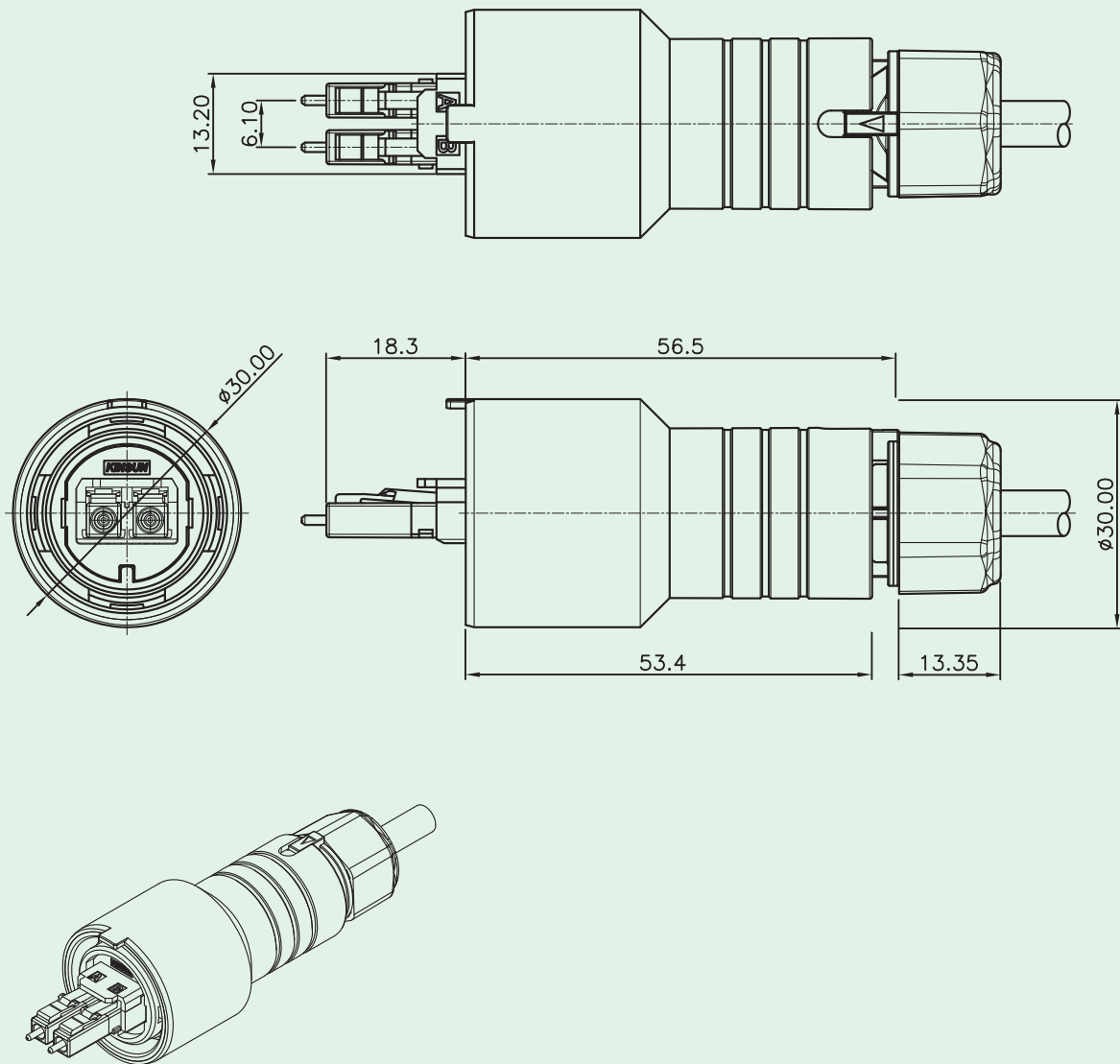
Ordering Information

4381 - Series



Push Pull Fiber Cable Side (For LC Patch Cable)

KINSUN



Materials

- **Plastic Housing** : Engineering Thermoplastic.
Flammability Rating UL 94V-0.
- **O-Ring** : Nbr Rubber.
- **Connector** : LC Optic Connector.



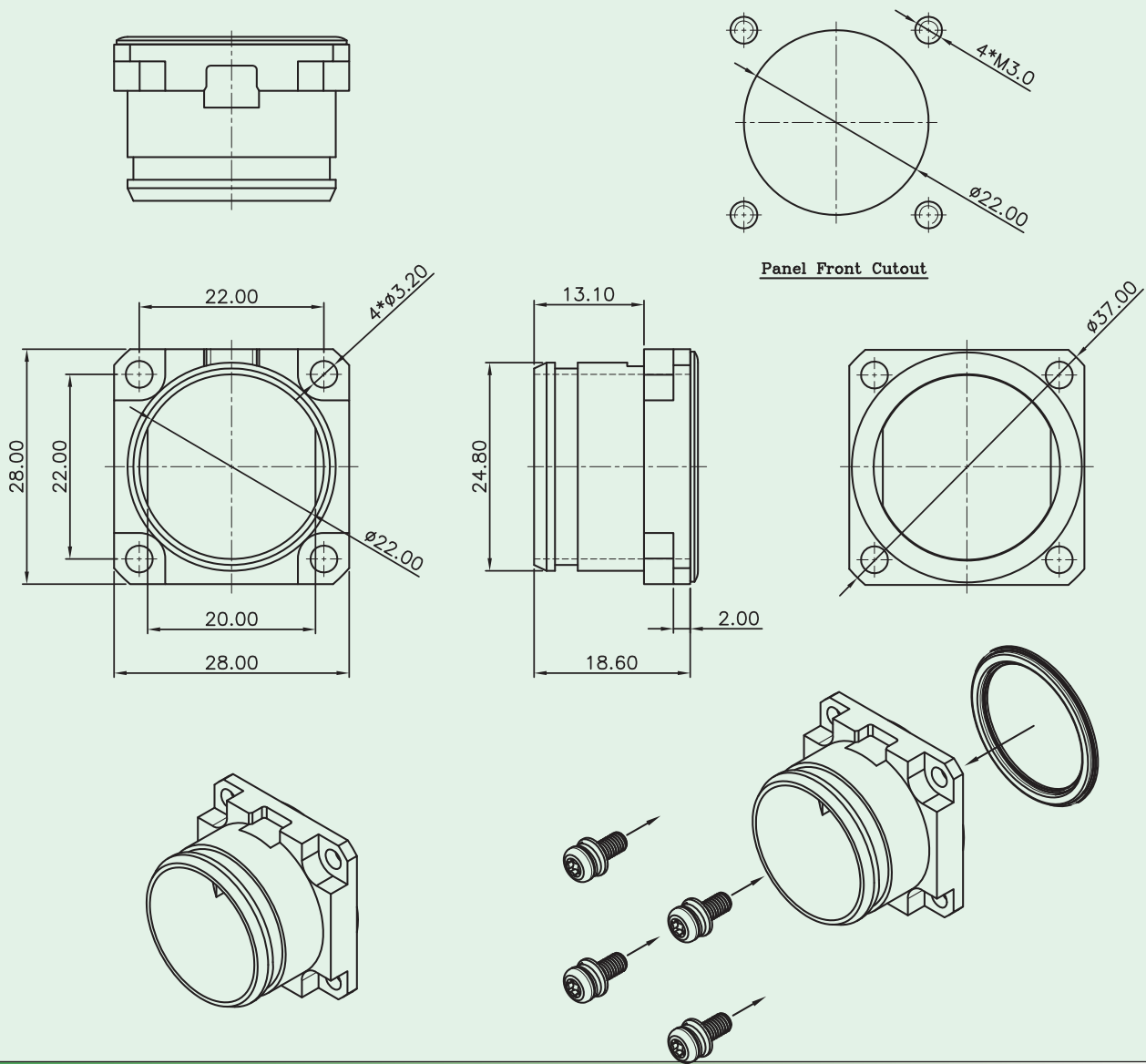
Ordering Information

3359 L



Push Pull Fiber Adapter Box Side

KINSUN



Materials

- **Plastic Housing** : Aluminum
Electro Deposition Coating, Colour: Black.
- **Gasket** : Silicon.
- **Connectop** : LC Dapter Duplex.



Ordering Information

3359 D



KINSUN INDUSTRIES INC

慶陞工業股份有限公司

Headquarters:

No. 32, Guanye East Road, Pingjhen City
32457, Taiwan.

TEL:886-3-458-9558 FAX:886-3-458-3958

<http://www.kinsun.com>

e-mail:infoa@kinsun.com

China Branch Company

