

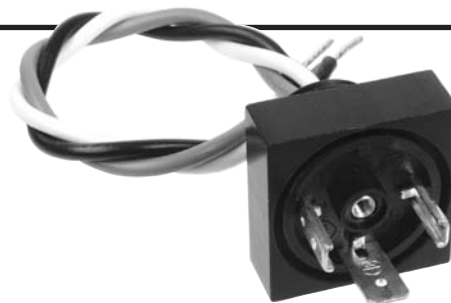
canfield connector
 8510 Foxwood Court
 Youngstown, Ohio 44514
 (330) 758-8299 Fax: (330) 758-8912
 www.canfieldconnector.com

SERIES M5

MALE CONNECTORS

General Description

Canfield male connectors are used as electrical quick disconnect interfaces for pneumatic and hydraulic valves and sensors. They are available in standard MINI, DIN 43650 Form "A" / ISO 4400, EN175301-803:2000, Sub-Micro 8mm, 9.4mm, and conduit arrangements. Some male connectors are available with 2+ ground or 3+ ground terminal options.



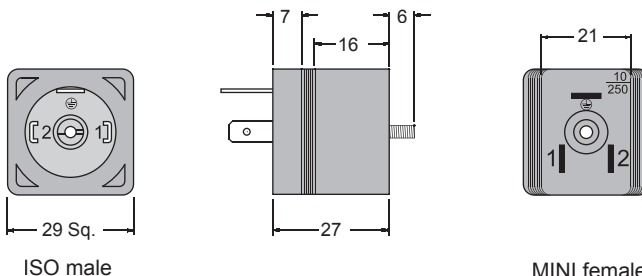
M
5

A10620 MINI Female to ISO Male Adapter

The MINI female to ISO male connector is used to adapt existing ISO connector to MINI coil installations. Connection is very simple and retrofit in the field is accomplished in minutes. The standard ISO female connector connects to the male connection.

Features

- MINI female to DIN 43650 Form "A" / ISO 4400, EN175301-803:2000 male
- Male/female central screw
- 2 + Ground version only
- 250V AC/DC max.
- 10 Amps max. rating
- Glass Fiber Reinforced Nylon
- Nitrile Gasket
- Temp. rating -25° to +90° C

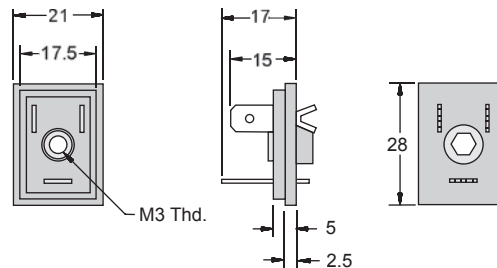


M03010 MINI Male for Molding

This MINI male connector is used as an electrical quick connect. It is generally applied during the molding, potting, or epoxying process for pneumatic and hydraulic valves or pressure switches. The M03010 male connector is built to mate with the Series 5000 or other standard MINI female connectors.

Features

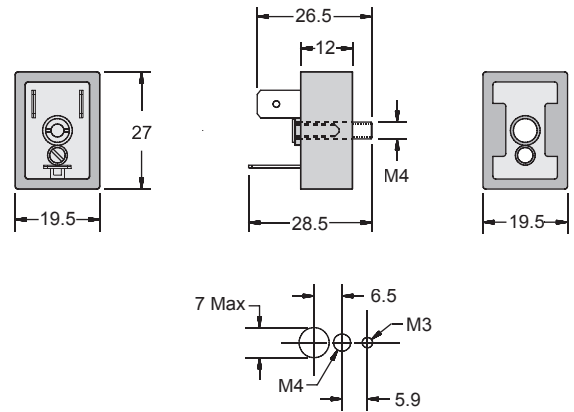
- 2+ Ground Terminals
- 250V AC/DC max.
- 10 Amps max. rating
- Glass Fiber Reinforced Nylon
- Temp. rating -40° to +125° C



This MINI male connector is used as an electrical quick connect for pneumatic and hydraulic valves. The M03110 male connector is built to mate with the Series 5000 or other standard MINI female connectors. This connector can be used for mounting on a plate, panel or bulkhead.

Features

- 2+ Ground Terminals
- 250V AC/DC max.
- 10 Amps max. rating
- Glass Fiber Reinforced Nylon
- Nitrile Gasket
- Temp. rating -25° to +90° C

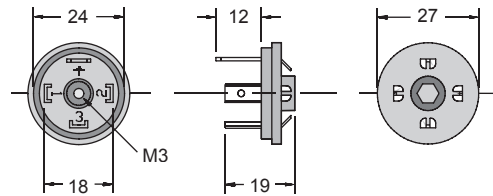


P10020 ISO Male for Molding

This male DIN 43650 Form "A" / ISO 4400, EN175301-803:2000 connector can be integrated in tooling to provide a cost effective quick connect electrical interface. The P10020 is designed to mate with Series 5000 or other DIN 43650 Form "A" / ISO 4400, EN175301-803:2000 female electrical connectors.

Features

- DIN 43650 Form "A" / ISO 4400, EN175301-803:2000 configuration
- 2+ or 3+ Ground versions
- 250V AC/DC max.
- Glass Fiber Reinforced Nylon
- 10 Amps max. rating
- Temp. rating -40° to +125° C

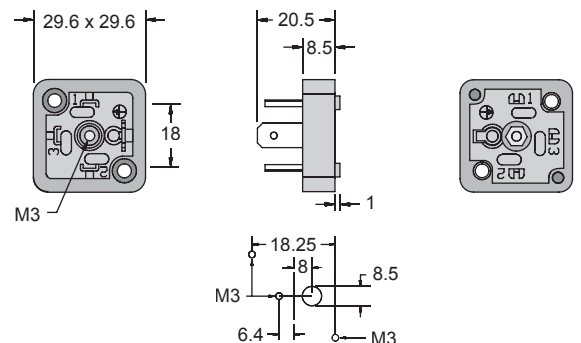


P10121 ISO Male for 2 Hole Plate Mounting

This plate mount DIN 43650 Form "A" / ISO 4400, EN175301-803:2000 male connector is offered in either 2+ or 3+ ground versions. Easy to install using the template in the dimensional data. The P10121 connector is designed to mate with Series 5000 or other DIN 43650 Form "A" / ISO 4400, EN175301-803:2000 female connectors.

Features

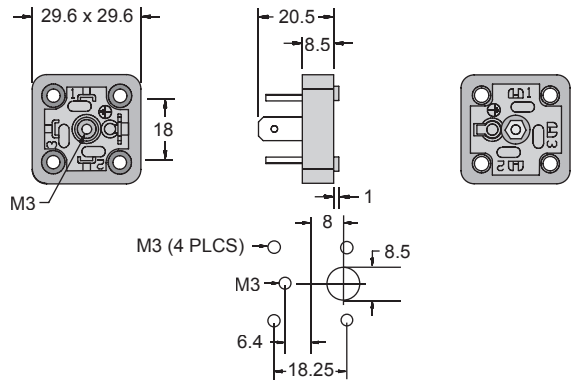
- DIN 43650 Form "A" / ISO 4400, EN175301-803:2000 configuration
- 2+ or 3+ Ground versions
- 250V AC/DC max.
- 10 Amps max. rating
- Glass Fiber Reinforced Nylon
- Nitrile Gasket
- Temp. rating -25° to +90° C
- Panel mounting screws provided



This plate mount DIN 43650 Form "A" / ISO 4400, EN175301-803:2000 male connector is offered in either 2+ or 3+ ground versions. Easy to install using the template in the dimensional data. The P10122 connector is designed to mate with Series 5000 or other DIN 43650 Form "A" / ISO 4400, EN175301-803:2000 female connectors.

Features

- DIN 43650 Form "A" / ISO 4400, EN175301-803:2000 configuration
- 2+ or 3+ Ground versions
- 250V AC/DC max.
- 10 Amps max. rating
- Glass Fiber Reinforced Nylon
- Nitrile Gasket
- Temp. rating -25° to +90° C
- For high vibration, mobile applications
- Panel mounting screws provided

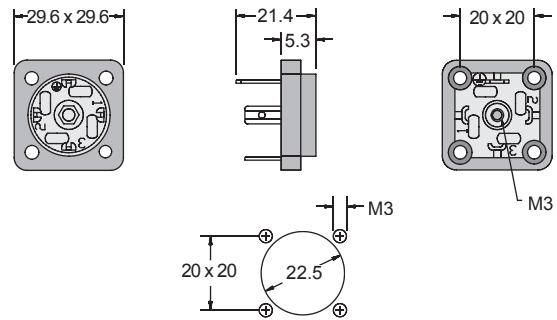


M
5

This DIN 43650 Form "A" / ISO 4400, EN175301-803:2000 male connector is specifically designed for mounting in sheet metal. It has an arc over insulating plastic ridge and includes a gasket and four mounting screws. The P10222 connector is designed to mate with Series 5000 or other DIN 43650 Form "A" / ISO 4400, EN175301-803:2000 female connectors.

Features

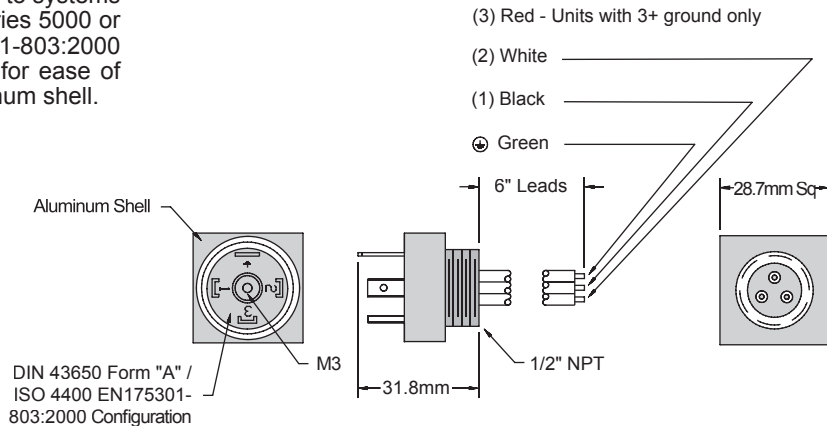
- DIN 43650 Form "A" / ISO 4400, EN175301-803:2000 configuration
- 2+ or 3+ Ground versions
- 250V AC/DC max.
- 10 Amps max. rating
- Glass Fiber Reinforced Nylon
- Nitrile Gasket
- Temp. rating -25° to +90° C



This male DIN 43650 Form "A" / ISO 4400, EN175301-803:2000 connector is specifically designed to attach to systems with 1/2" conduit connections and mate with Series 5000 or other DIN 43650 Form "A" / ISO 4400, EN175301-803:2000 female connectors. These units are pre-wired for ease of installation and epoxy encapsulated in an aluminum shell.

Features

- DIN 43650 Form "A" / ISO 4400, EN175301-803:2000 configuration
- 2+ or 3+ Ground versions
- 1/2" NPTF Male Thread Connection
- 18 Gauge Wire Standard (6" leads)
- 250V AC/DC max.
- 10 Amps max. rating
- Temp. rating -40° to +105° C



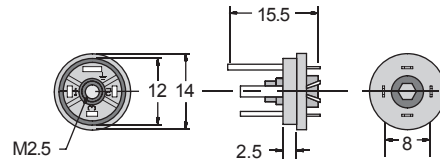
3 plus ground version shown. 2 plus ground version available.

P20020 Sub-Micro 8mm Male for Molding

This Sub-Micro 8mm male connector is designed as a small electrical interface that can be molded into other products creating an environmentally protected quick connect interface. The P20020 male connector is designed to mate with Series 5000 8mm female connectors.

Features

- 2+ or 3+ Ground versions
- 8mm Centers
- Glass Fiber Reinforced Nylon
- 250V AC/DC max.
- 6 Amps max. rating
- Temp. rating -40° to +125° C

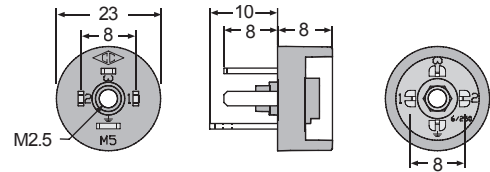


P20420 Sub-Micro 8mm Press In Mounting

This Sub-Micro 8mm male connector is designed to press into a hole as a means of mounting. The P20420 connector is built to mate with Series 5000 8mm center female connectors.

Features

- 2+ or 3+ Ground versions
- 8mm Centers
- Glass Fiber Reinforced Nylon
- 250V AC/DC max.
- 6 Amps max. rating
- Temp. rating -40° to +125° C



Drill a 57/64" hole and press in.
Recommended minimum material thickness is 1/4"

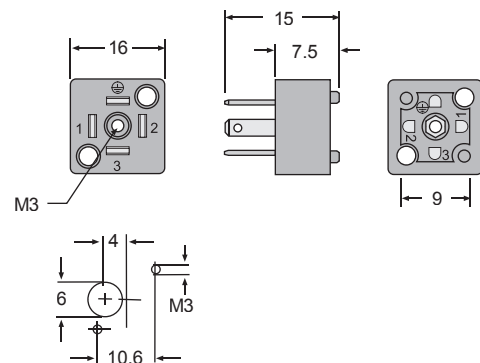
M
5

P30120 Sub-Micro 9.4mm Male for Plate Mounting

This Sub-Micro 9.4mm male plate mount connector is offered in either 2+ or 3+ ground versions. Easy to install using the template in the dimensional data. The P30120 connector is built to mate with Series 5000 9mm center female connectors.

Features

- 2+ or 3+ Ground versions
- 9.4mm Centers
- Glass Fiber Reinforced Nylon
- 250V AC/DC max.
- 6 Amps max. rating
- Nitrile gasket
- Temp. rating -40° to +125° C



M 5 □ □ □ □ □ □ - □ 0 0

- Connector Type**
- A10620 - MINI Female to ISO Male*
 - M03010 - MINI for Molding
 - M03110 - MINI for Plate*
 - P10020 - ISO for Molding
 - P10121 - ISO for Plate 2 Hole
 - P10122 - ISO for Plate 4 Hole
 - P10222 - ISO for Sheet Metal
 - P10500 - ISO for 1/2" Conduit
 - P20020 - Sub-Micro 8mm Molding
 - P20420 - Sub-Micro 8mm Press In
 - P30120 - Sub-Micro 9.4mm for Plate Mount

Contacts
 2 - 2+ ground
 3 - 3+ ground

* 2+ Ground Terminals Only

Ordering Example:

M5P10222-300

Model P10222 ISO Male Connector for Sheet Metal with 3+ ground terminals.

Each connector kit contains all mounting hardware.

The Perfect Match for a Canfield Male Connector is a Canfield FEMALE Connector!

SERIES 5F and Series 5J
 Molded One-Piece Cord Sets
 (pages 12 - 15)

ISO Strain Relief
 DIN 43650 Form "A" / ISO 4400,
 EN175301-803:2000



Standard MINI



Sub-Micro 8mm /
 DIN 43650 Form "C",
 EN175301-803:2000 or
 Standard Sub-Micro 9.4mm



SERIES 5000 (pages 4 - 11) and
 Series P5600 (pages 20 - 22)
 Field Wireable / Pre-Wired
 Lighted / Unlighted